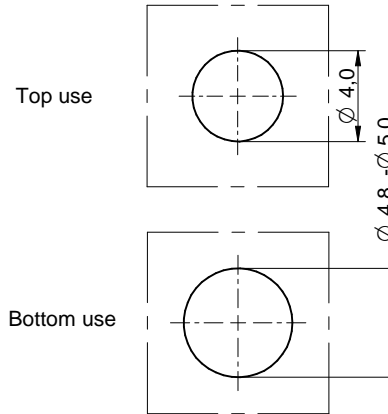
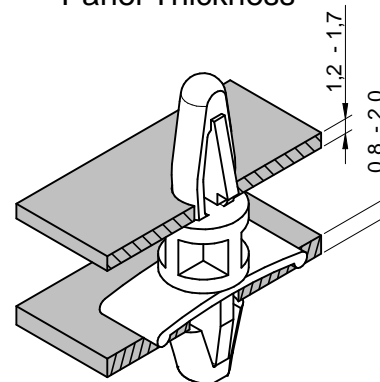


### Hole Pattern



### Panel Thickness



Order Code	L (mm)
709400500	3.5 ± 0.2
709401000	4.8 ± 0.2
709401500	6.0 ± 0.3
709402000	6.4 ± 0.3
709402500	7.9 ± 0.3
709403000	9.5 ± 0.3
709403500	11.1 ± 0.3
709404000	12.7 ± 0.3
709404500	15.9 ± 0.3
709405000	19.1 ± 0.3
709405500	22.2 ± 0.4
709406000	25.4 ± 0.4
709406500	28.6 ± 0.4
709407000	31.7 ± 0.4
709407500	34.9 ± 0.4

Operating Temperature: -30°C up to +85°C  
Flammability according to: UL94 V-2

				Würth Elektronik eiSos GmbH & Co. KG EMC & Inductive Solutions	CREATED DaF	CHECKED SKI	GENERAL TOLERANCE DIN ISO 2768-1m	PROJECTION METHOD		SIZE A4
				Max-Eyth-Str. 1 74638 Waldenburg Germany com. +49 79 42 945 - 0	DESCRIPTION <b>AsSNSN Snap-on stop spacer</b>			TECHNICAL REFERENCE	MATERIAL Nylon 66, nature	
				www.we-online.de eiSos@we-online.de	SIZE xxx xxx xxx	WEIGHT	STATUS Released	ORDER CODE 70940xxxx	DATE 2017-03-21	BUSINESS UNIT eiCan
REV.	FILE	DATE	BY							PAGE 1 / 1

