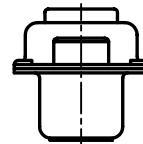
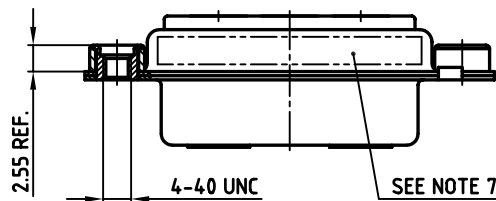
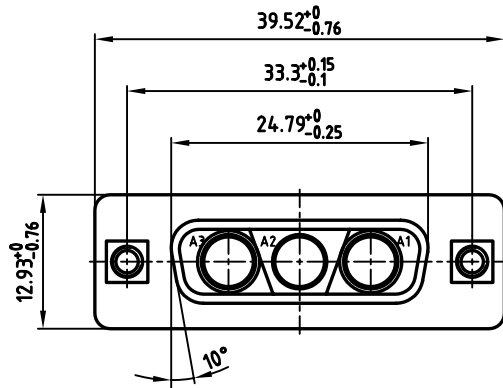
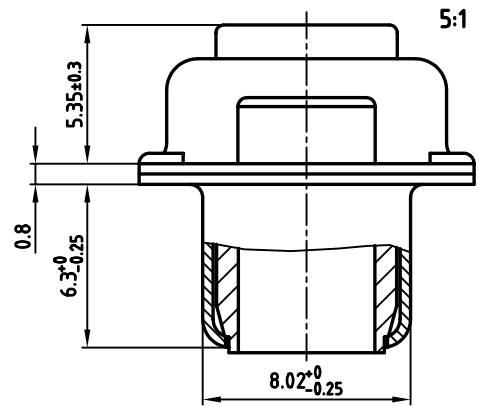


used for: D-SUB COMBINATION



NOTES:

1. METALSHELLS: STEEL; min. 320µ" TIN
2. INSULATORS: PBT GF UL 94 V-0, GREEN
3. NO CONTACTS ON POS. A1-A3
4. THREADED INSERT: COPPER ALLOY; min. 200µ" TIN over 80µ" NICKEL
5. COLLAR: COPPER ALLOY; min. 200µ" TIN over 80µ" NICKEL
6. MAXIMUM TORQUE VALUE FOR THREAD: 6" LBS
7. CONNECTOR IS PART MARKED: 303W3CSXX99A30X CONEC ABC



APPROVAL # FREIGABE # DEBLOCAGE # AUTORIZACION # APPROVAL	
CUSTOMER APPROVAL DATE:	
NAME:	TITLE:
COMPANY NAME:	
APPROVAL # FREIGABE # DEBLOCAGE # AUTORIZACION # APPROVAL	

THIS DRAWING MAY NOT BE COPIED OR REPRODUCED IN ANY WAY, AND MAY NOT BE PASSED ON TO A THIRD PARTY, WITHOUT WRITTEN PERMISSION. OWNERSHIP AND COPYRIGHT OF CONEC GmbH. DO NOT ALTER CAD DRAWING BY HAND

rev.	description	date	name
a	Origin		

tolerance		dim. in mm
2006	date	
drawn	09.02.	name
appd.	09.02.	Mickenbecker
norm		
d-old		

scale:	2:1 (5:1)	
material:	SEE NOTES	
title:	D-SUB COMBINATION FEMALE 3W3CS with threaded insert	
dwg no:	AutoCAD 2004	DIN-A
	13K1A1716	3
		sh: 1/1
part no:	303W3CSXX99A30X	

