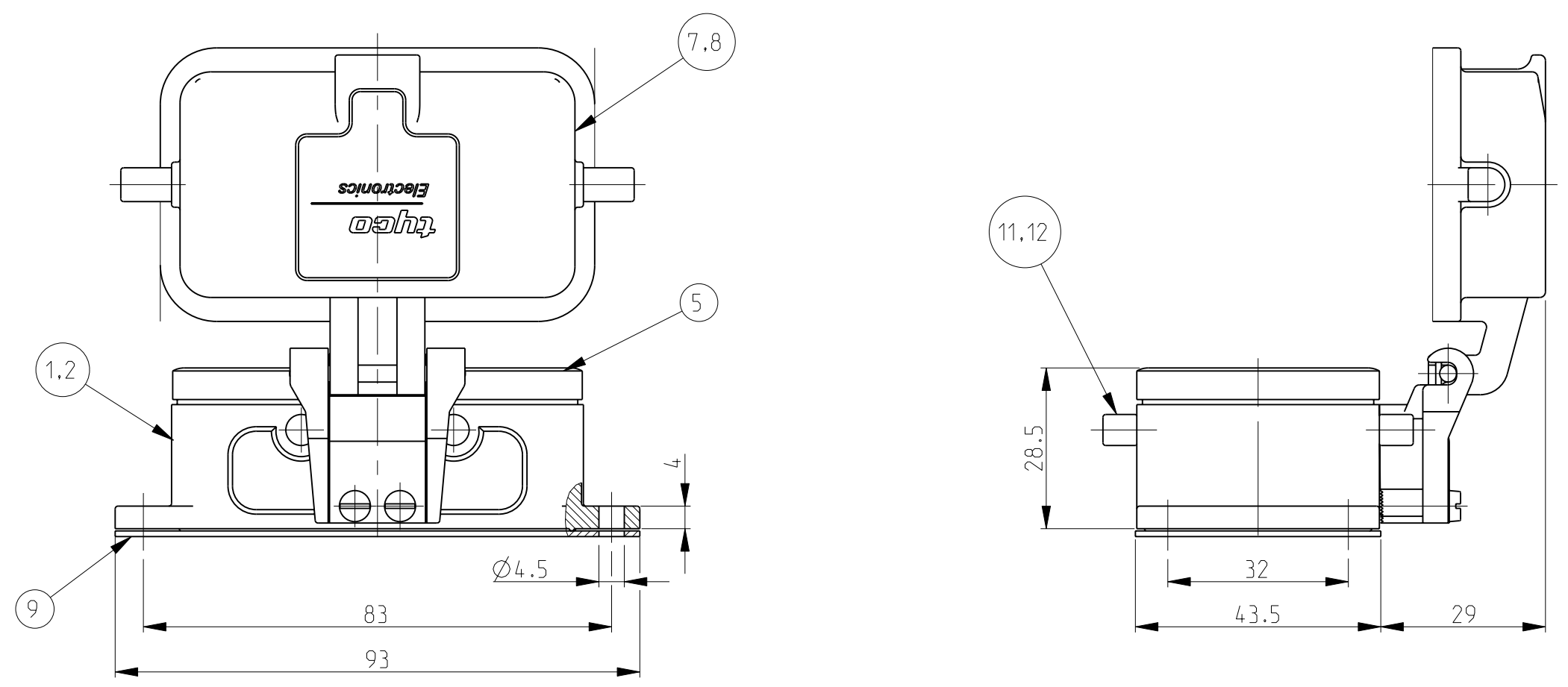
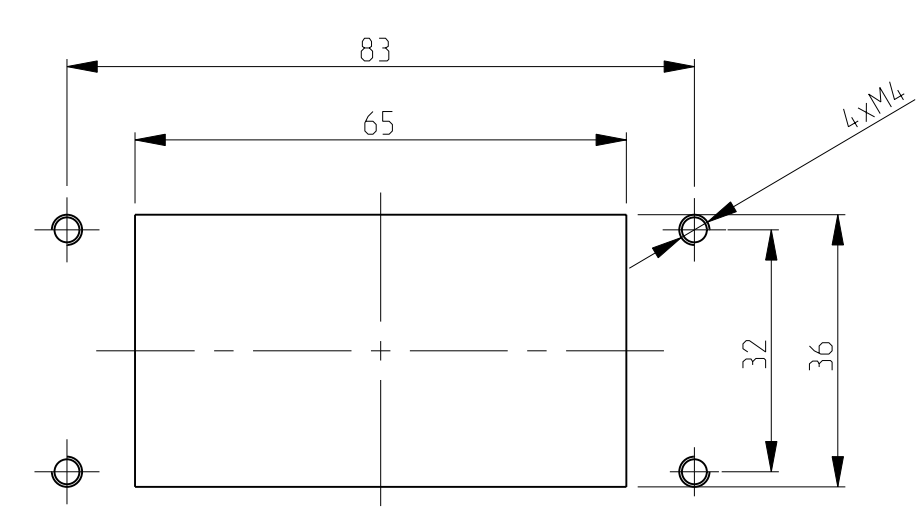


LOC	DIST	REVISIONS			
P	LTB	DESCRIPTION	DATE	DWN	APVD
A8		ECR-09-015566	10 JUL 2009	SR	GW

PN 1-6, 2-6 & 0-3

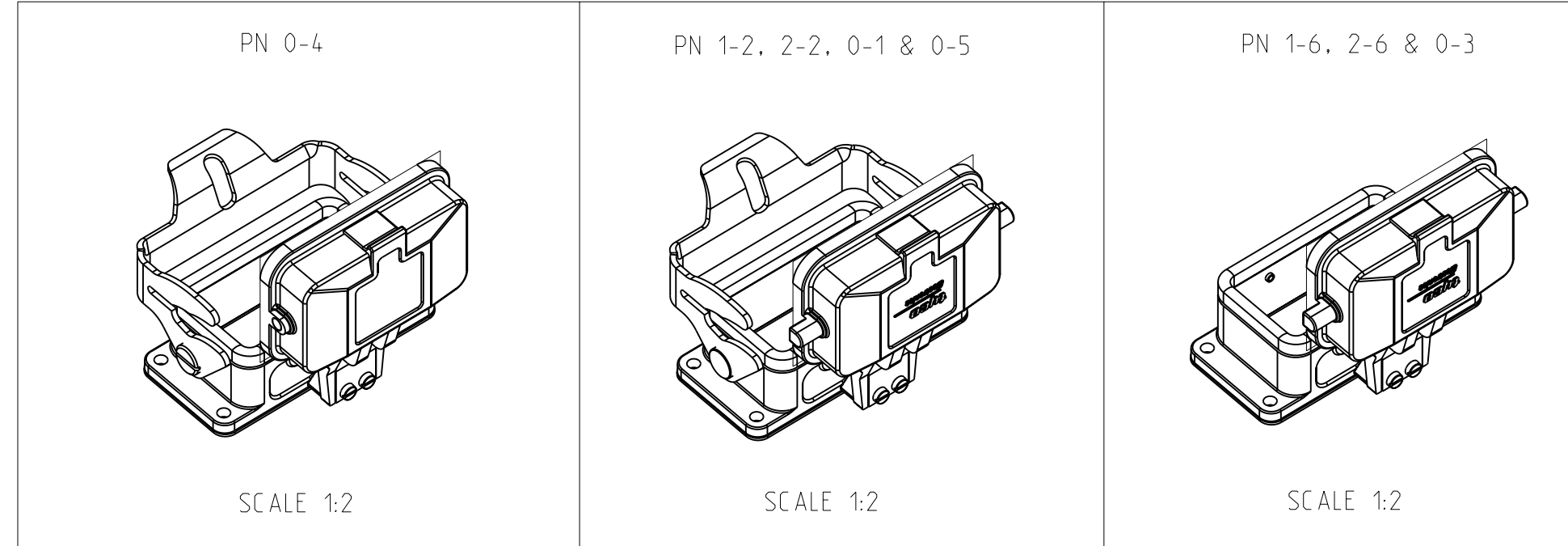
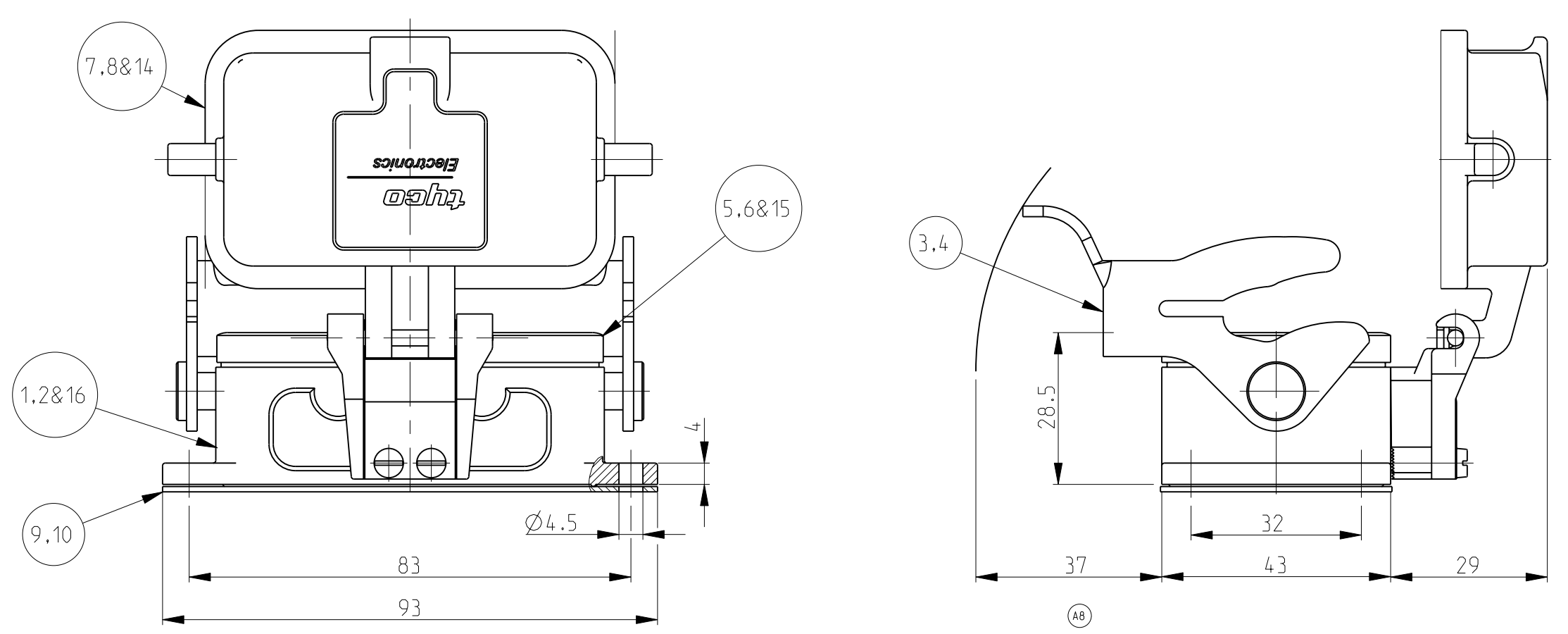


PANEL-CUT OUT

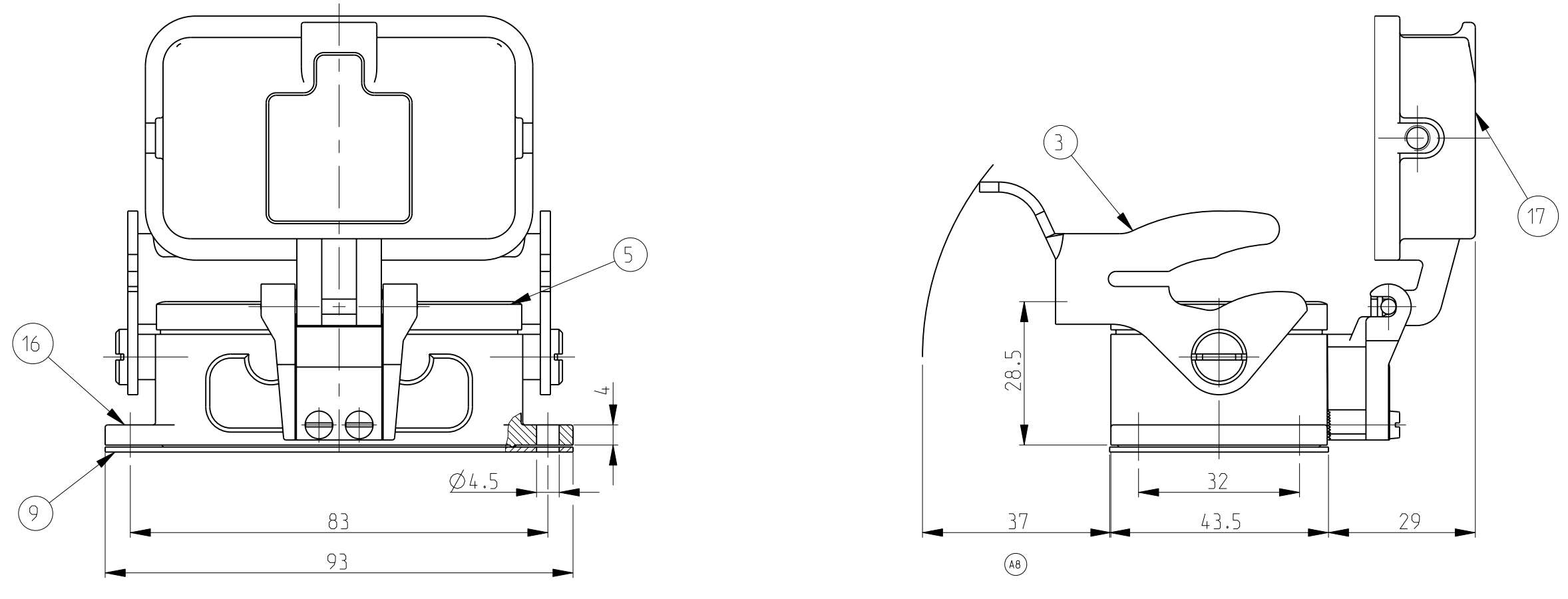


- NOTES
- Material : Housing : Aluminium diecasting alloy
  - Surface: Varnisch-Black  
 -Aluminium oxide-Varnisch black  
 -ChromitAl TCP-Passivation  
 -Grey
  - Varnisch on the inside not necessary
  - Packaging  
 Quantity 5 pieces in a box

PN 1-2, 2-2, 0-1 & 0-5



PN 0-4



QTY	DESCRIPTION	MATERIAL	SURFACE	COLOR	ITEM NO	NOTES
1	Cover	Aluminium		Grey (4)	17	
1	Surface mounted housing bottom entry HB	Aluminium		Grey (4)	16	
1	Profile seal	Neoprene		Black	15	Conductive
1	Cover	Aluminium	SEE NOTE (A)	Black	14	
1	Surface mounted housing bottom entry HB-EMV	Aluminium	SEE NOTE (A)	Black	13	
	Clip bolt	Stainless steel		Blank	12	
	Clip bolt	Steel	Zinc plated	Blue	11	
	Flange seal	Viton		Black	10	
1	Flange seal	Neoprene		Black	9	
1	Cover	Aluminium	Aluminium oxide	Black	8	
	Cover	Aluminium		Grey	7	
	Profile seal	Viton		Grey	6	
1	Profile seal	Neoprene		Black	5	
1	LB-Side clip	Stainless steel		Blank	4	
1	LB-Side clip	Steel	Zinc plated	Blue	3	
1	Surface mounted housing bottom entry HB-K	Aluminium	Aluminium Oxide	Black	2	
1	Surface mounted housing bottom entry HB	Aluminium		Grey	1	

QTY	DESCRIPTION	MATERIAL	SURFACE	COLOR	ITEM NO	NOTES						
0-5	0-4	0-1	2-6	1-6	2-2	1-2	DESCRIPTION	MATERIAL	SURFACE	COLOR	ITEM NO	NOTES
HB-10-AGD-LB	HB-EMV-10-AGD-LB	HB-K-10-AGD-LB-V	HB-K-10-AGD	HB-10-AGD	HB-K-10-AGD-LB	HB-10-AGD-LB	ORDERING TEXT					

DIMENSIONS: mm 	TOLERANCES UNLESS OTHERWISE SPECIFIED: DIMENSION METHOD: 0 FRACTIONAL ± 1 DECIMAL ± 2 DECIMAL ± 3 DECIMAL ± 4 DECIMAL ± ANGLES ±	DWN: 18.05.2000 CKE: 18.05.2000 NAME: Schneider PRODUCT SPEC: APPLICATION SPEC: WEIGHT: CUSTOMER DRAW ING	Tyco Electronics AMP GmbH 0-53819-Neunkirchen, Germany NAME: Surface mounted housing bottom entry HB.10.AGD SIZE: A1 CAGE CODE: 00779 DRAWING NO: C=1102283 SCALE: 1:1 SHEET: 1 OF 1 REV: A8
-----------------------	---	---	--