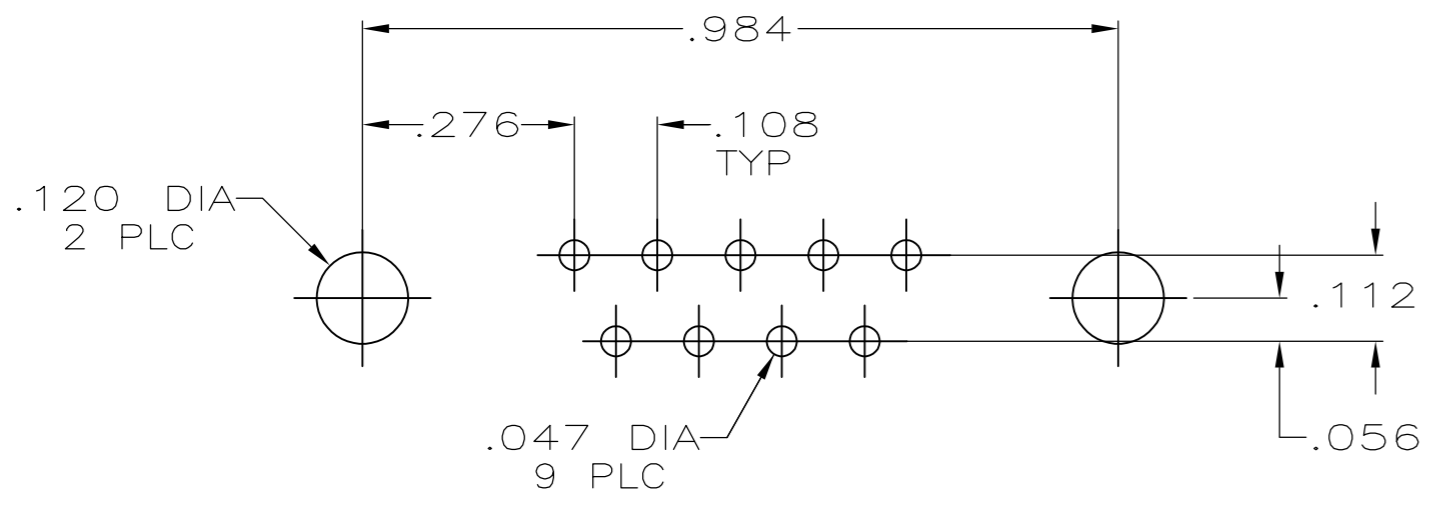
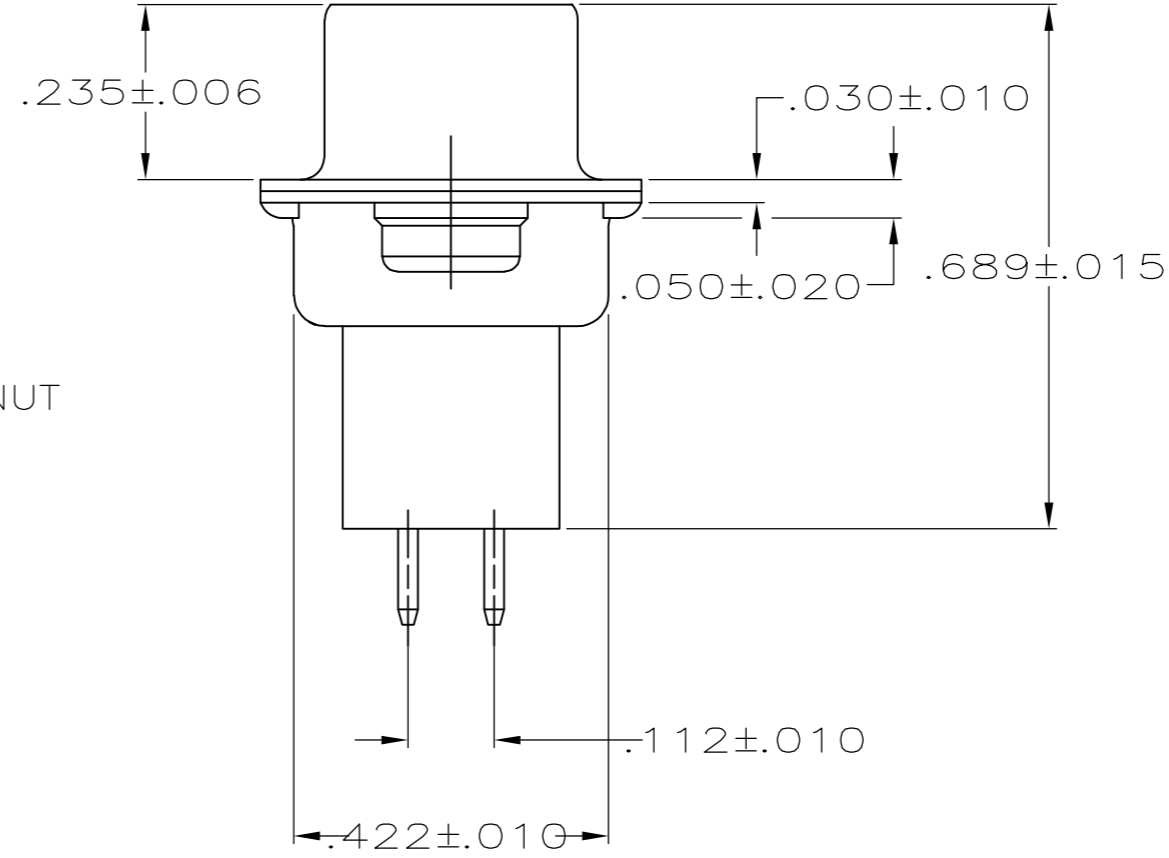
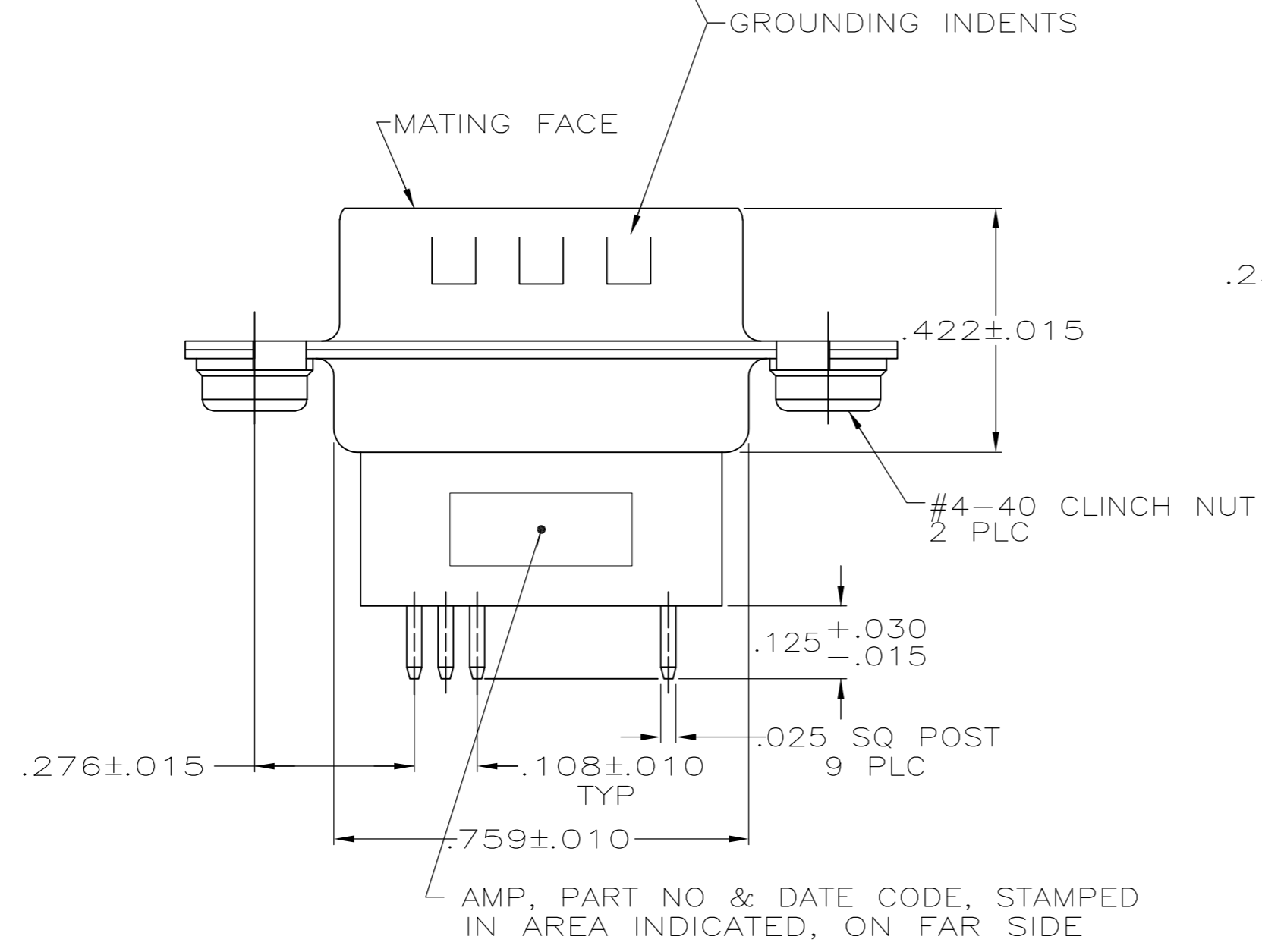
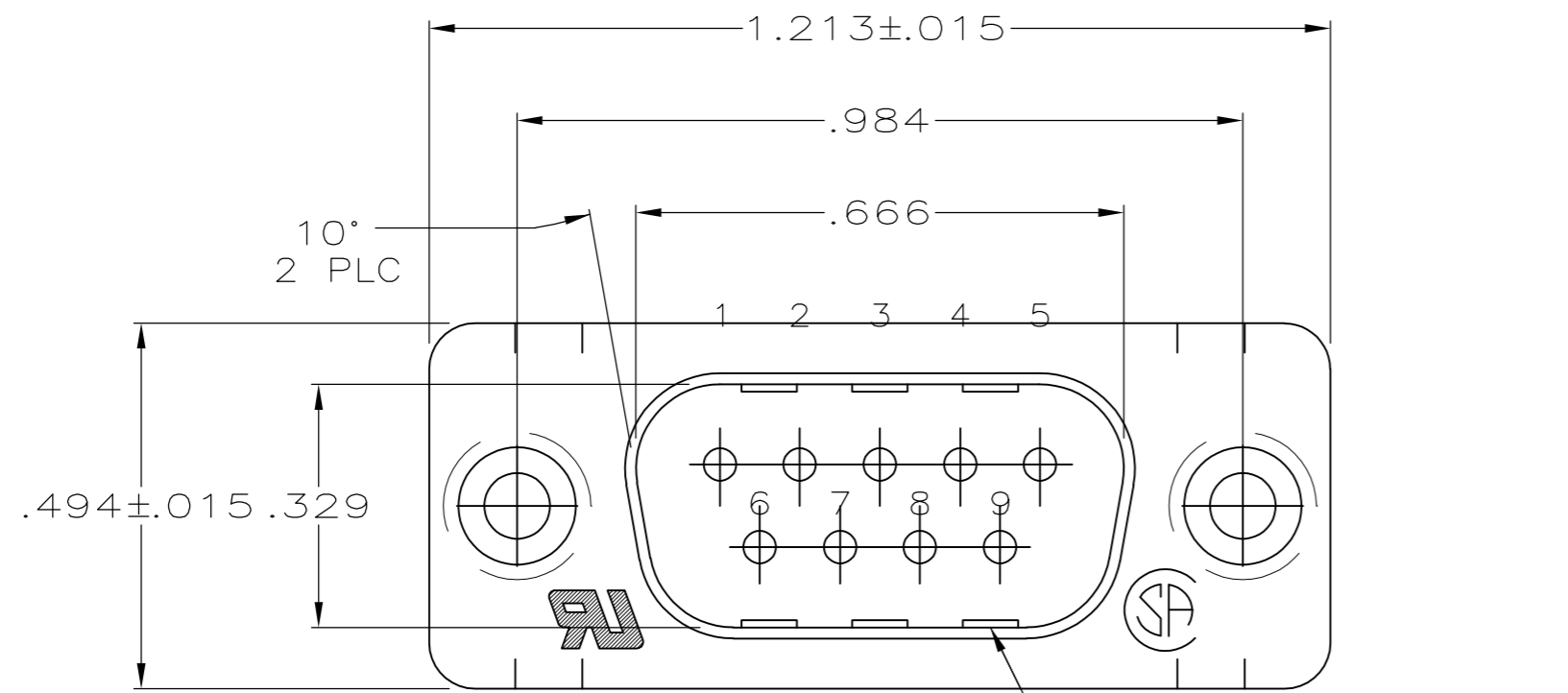


THIS DRAWING IS UNPUBLISHED. RELEASED FOR PUBLICATION
 © COPYRIGHT BY TYCO ELECTRONICS CORPORATION. ALL RIGHTS RESERVED.

LOC		DIST		REVISIONS			
P	LTR	DESCRIPTION		DATE	DWN	APVD	
GP	00	E		REVISED PER ECO-10-000073	15FEB2010	CR	SB



PC BOARD MOUNTING DIMENSIONS

1. NOTE DELETED.

- ⚠ MOLDDED PARTS: FLAME RETARDANT 94V-0 RATED GLASS FILLED NYLON OR POLYESTER, BLACK;
 CONTACTS: BRASS;
 SHELLS: STEEL;
 CLINCH NUTS: STEEL;
- ⚠ SHELLS: .000200 MIN TIN OVER .000100 MIN COPPER.
 CLINCH NUTS: .000300 MIN ZINC WITH CLEAR CHROMATE COATING.
- ⚠ GOLD PLATED FOR A LENGTH OF .150 FROM MATING END, .000030 MIN GOLD IN MATED AREA, .000100-.000200 TIN OR TIN-LEAD ON SOLDER END, ALL OVER .000050 MIN NICKEL ON ENTIRE CONTACT.
 -OR-
 GOLD FLASH OVER PALLADIUM-NICKEL PLATED FOR LENGTH OF .150 FROM MATING END, .000030 MIN TOTAL IN MATED AREA, .000100-.000200 TIN OR TIN-LEAD ON SOLDER END, ALL OVER .000050 MIN NICKEL ON ENTIRE CONTACT.

THIS DRAWING IS A CONTROLLED DOCUMENT.		DWN	L.SIPE	8-30-88	Tyco Electronics Corporation Harrisburg, PA 17105-3608		
DIMENSIONS: INCHES		CHK	W.LENKER	8-31-88			
TOLERANCES UNLESS OTHERWISE SPECIFIED:		APVD	C. ROHDE	9-2-88			
0 PLC ± - 1 PLC ± - 2 PLC ± - 3 PLC ± .005 4 PLC ± - ANGLES ± 2°		PRODUCT SPEC	108-40025				
MATERIAL	⚠	FINISH	⚠	114-40013	NAME	PLUG ASSEMBLY, SIZE 1, 9 POSN, VERTICAL, W/ GROUNDING INDENTS & CLINCH NUTS, AMPLIMITE® HDP-20	
CONTACTS: SEE TABLE		WEIGHT	-		SIZE	A2	RESTRICTED TO
CUSTOMER DRAWING		SCALE	4:1		CAGE CODE	00779	DRAWING NO
		SHEET	1 of 1		DRAWING NO	C=749014	
		REV	E				

749014