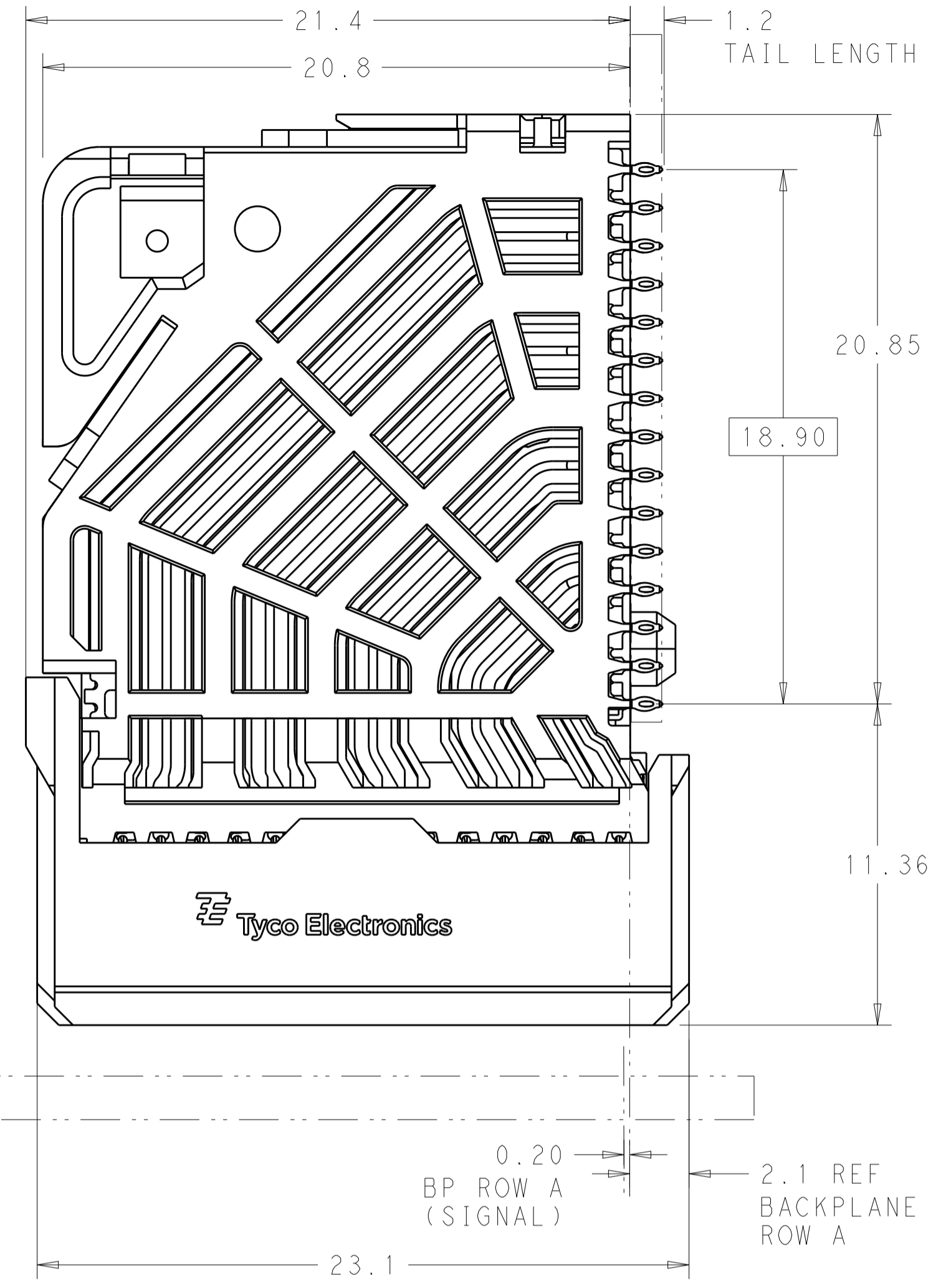
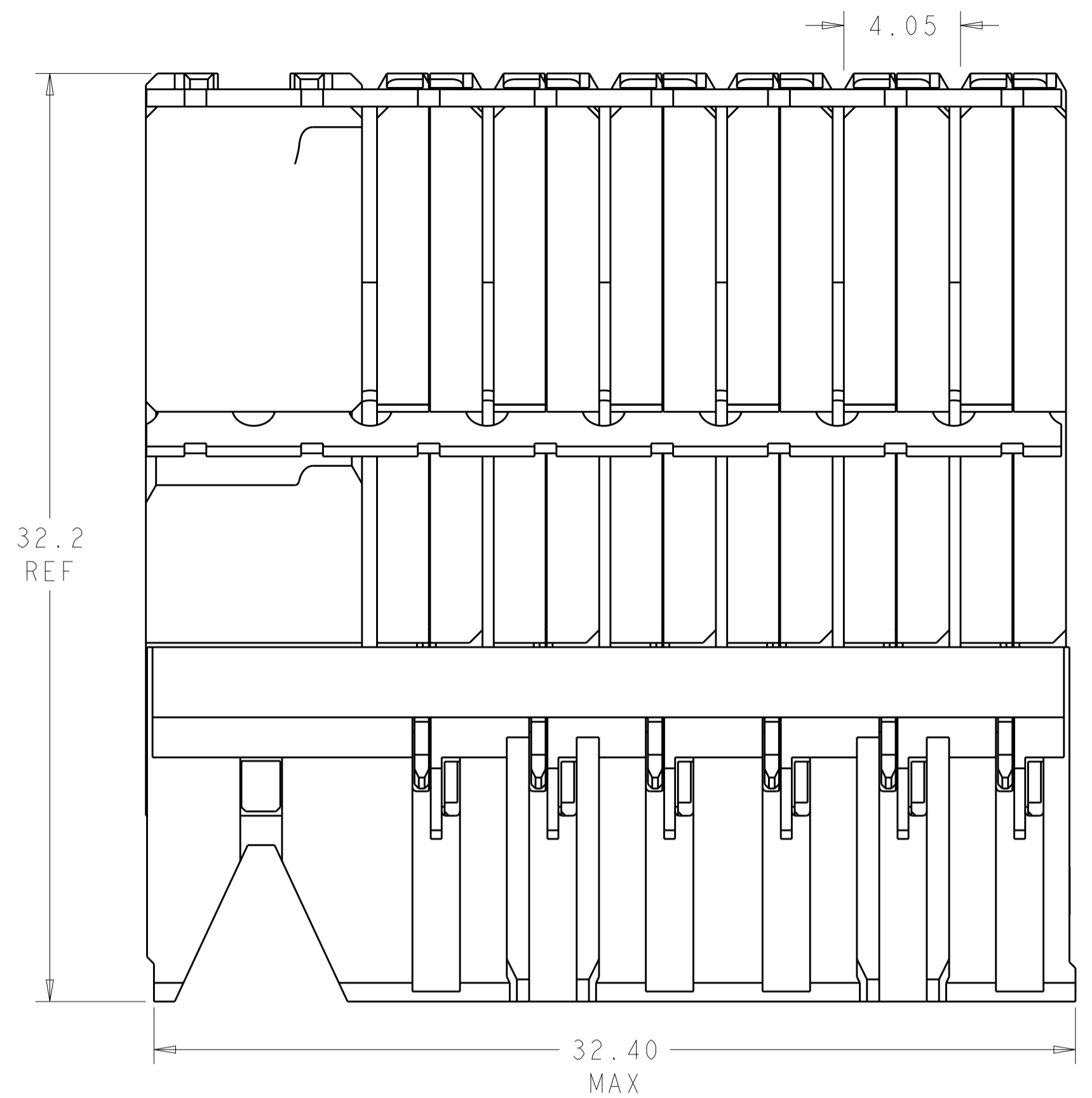
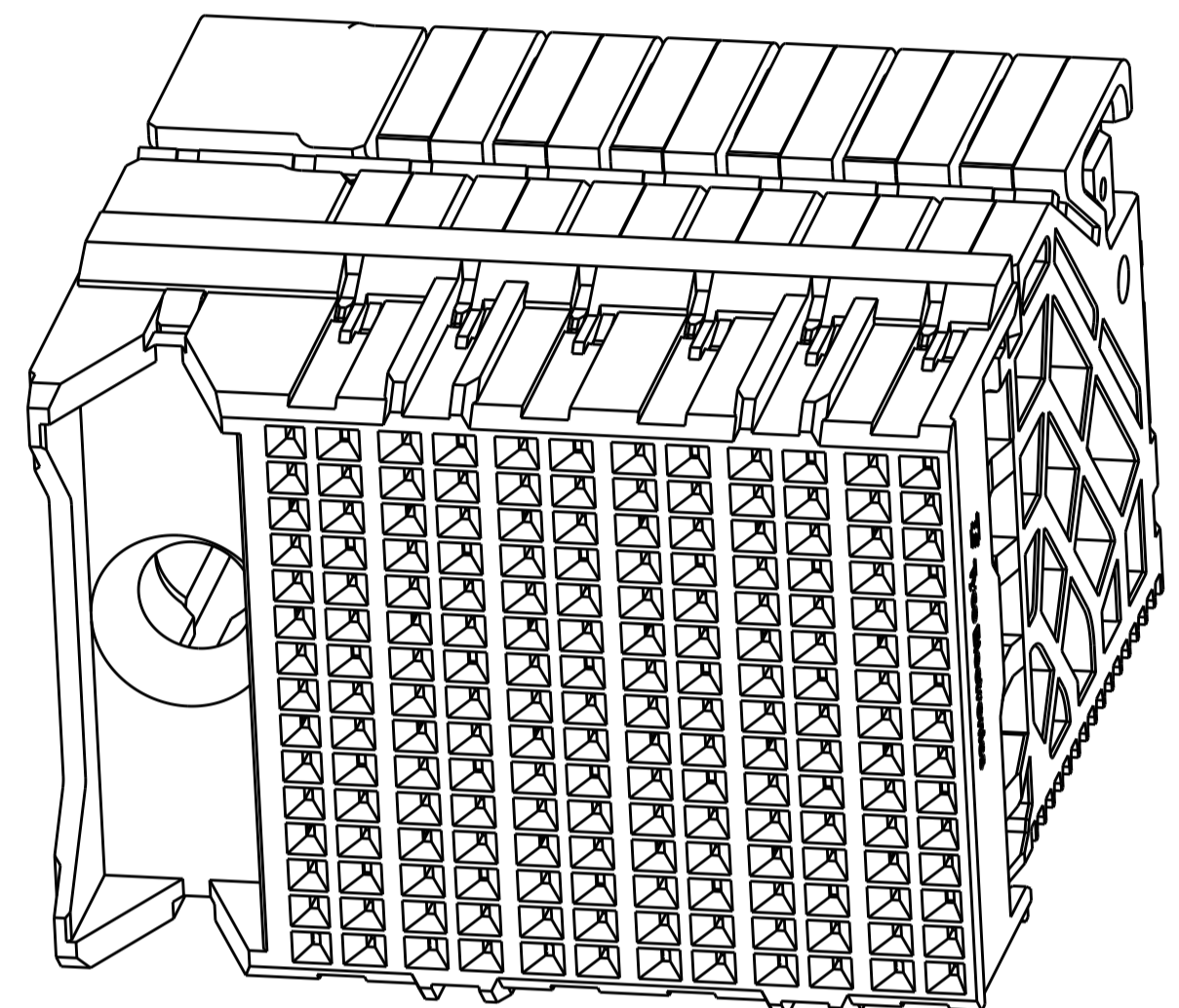


LOC		DIST		REVISIONS			
AD	00	P	LTN	DESCRIPTION	DATE	DWN	APVD
		B2		REVISED PER ECO-15-004915	10APR2015	AP	DD

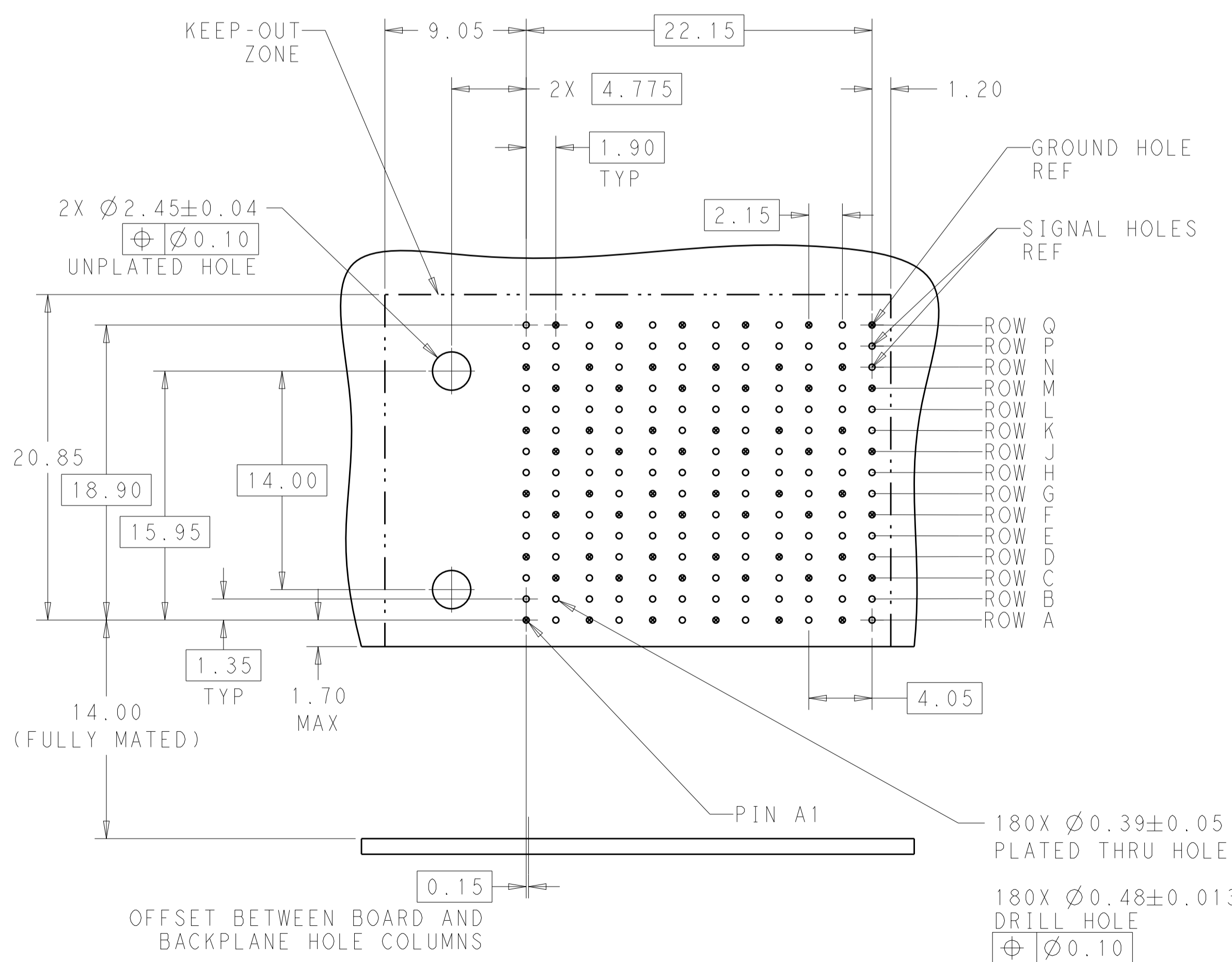
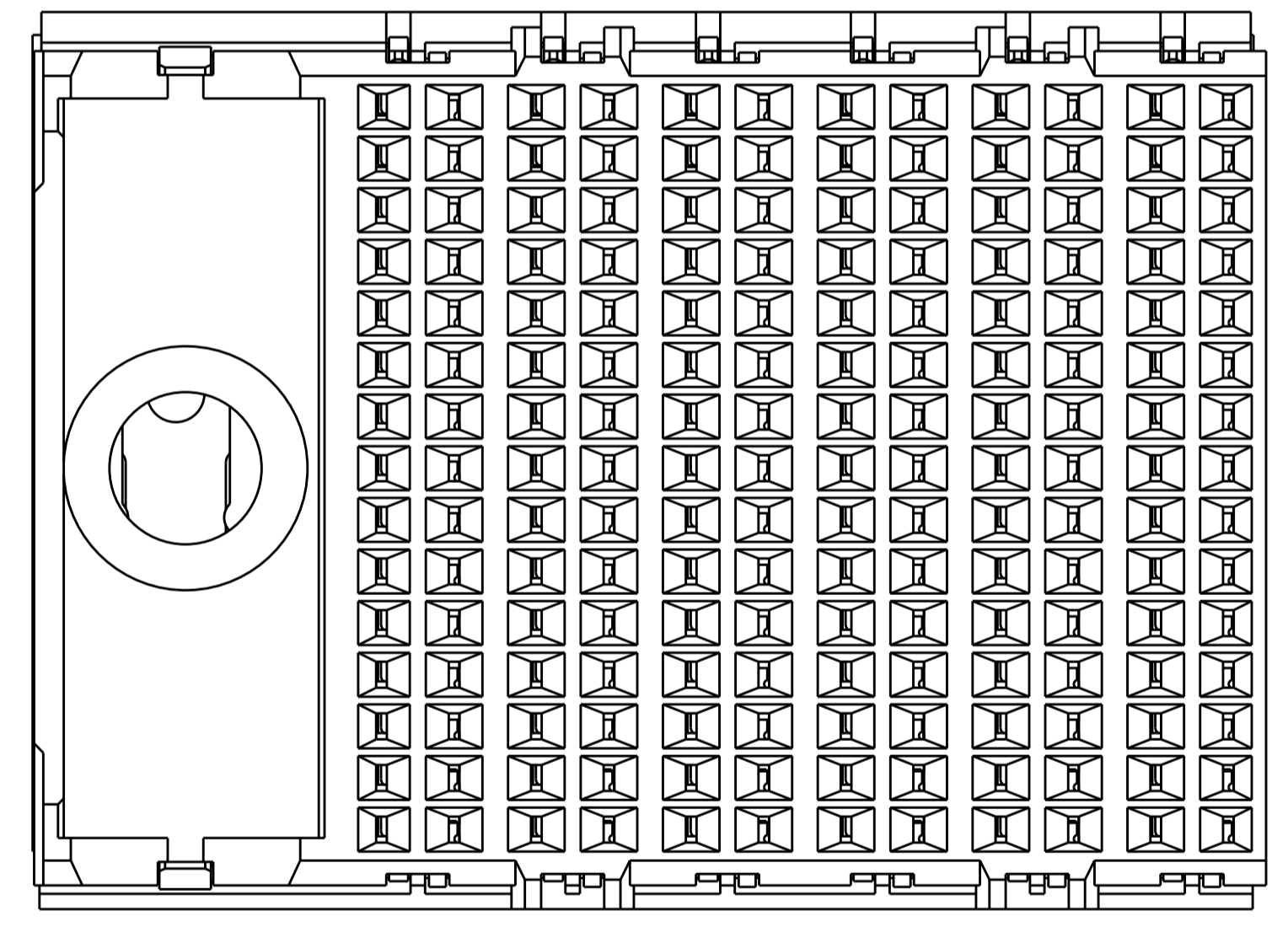


- MATERIAL:
HOUSING: LCP, GLASS FILLED, UL94V-0.
TERMINALS: HIGH PERFORMANCE COPPER ALLOY.
- FINISH:
30µ" SELECTIVE GOLD IN CONTACT AREA. SELECTIVE TIN ON PCB TAILS, NICKEL OVERALL.
- CONNECTORS SUPPLIED WITH MOUNTING SCREWS.



SCALE 4:1

REFER TO WWW.TE.COM FOR PRODUCT AVAILABILITY



20.85

18.90

15.95

14.00

1.35 TYP

1.70 MAX

14.00 (FULLY MATED)

OFFSET BETWEEN BOARD AND BACKPLANE HOLE COLUMNS

RECOMMENDED PCB LAYOUT
MIN BOARD THICKNESS 1.0

NONE	△	2132696-1
KEY POSITION	FINISH	PART NUMBER
STE TE Connectivity		
DWN: 29APR2011 CHK: D. DIXON 29APR2011 APVD: D. DIXON 29APR2011		NAME: IMPACT, ORTHOGONAL, 5 PAIR, DAUGHTERCARD, 12 COLUMN, LEFT GUIDED, SIGNAL MODULE, 0.39 EYELET
DIMENSIONS: mm 0 PLC ±0.25 1 PLC ±0.15 2 PLC ±0.15 3 PLC ±0.15 4 PLC ±0.15 ANGLES ±0.15		SIZE: A1 CAGE CODE: 00779 DRAWING NO: 2132696
MATERIAL: SEE TABLE		RESTRICTED TO: -
Customer Drawing		SCALE: 6:1 SHEET 1 OF 1 REV: B2