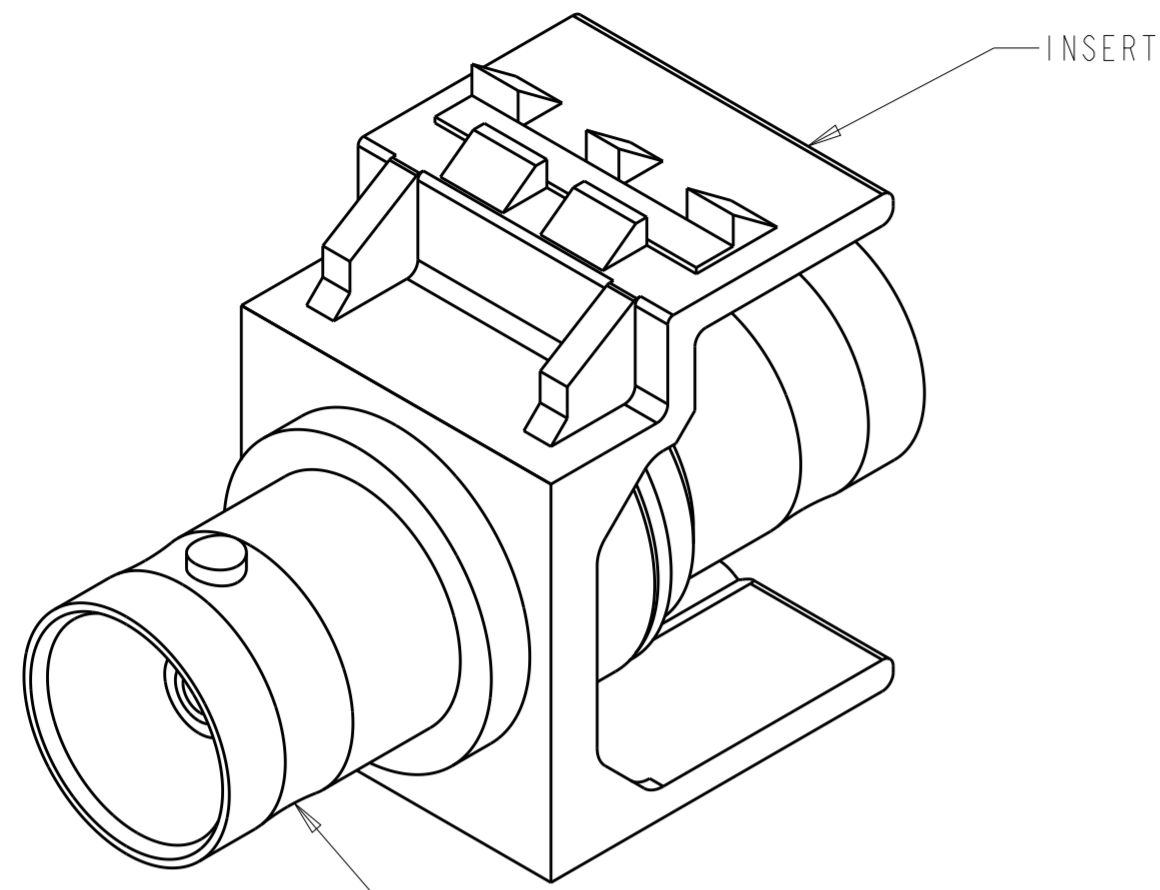
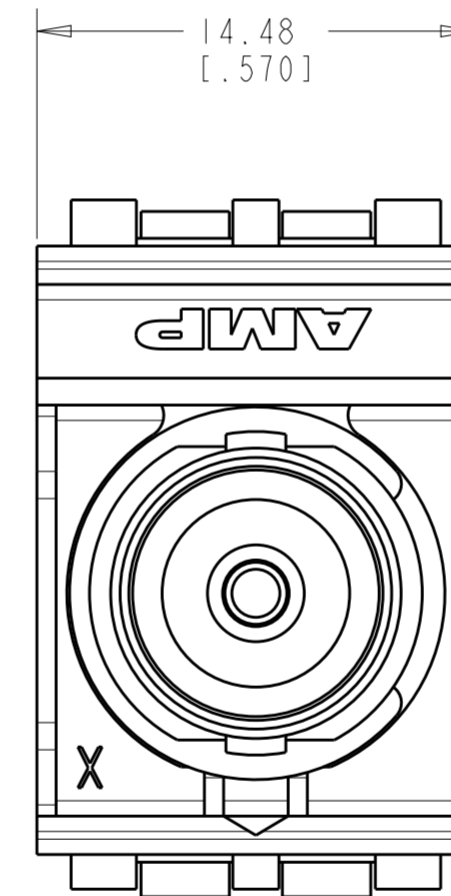
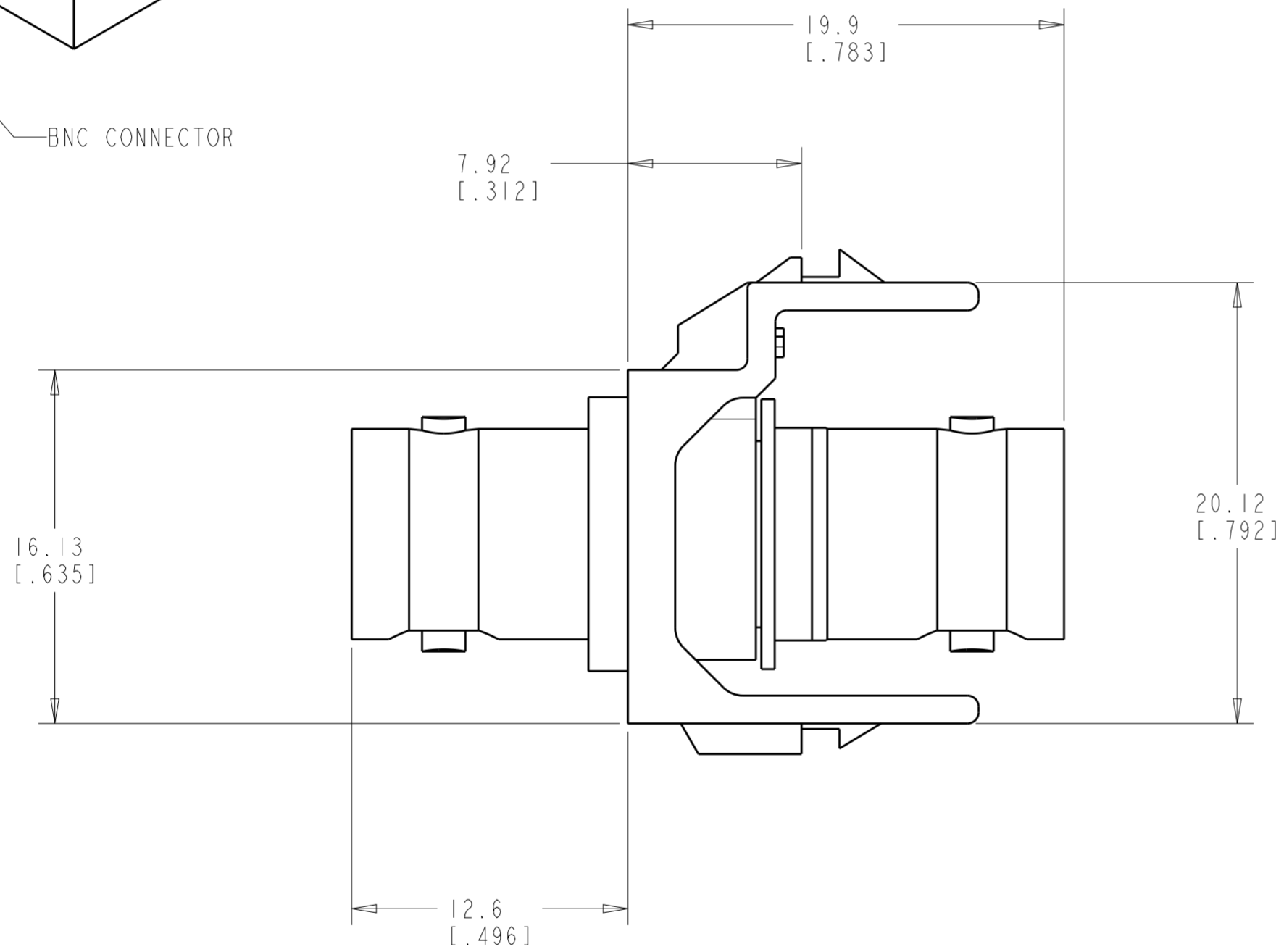


THIS DRAWING IS UNPUBLISHED. RELEASED FOR PUBLICATION
 © COPYRIGHT 20 BY - ALL RIGHTS RESERVED.

LOC	DIST	REVISIONS					
HM	00	P	LTR	DESCRIPTION	DATE	DWN	APVD
		A		RLSD; ECO-12-021107	03DEC2012	GG	RA



MATERIAL:
 INSERT: POLYCARBONATE MOLDING COMPOUND. SEE TABLE FOR COLOR.
 BNC BARREL: BRASS, PLATED WITH 1.77 um (70 uin) THICK NICKEL.
 INSULATOR: DERLIN, WHITE
 CONTACT PIN: BRASS, PLATED WITH 0.07 um (3 uin) THICK HARD GOLD OVER 1.77 um (70 uin) THICK NICKEL UNDERPLATE.
 LOCK RING: BRASS, PLATED WITH 1.77 um (70 uin) THICK NICKEL.
 C RING: STEEL S50C, HRC44-52 BLACKFAST.
ELECTRICAL:
 VOLTAGE RATING: AC 500V
 WITHSTANDING VOLTAGE: AC 1,500V ONE MINUTE.
 INSULATION RESISTANCE: 1,000MΩ MIN AT DC 500V
 CONTACT RESISTANCE: 3M Ω MAX AT DC 1A
 FREQUENCY RANGE: 0-4 GHz
 VSWR: 1.3MAX 0-1 GHz
 IMPEDANCE: 75Ω VERSIONS



ALPINE WHITE	1-2111615-3
BLACK	2111615-2
LT ALMOND	2111615-1
COLOR	PART NO

THIS DRAWING IS A CONTROLLED DOCUMENT.		DWN G. GARRETT 18OCT2012	TE Connectivity NAME KIT, BNC INSERT - SL SERIES			
DIMENSIONS: mm (INCHES)		CHK R. ASHBY 18OCT2012			SIZE	CAGE CODE
TOLERANCES UNLESS OTHERWISE SPECIFIED:		APVD R. ASHBY 18OCT2012			A2	00779
0 PLC ± 1 PLC ± 2 PLC ±.13 [.005] 3 PLC ± 4 PLC ± ANGLES ± FINISH		PRODUCT SPEC - APPLICATION SPEC - WEIGHT -			DRAWING NO C-2111615	RESTRICTED TO -
MATERIAL		Customer Drawing		SCALE 4:1 SHEET 1 OF 1 REV A		