

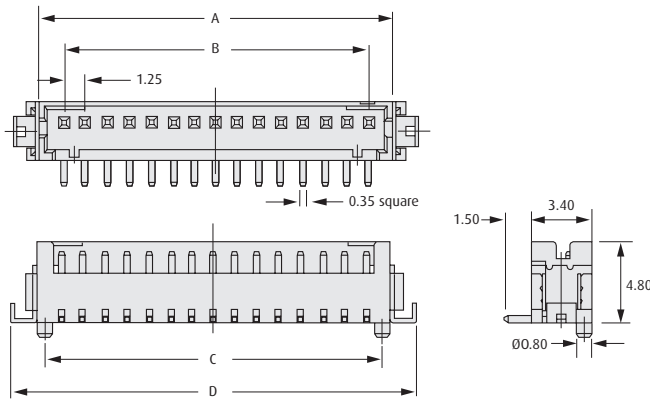
M30 Connectors

Male Vertical Surface Mount

- ❖ SMT, metal solder-down tabs.
- ❖ Suitable for use with connectors shown on page 87.
- ❖ Locating pegs to ensure correct positioning onto the board.

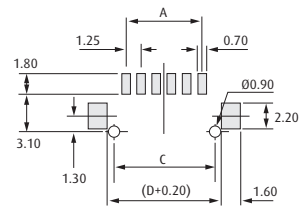
1.25mm (.049") PITCH

SINGLE ROW



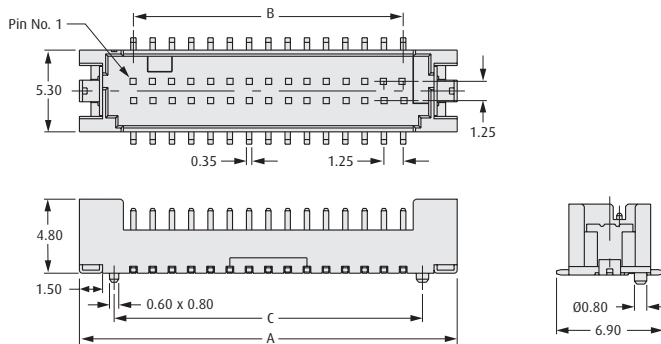
CALCULATION

A	$B + 2.9$
B	$1.25 \times (\text{No. of ways per row} - 1)$
C	$B + 2.1$
D	$B + 5.9$



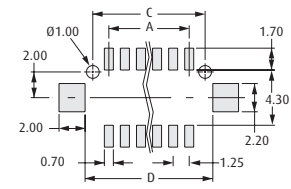
Recommended PC Board Pattern

DOUBLE ROW



CALCULATION

A	$B + 7.0$
B	$1.25 \times (\text{No. of ways per row} - 1)$
C	$B + 2.5$
D	$B + 3.7$



Recommended PC Board Pattern

HOW TO ORDER

M30 - 60 X XX XX

SERIES CODE

TYPE	
0	Single Row
1	Double Row

NO. OF WAYS PER ROW	
02 to 15	Single Row
10, 15, 20, 21	Double Row

FINISH	
46	Tin

www.harwin.com

All dimensions in mm.

