

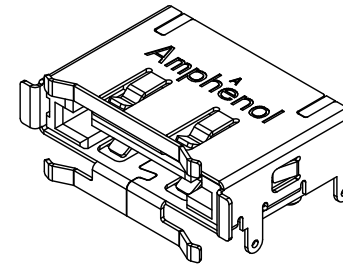
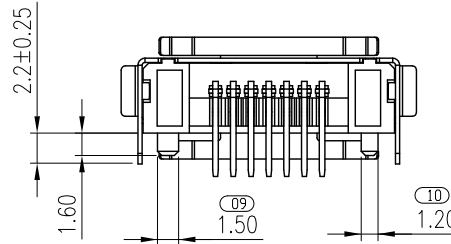
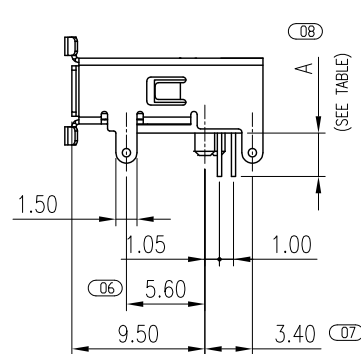
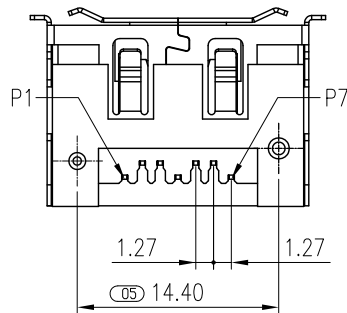
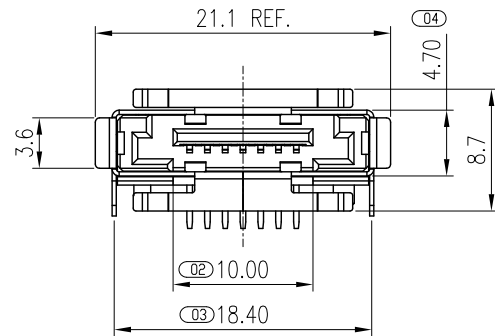
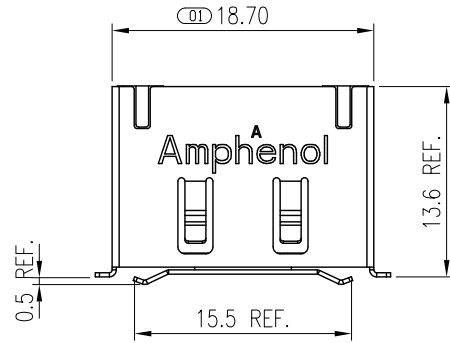
This document is the property of Amphenol Corporation and is delivered on the express condition that it is not to be disclosed, reproduced or used, in whole or in part, for manufacture or sale by anyone other than Amphenol Corporation without its prior consent, and that no right is granted to disclose or to use any information in this document.  
 The marking on this product doesn't contain environmental hazardous materials per Material Specification SS-00259 for Sony GP compliant or per directive 2011/65/EU for RoHS compliant.



# CUSTOMER DRAWING ORIGINAL



REVISIONS				
SYM	ECN No.	DESCRIPTION	DATE	BY
A	NE-13150	RELEASE TO PRODUCTION	09/10/2013	Chenny Yeh



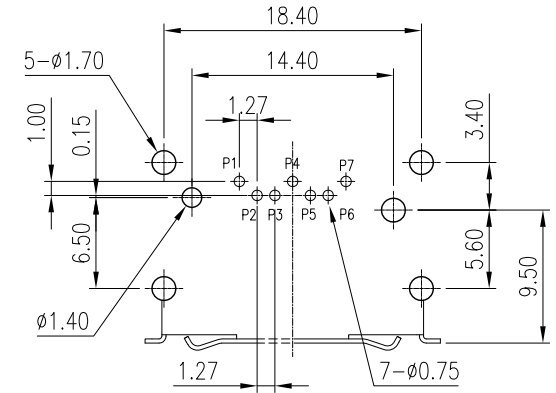
**P/N SYSTEM:**

G09 1 2 X X 3 0 X F LF

**CONTACT FINISH:**  
 0: CONTACT:GOLD FLASH; SHELL:NICKEL PLATING

**PACKAGING CODE:**  
 0: TAPE AND REEL PACKING

**TERMINAL STYLE:**  
 8: DIP TYPE(FOR 1.30mm PCB)



**RECOMMENDED PCB LAYOUT (TOP VIEW)**  
 (ALL TOLERANCE ARE ±0.05)

**NOTES:**

- MATERIAL:**  
 HOUSING: HIGH TEMPERATURE THERMO PLASTIC UL94V-0  
 TERMINAL: COPPER ALLOY  
 SHELL: COPPER ALLOY
- FINISH:**  
 TERMINAL:  
 CONTACT AREA: SELECTIVE GOLD PL.  
 SOLDERING AREA: MATT TIN PL. 100 μ" THK MIN.  
 UNDER PL.: NICKEL PL. 50 μ" THK MIN.  
 SHELL:  
 NICKEL PLATED
- THIS PRODUCT DOESN'T CONTAIN ENVIRONMENTAL HAZARDOUS MATERIALS PER MATERIAL SPECIFICATION SS-00259 FOR SONY GP
- THE DIMENSIONS MARKED (N) WILL BE CHECKED BY Q.C. AND PROCESS ENGINEERS.
- PACKING PER AMTA PACKING SPECIFICATION PKS-0001
- MEET SATA REVISION 3.0 SPECIFIED

G0912X830XFLF	2.05±0.2
PART NUMBER	A

TOLERANCE m/m	APPROVALS	DATE	TITLE
x. ±0.30	DRAWN Chenny Yeh	9/10/2013	G09 SERIES E-SATA CONNECTOR PLUG, 7-POS. R/A DIP, REVERSE
x.x ±0.25	CHECKED Sondra Sang	9/10/2013	
x.xx ±0.15	APPROVED Hank Hsu	9/10/2013	
x.xxx ±0.08			
ANGULAR ±2°			
UNLESS OTHERWISE SPECIFIED			SIZE PART NO. DWG NO. REV. A4 G09 1208300F LF T473-G091208300FLF-29 A

**Amphenol®**  
 Amphenol Corporation  
 Amphenol Taiwan Corporation  
 SCALE N.A. SHEET 1 OF 3

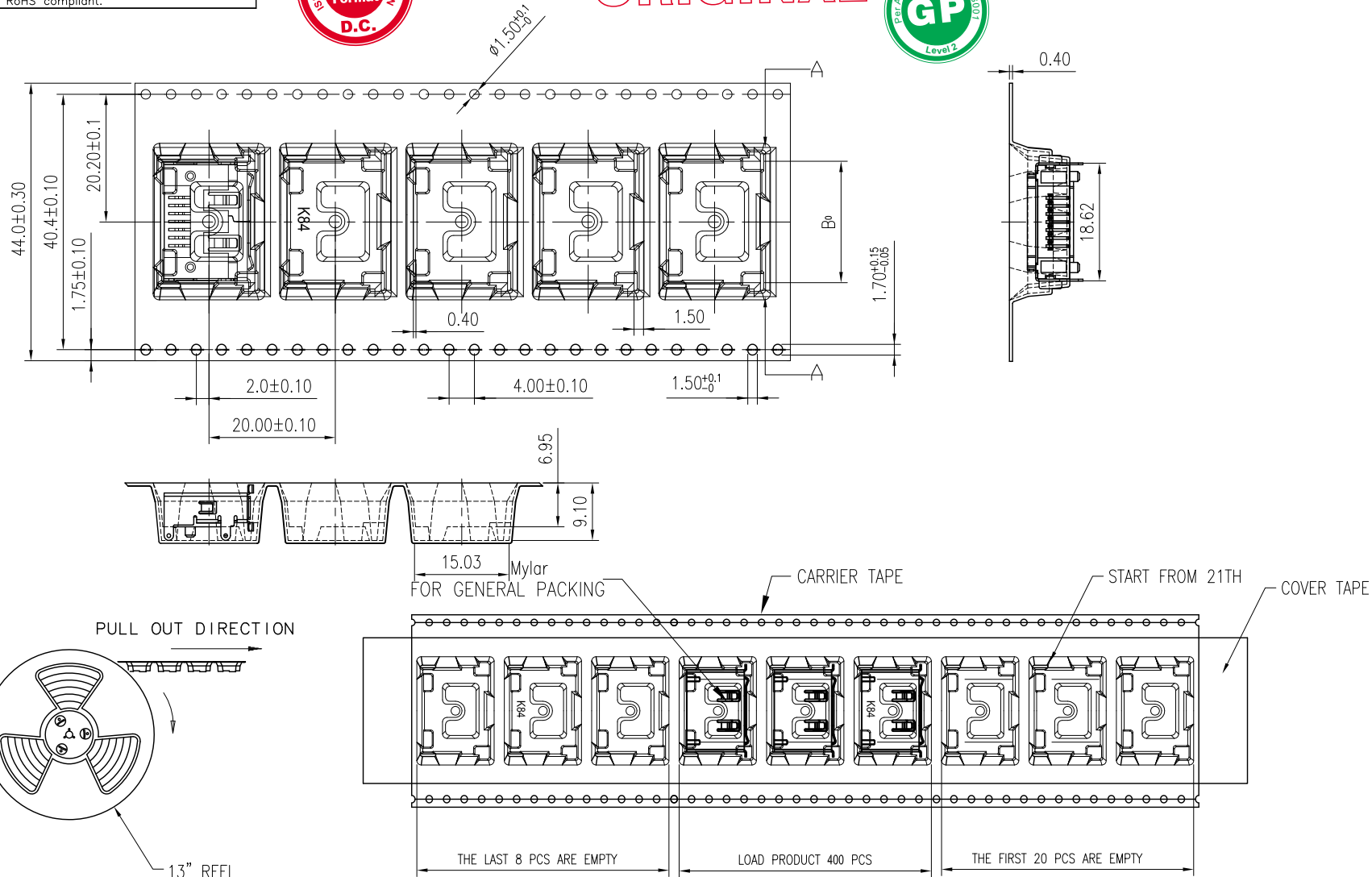
This document is the property of Amphenol Corporation and is delivered on the express condition that it is not to be disclosed, reproduced or used, in whole or in part, for manufacture or sale by anyone other than Amphenol Corporation without its prior consent, and that no right is granted to disclose or to use any information in this document.  
 The marking on this product doesn't contain environmental hazardous materials per Material Specification SS-00259 for Sony GP compliant or per directive 2011/65/EU for RoHS compliant.



# CUSTOMER DRAWING ORIGINAL



REVISIONS				
SYM	ECN No.	DESCRIPTION	DATE	BY
A	NE-13150	RELEASE TO PRODUCTION	09/10/2013	Chenny Yeh



- NOTES :
- MATERIALS :  
 CARRIER TAPE : TRANSPARENT ANTI-STATIC POLYSTYRENE  
 COVER TAPE : TRANSPARENT POLYSTYRENE  
 REEL : POLYSTYRENE BLUE

TOLERANCE m/m	APPROVALS	DATE	TITLE		Amphenol® Amphenol Corporation Amphenol Taiwan Corporation	
x.	DRAWN Chenny Yeh	9/10/2013	G09 SERIES E-SATA CONNECTOR PLUG, 7-POS. R/A , REVERSE		SCALE	N.A.
x.x ±0.30	CHECKED Sondra Sang	9/10/2013			SHEET	2 OF 3
x.xx ±0.20	APPROVED Hank Hsu	9/10/2013			DWG NO.	T371-G0912X130XLF
x.xxx ±0.10			SIZE	A4	REV.	A
ANGULAR ±2°			PART NO.	G09 12X130XLF		
UNLESS OTHERWISE SPECIFIED			UNIT	MM		

