

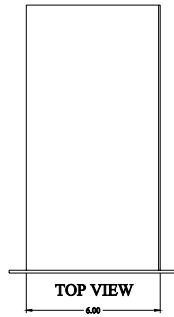
PART No. 1485DW2

for more information visit

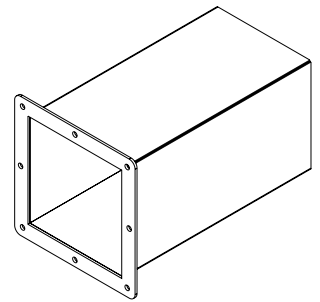
www.hammfg.com

Data subject to change without notice

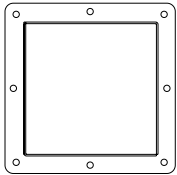
Isometric drawing Not to Scale



TOP VIEW



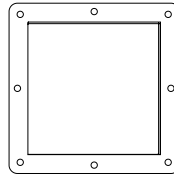
ISOMETRIC VIEW



BACK VIEW



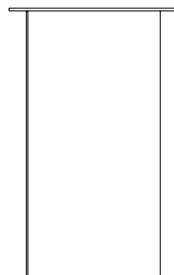
SIDE VIEW



FRONT VIEW



SIDE VIEW



BOTTOM VIEW