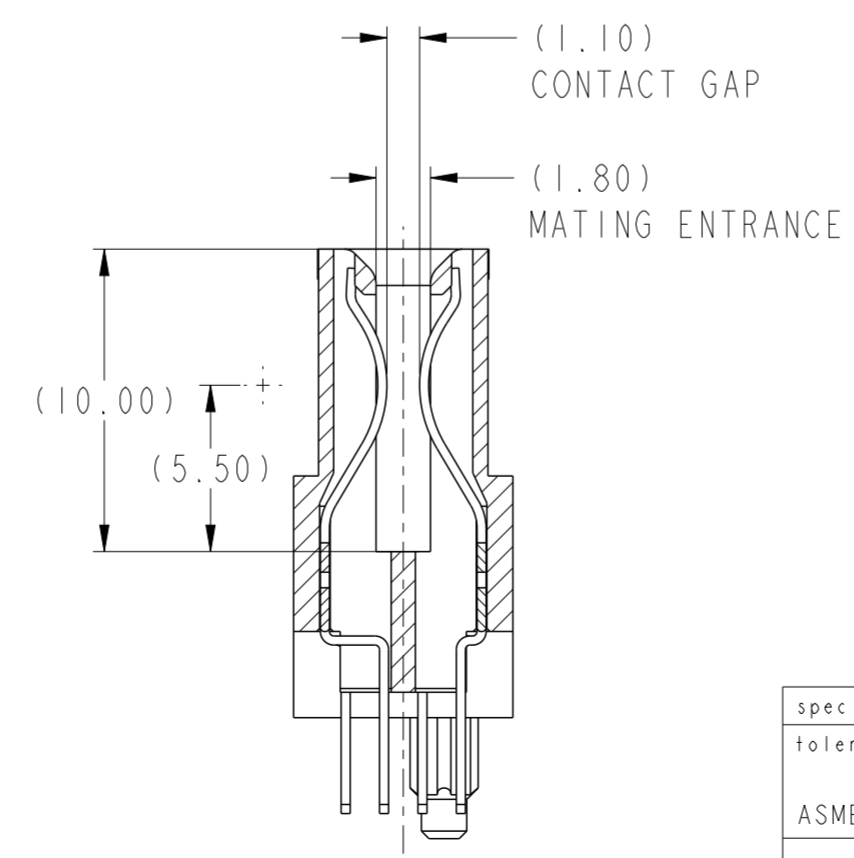


SECTION C-C



SECTION D-D

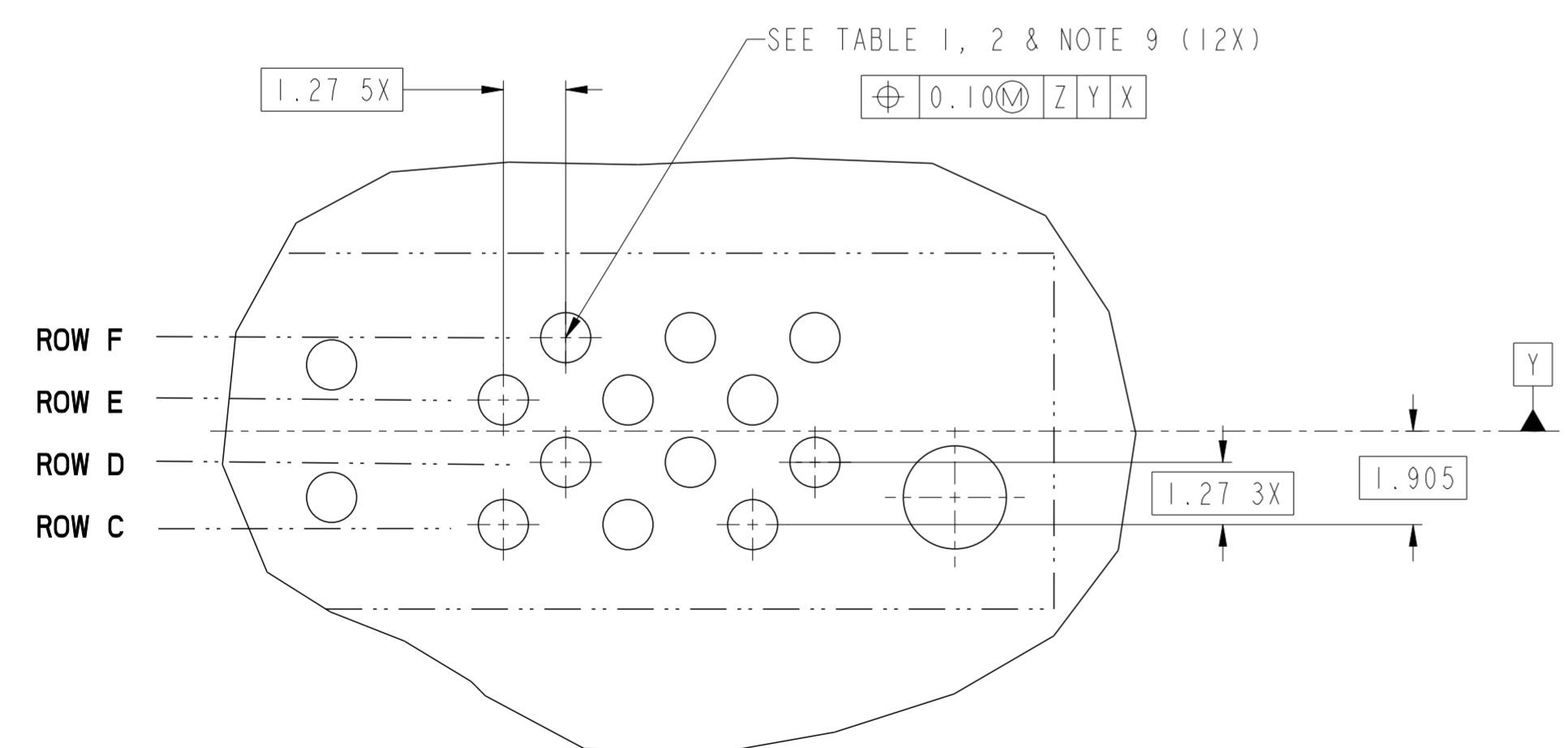
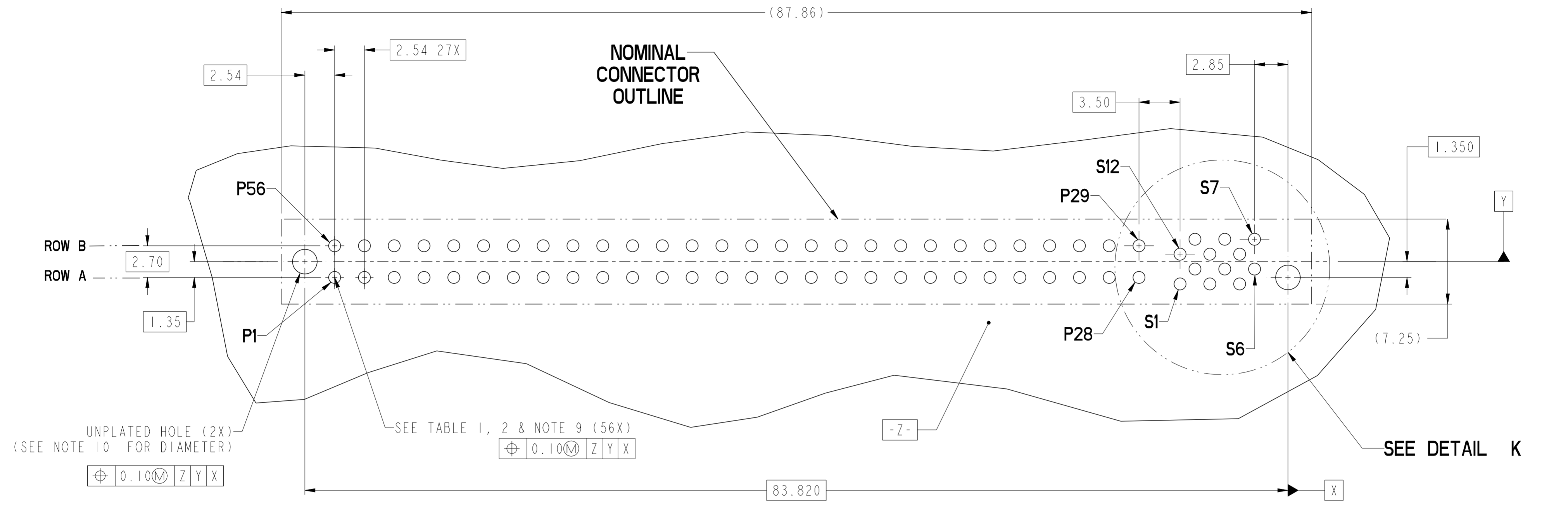
spec ref	-	dr	Hung Ngo	2009/07/28	projection	MM	size	A2	scale	4:1
tolerance std	ASME Y14.5	eng	Wei-Long Zhang	2012/06/11			ecn no	ELX-DG-011891-1		
TOLERANCES UNLESS OTHERWISE SPECIFIED		chr	-	rel level			Released			
surface	✓	appr	Pai-Ming Zheng	2012/06/13	product family	CARD EDGE	rel level	Released		
linear	0.X ±0.3			title	VERT RECT (56P-12S)		dwg no	10088418		
angular	0° ±0°	www.fci.com		cat. no.	-		Product - Customer Drw	sheet 1 of 4		
0.XX ±0.1					HIGH POWER CARD EDGE		rev	F		

PDS: Rev :F

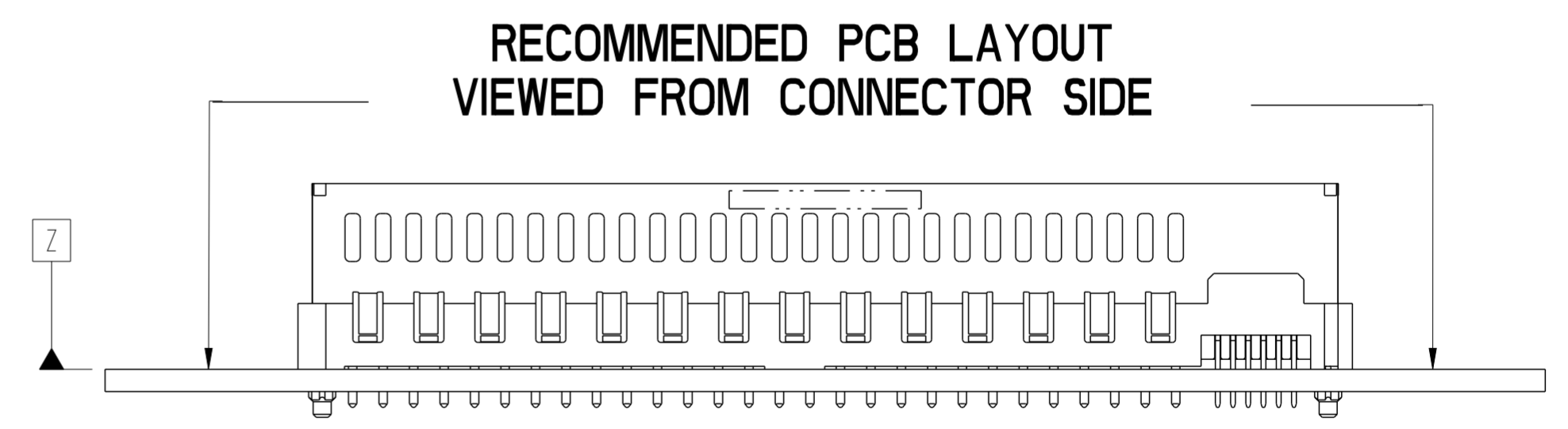
STATUS:Released

Printed: Jun 13, 2012

Copyright FCI. FCI



DETAIL K
SCALE 8:1



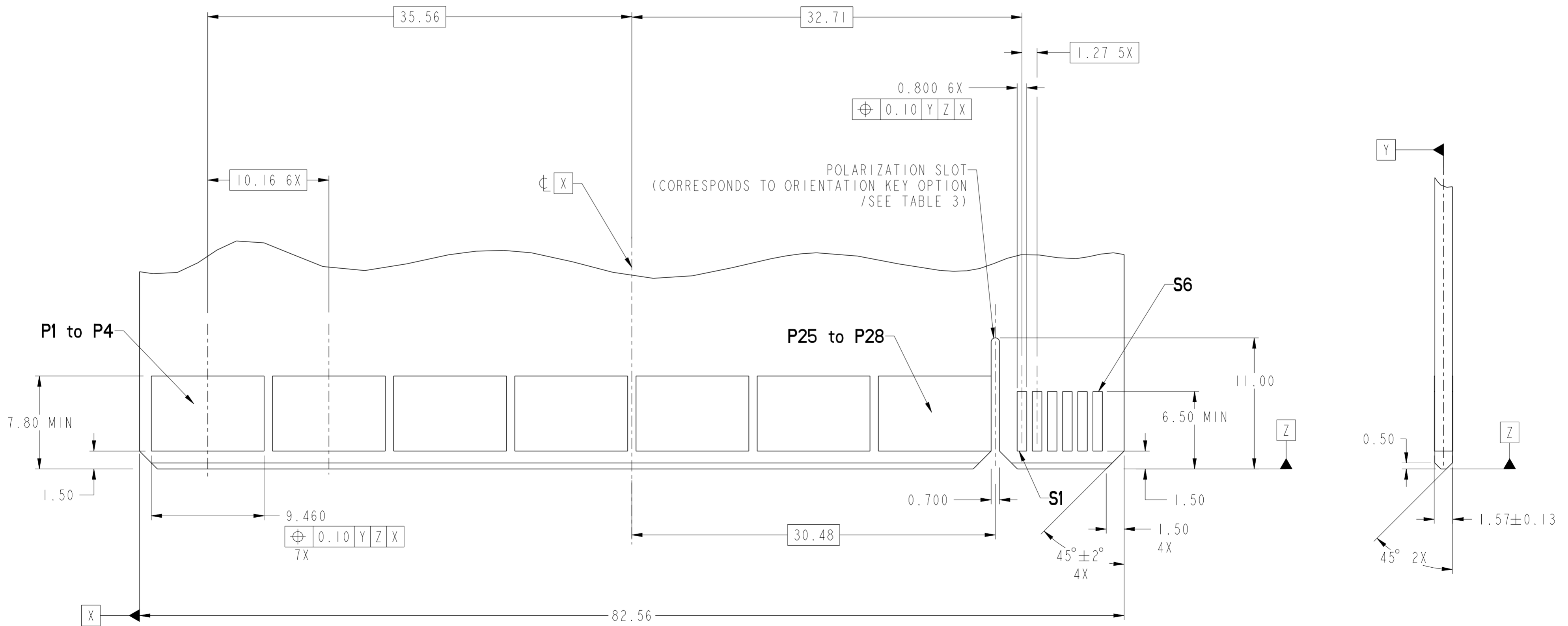
RECOMMENDED PCB LAYOUT
VIEWED FROM CONNECTOR SIDE

spec ref	-	dr	Hung Ngo	2009/07/28	projection	MM	size	A2	scale	4:1			
tolerance std	ASME Y14.5	eng	Wei-Long Zhang	2012/06/11			ecn no	ELX-DG-011891-1					
TOLERANCES UNLESS OTHERWISE SPECIFIED		chr	-	appr			Pei-Ming Zheng	2012/06/13	product family	CARD EDGE	rel level	Released	
surface	✓	linear	0.X	±0.3		VERT RECT (56P-12S) HIGH POWER CARD EDGE	cat. no.	Product - Customer Drw	sheet 2 of 4	title 10088418	rev F		
		angular	0°	±°						dwg no 10088418	PDS: Rev :F	STATUS:Released	Printed: Jun 13, 2012

Copyright FCI. FCI

CONTACT TYPE	TOP LAYER DESCRIPTION	TABLE 1 (HPCE / SOLDER TAILS) PLATED THROUGH-HOLE REQUIREMENTS				
		DRILLED HOLE DIAMETER	COPPER THICKNESS	TIN-LEAD THICKNESS	TIN THICKNESS	FINISHED HOLE DIAMETER
POWER & SIGNAL	TIN-LEAD	1.10-1.16 (1.15 DRILL)	0.025 - 0.050	0.005 - 0.015	--	0.94 - 1.10
	IMMERSION TIN	1.10-1.16 (1.15 DRILL)	0.025 - 0.050	--	0.9 - 1.5um	0.94 - 1.10
	COPPER (SEE NOTE 8)	1.10-1.16 (1.15 DRILL)	0.025 - 0.050	--	--	0.94 - 1.10

CONTACT TYPE	TOP LAYER DESCRIPTION	TABLE 2 (HPCE / PRESS-FIT TAILS) PLATED THROUGH-HOLE REQUIREMENTS				
		DRILLED HOLE DIAMETER	COPPER THICKNESS	TIN-LEAD THICKNESS	TIN THICKNESS	FINISHED HOLE DIAMETER
POWER & SIGNAL	TIN-LEAD	0.81-0.86 (0.85 DRILL)	0.025 - 0.050	0.005 - 0.015	--	0.65 - 0.80
	IMMERSION TIN	0.81-0.86 (0.85 DRILL)	0.025 - 0.050	--	0.9 - 1.5um	0.70 - 0.80
	COPPER (SEE NOTE 8)	0.81-0.86 (0.85 DRILL)	0.025 - 0.050	--	--	0.70 - 0.80

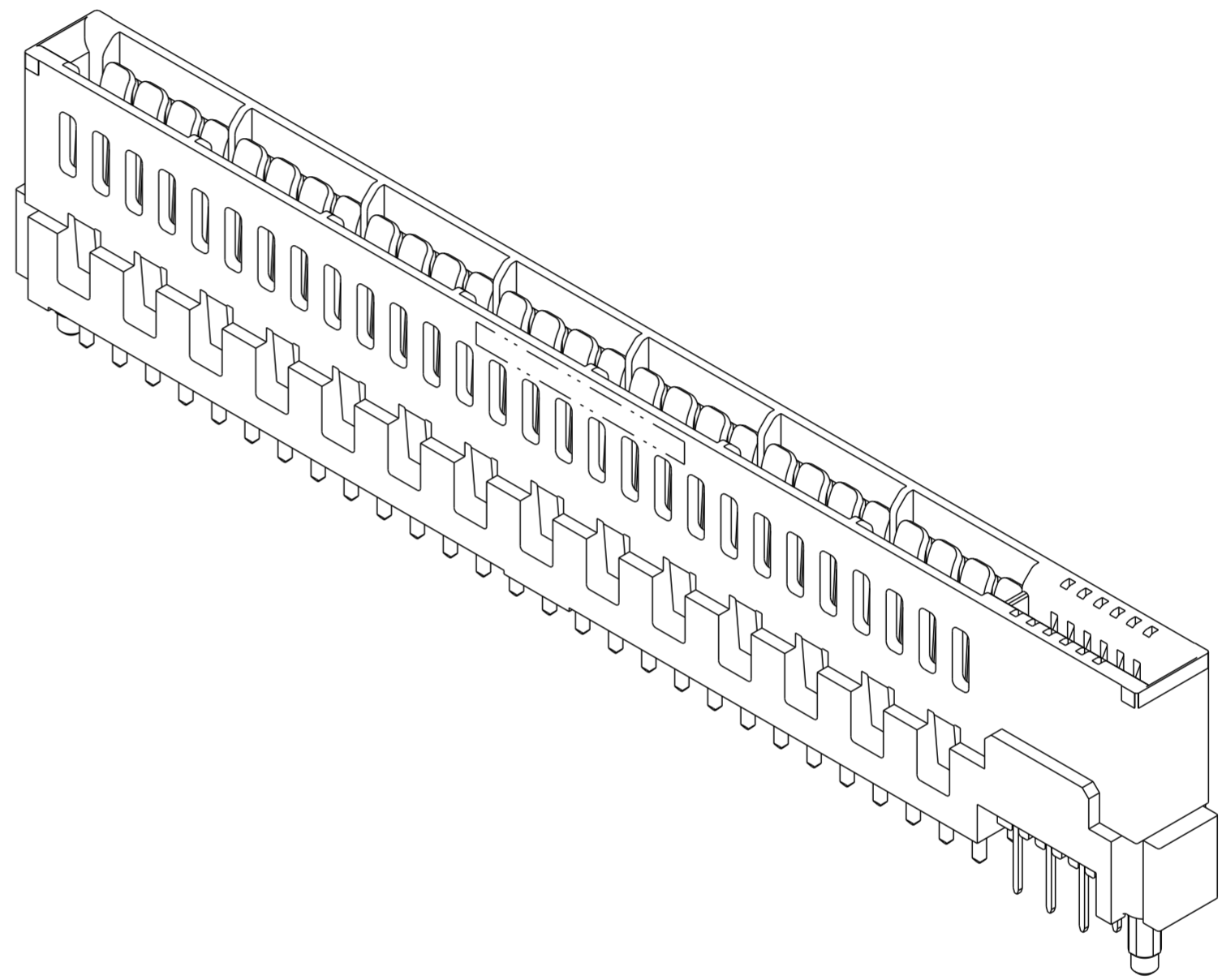


**RECOMMENDED MATING BOARD
FOOTPRINT**

spec ref	-	dr	Hung Ngo	2009/07/28	projection	MM	size	A2	scale	4:1
tolerance std	ASME Y14.5	eng	Wei-Long Zhang	2012/06/11	chr	-	ecn no	ELX-DG-011891-1	rel level	Released
surface	linear	appr	Pei-Ming Zheng	2012/06/13	product family	CARD EDGE	rel level	Released	cat. no.	Product - Customer Drw
ASME Y14.5	angular	0°	±0°	0.X	±0.3	0.XX	±0.1	0.XXX	±0.05	www.fci.com
FCj TITLE: VERT RECT (56P-12S) HIGH POWER CARD EDGE							dwg no 10088418	rev F	sheet 3 of 4	

HPCE PART NUMBER (TABLE 3)

PART NUMBER	TAIL TYPE	ORIENTATION KEY	DIM "A" TYPICAL TAIL LENGTH	DIM "B" RECOMMENDED BOARD THICKNESS
I0088418-001LF	SOLDER	YES	3.17 ±0.25	1.59 - 2.38
I0088418-002LF	SOLDER	NO		
I0088418-003	PRESS-FIT	YES	3.17 ±0.25	1.57 MIN
I0088418-003LF	PRESS-FIT	YES		
I0088418-004	PRESS-FIT	NO		
I0088418-004LF	PRESS-FIT	NO		



NOTES:

- CONNECTOR MATERIALS:
 HOUSING: HIGH TEMPERATURE THERMAL PLASTIC, BLACK
 UL 94V-0 COMPLIANT
 CONTACTS: HIGH PERFORMANCE COPPER ALLOY.
- CONTACT FINISH REF. GS-12-604 SECTION 5.2.
- PRODUCT SPECIFICATION: GS-12-604.
- APPLICATION SPECIFICATION: GS-20-128.
- PRODUCT MARKING (FCI - PART NUMBER & DATE CODE) ON HOUSING IN AREA SHOWN.
- PACKAGING MEETS FCI SPECIFICATION GS-14-937.
- HOUSING COMPONENT WILL WITHSTAND EXPOSURE TO 260°C PEAK TEMPERATURE FOR 60 SECONDS IN A CONVECTION, INFRA-RED, OR VAPOR PHASE REFLOW OVEN.
- COPPER PLATING THICKNESS IN CENTER OF VIA-HOLE CAN BE NO MORE THAN 0.003 LESS THAN OTHER AREAS.
- ALL HOLE SIZES ARE FINISHED HOLE SIZES.
- MOUNTING HOLES ARE UNPLATED
 Ø 2.40 +/- 0.1 FOR PRESS-FIT TAILS
 Ø 2.10 +/- 0.1 FOR SOLDER TAILS
 Ø 2.40 +/- 0.1 FOR SOLDER TAILS (Note: To reduce insertion force of connector to PCB, mounting hole diameter can be 2.40 +/- 0.1, provided fixturing is used during soldering to hold connector in place.)

Copyright FCI. FCI

spec ref	-	dr	Hung Ngo	2009/07/28	projection	MM	size	A2	scale	4:1	
tolerance std	ASME Y14.5	eng	Wei-Long Zhang	2012/06/11			ecn no	ELX-DG-011891-1			
TOLERANCES UNLESS OTHERWISE SPECIFIED		chr	-	appr			Pai-Ming Zheng	2012/06/13	product family	CARD EDGE	rel level
surface	✓	linear	0.X	±0.3		TITLE VERT RECT (56P-12S) HIGH POWER CARD EDGE	dwg no I0088418	rev F	Product - Customer Drw		
		angular	0°	±°					cat. no.	-	sheet 4 of 4
									www.fci.com		