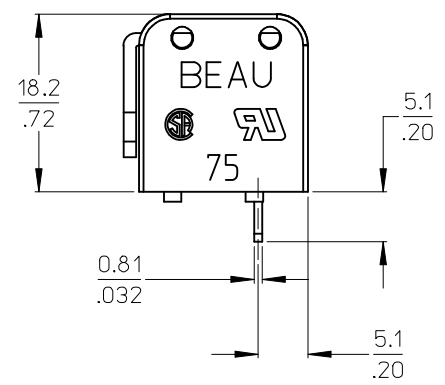
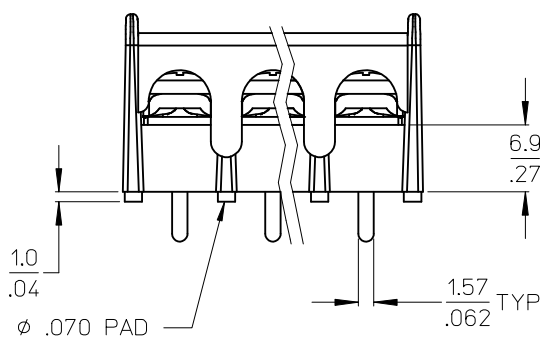


3 CIRCUIT SHOWN AS
REFERENCE ONLY



NO. OF CIRCUITS	ASSY. MAT. NO. (STD OPT)	ASSY. MAT. NO. (-50 OPT)	DIM. "A"		DIM. "B"	
			mm	in	mm	in
03	387590303	387590031	30.4	1.20	19.05	0.750
04		387590305	39.9	1.57	28.58	1.125
08		387590382	78.0	3.07	66.68	2.625

- NOTES:
1. MATERIAL: SEE TABLE.
 2. FINISHES: SEE TABLE.
 3. "XX" REFERS TO THE QTY OF CIRCUITS.
 4. ROHS COMPLIANT.

ITEM	QTY.	DESCRIPTION	MATERIAL	FINISH
5	XX	SCREW #6-32X.250 BHD PHSLZN/STEEL (STD)	STEEL	ZN, CLEAR CHROMATE
4	XX	SCREW #6-32X.250 PAN PHSLZN/BR/STEEL -50	STEEL	ZN, CLEAR CHROMATE
3	XX	TERMINAL PC CS 6C SN/B	BRASS	TIN PLATE
2	1	COVER HINGE MO BLACK	POLYESTER (PBT)	BLACK
1	1	BARRIER	POLYESTER (PBT)	BLACK

INITIAL RELEASE
EC NO: IPG2014-1260
DRAWN: JENC INAS 2013/10/01
CHKD: JMACNEIL 2014/02/07
APPR: JMACNEIL 2014/03/10

QUALITY SYMBOLS
▽=0
▽=0

GENERAL TOLERANCES (UNLESS SPECIFIED)

	mm	INCH
4 PLACES	± ---	± ---
3 PLACES	± ---	± .005
2 PLACES	± 0.13	± .01
1 PLACE	± 0.3	± ---

ANGULAR ± 2°

DRAFT WHERE APPLICABLE
MUST REMAIN
WITHIN DIMENSIONS

DIMENSION STYLE
MM/IN

SCALE
2:1

DESIGN UNITS
INCH

THIRD ANGLE PROJECTION

DRAWN BY
JENC INAS

DATE
2013/09/30

CHECKED BY
JMACNEIL

DATE
2014/02/07

APPROVED BY
JMACNEIL

DATE
2014/03/10

MATERIAL NO.
SEE CHART

TITLE
9.53/.375 SR TRI-BTS
WITH HINGED COVER
NO MTG. ENDS, OPT -50

MOLEX INCORPORATED

DOCUMENT NO.
SD-38759-014

SHEET NO.
1 OF 1

THIS DRAWING CONTAINS INFORMATION THAT IS PROPRIETARY TO MOLEX INCORPORATED AND SHOULD NOT BE USED WITHOUT WRITTEN PERMISSION