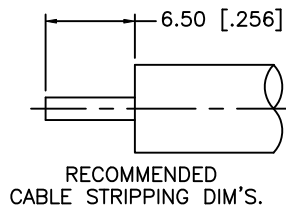
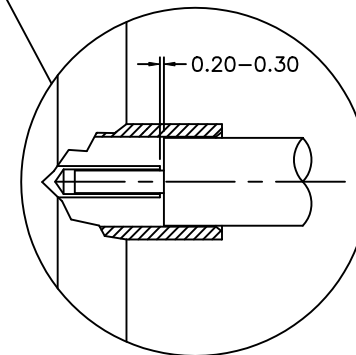
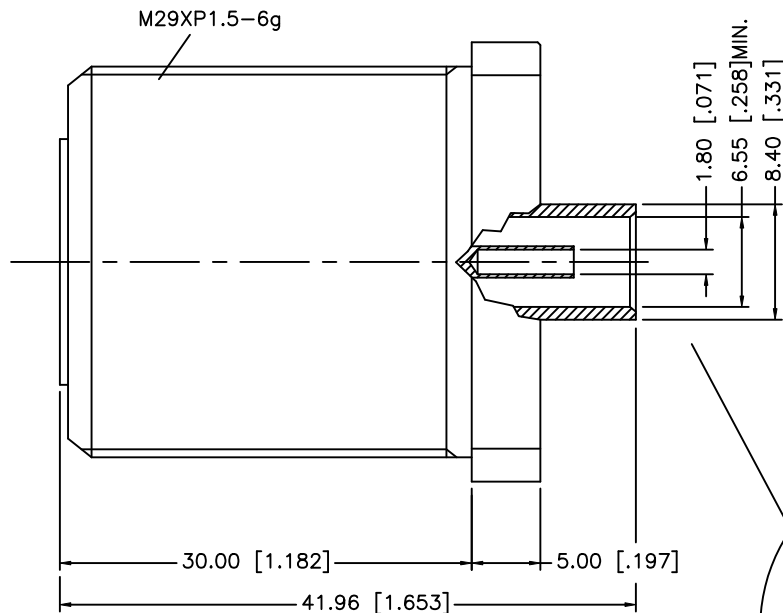
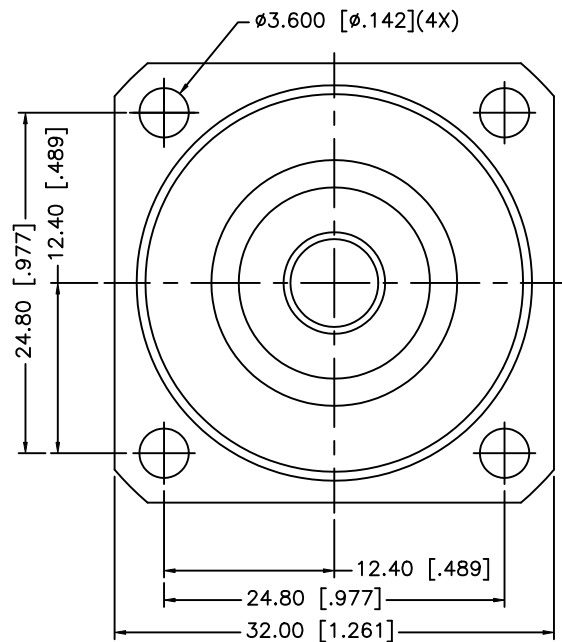


REV.	DATE	DESCRIPTION
NC	5/25/00	INITIAL RELEASE
A	12/29/00	UPDATE PLATING TO SILVER
B	09/10/06	REVISE BODY DESIGN , PLATING TO NEXCOTE, UPDATE DRAWING FORMAT



8				
7				
6				
5				
4				
3	CONTACT PIN	BER. COPPER	SILVER	1
2	INSULATOR	TEFLON	NATURAL	1
1	BODY	BRASS	NEXCOTE	1
	DESCRIPTION	MATERIAL	FINISH	QTY

UNLESS OTHERWISE SPECIFIED DIMENSIONS ARE IN MILLIMETERS. DIMENSIONS IN [ ] ARE IN INCHES AND FOR CUSTOMER REFERENCE ONLY.

UNLESS OTHERWISE SPECIFIED TOLERANCES FOR MILLIMETERS ARE:  
0.5 - 8mm ± 0.20mm  
8 - 30mm ± 0.40mm  
30 - 120mm ± 0.50mm

UNLESS OTHERWISE SPECIFIED TOLERANCES FOR INCHES ARE:  
.020 - .315 = ± 0.007"  
.315 - 1.180 = ± 0.015"  
1.180 - 4.724 = ± 0.020"

DO NOT SCALE DRAWING

APPROVALS		DATE
DRAWN	G.R.S.	09/10/06
CHECKED		
ISSUED		
SHEET	1 OF 1	
CAD FILE	C:/272/272101.DWG	

# Amphenol Connex

PART DESCRIPTION			
7/16 PANEL JACK (FOR .250 SEMI-RIGID CABLE)			
PART NO. 272101			
DWG. NO.	272101.DWG	REV. B	SCALE NA