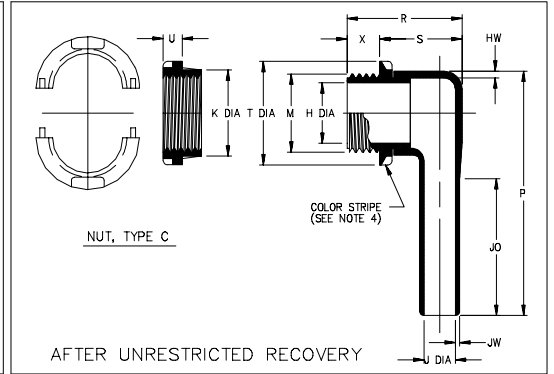
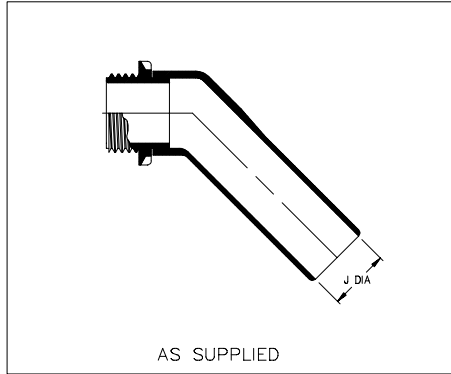


Thermofit<sup>®</sup> Molded Parts  
 Specification Control Drawing  
 Limited Distribution

Part Number : 227W213-X-A10  
 Description : 90° Feedthrough, Low Profile

- NOTES
- All dimensions are in  $\frac{\text{inches}}{\text{[millimeters]}}$
  - Dimensions appearing in table are as follows:  
 a - As Supplied  
 b - After Unrestricted Recovery
  - Type "C" nut supplied with part.
  - Part shall have color stripe 1/8" wide x 360° around outside surface, located approx. as shown. (color to be yellow)



PART NUMBER	H Min b	J		JO ±10% b	M ±.03 b	P ±10% b	R Ref b	S Max b	T ±.03 b	X Min b	HW ±20% b	JW ±20% b	K Ref b	U ±10% b
		Min a	Max b											
227W213-X-A10	.39 [9,9]	.47 [11,9]	.25 [6,35]	1.35 [34,3]	.79 [20,1]	2.04 [51,8]	1.93 [49,0]	1.20 [30,5]	1.26 [32,0]	.78 [19,8]	.06 [1,5]	.04 [1,0]	.91 [23,1]	.28 [7,1]

**Raychem**

RAYCHEM CORPORATION  
 300 CONSTITUTION DRIVE  
 MENLO PARK, CALIFORNIA 94025

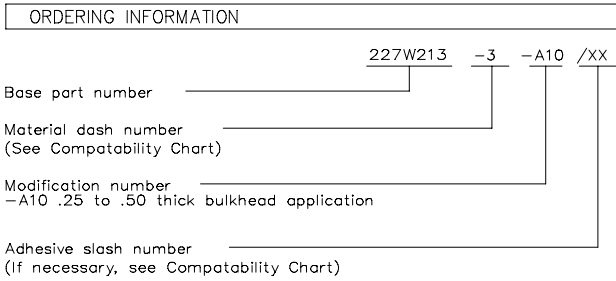
Revision : C  
 Date : 9/22/94

Part Number : 227W213-X-A10  
 Description : 90° Feedthrough, Low Profile

Thermofit<sup>®</sup> Molded Parts  
 Specification Control Drawing  
 Limited Distribution

Part Number : 227W213-X-A10  
 Description : 90° Feedthrough, Low Profile

MATERIAL DASH NO.	MATERIAL DESCRIPTION	RT SPEC	COATING SLASH NO.	COATING S NO.	COATING DESCRIPTION
-3	Polyolefin, Semi-rigid	RT-301	N/A		



THIS DRAWING IS SUBJECT TO CHANGE WITHOUT NOTICE; CONSULT YOUR  
 NEAREST FIELD REPRESENTATIVE FOR CURRENT REVISION

If this document is printed it becomes uncontrolled.  
 Check for the latest revision.

**Raychem**

RAYCHEM CORPORATION  
 300 CONSTITUTION DRIVE  
 MENLO PARK, CALIFORNIA 94025

Revision : C  
 Date : 9/22/94

Part Number : 227W213-X-A10  
 Description : 90° Feedthrough, Low Profile

CAD FILE MP94262