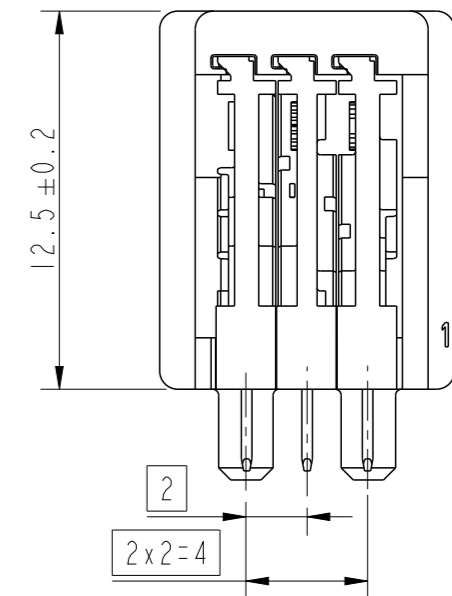
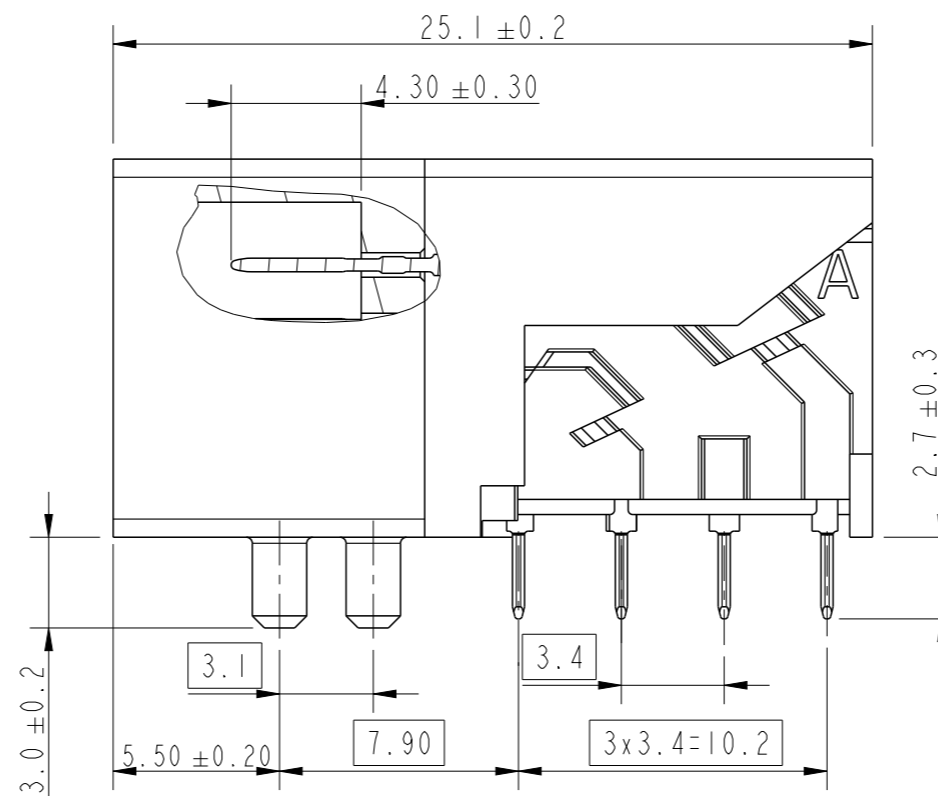
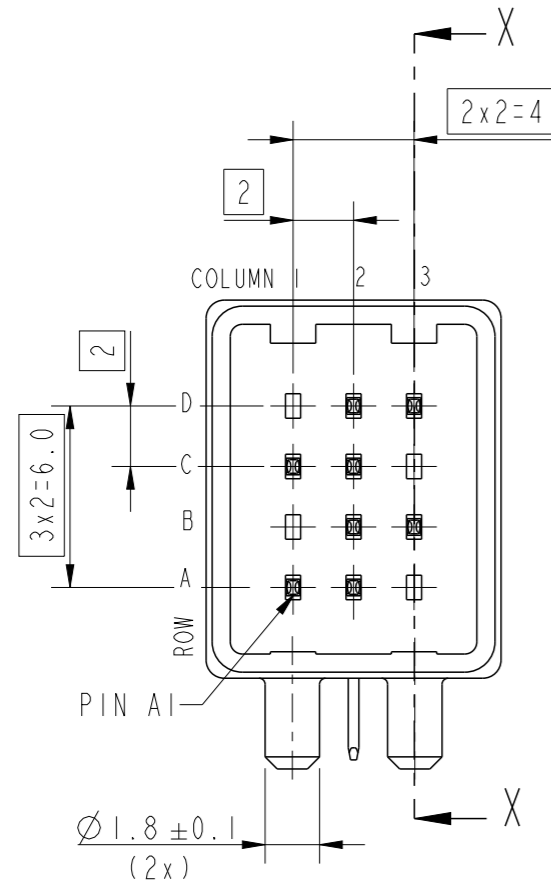
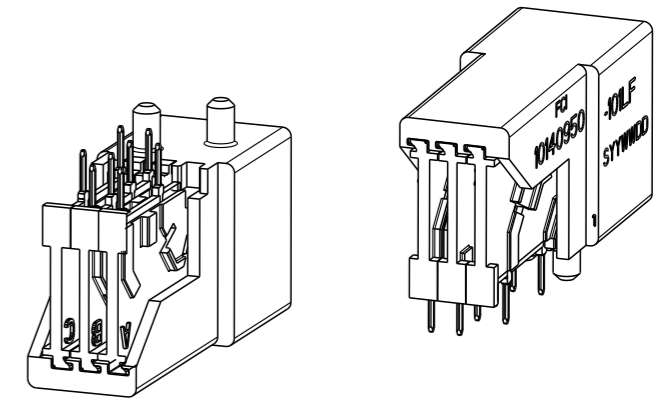
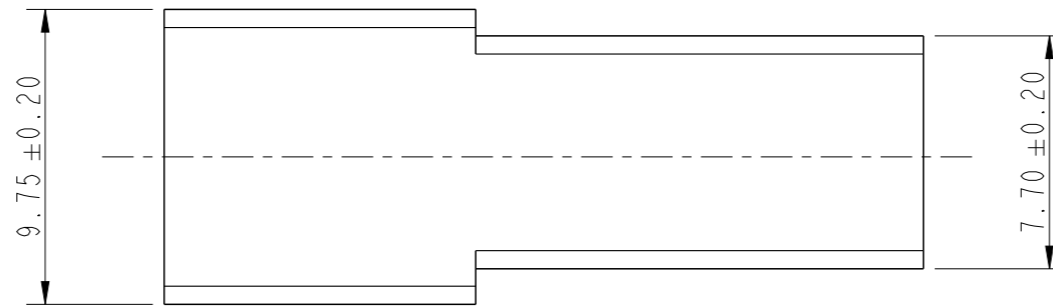


PRODUCT NUMBER
SEE TABLE

(SEE NOTE 8, SHEET 6)

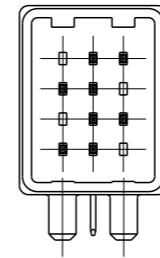
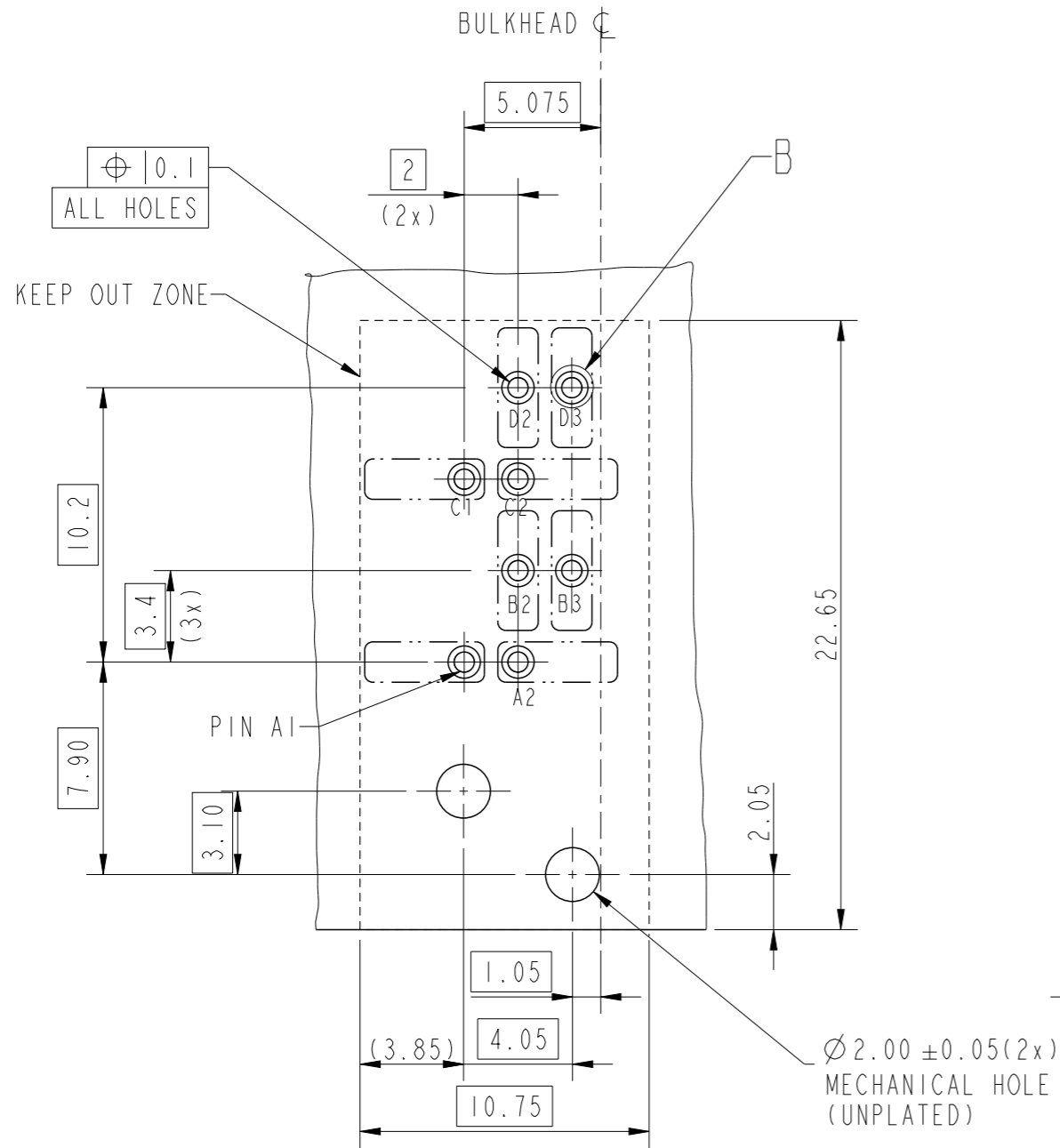


SECTION X-X

AFCI PART NO	ROW	COLUMN 1	COLUMN 2	COLUMN 3
10140950-101LF	D	-	x	x
	C	x	x	-
	B	-	x	x
	A	x	x	-
10140950-102LF	D	x	x	x
	C	x	x	-
	B	x	x	x
	A	x	x	-
10140950-103LF	D	x	x	x
	C	x	x	x
	B	x	x	x
	A	x	x	x

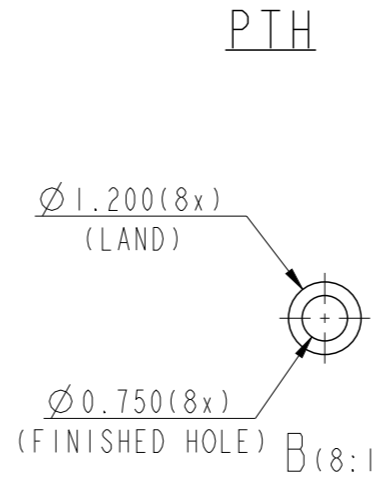
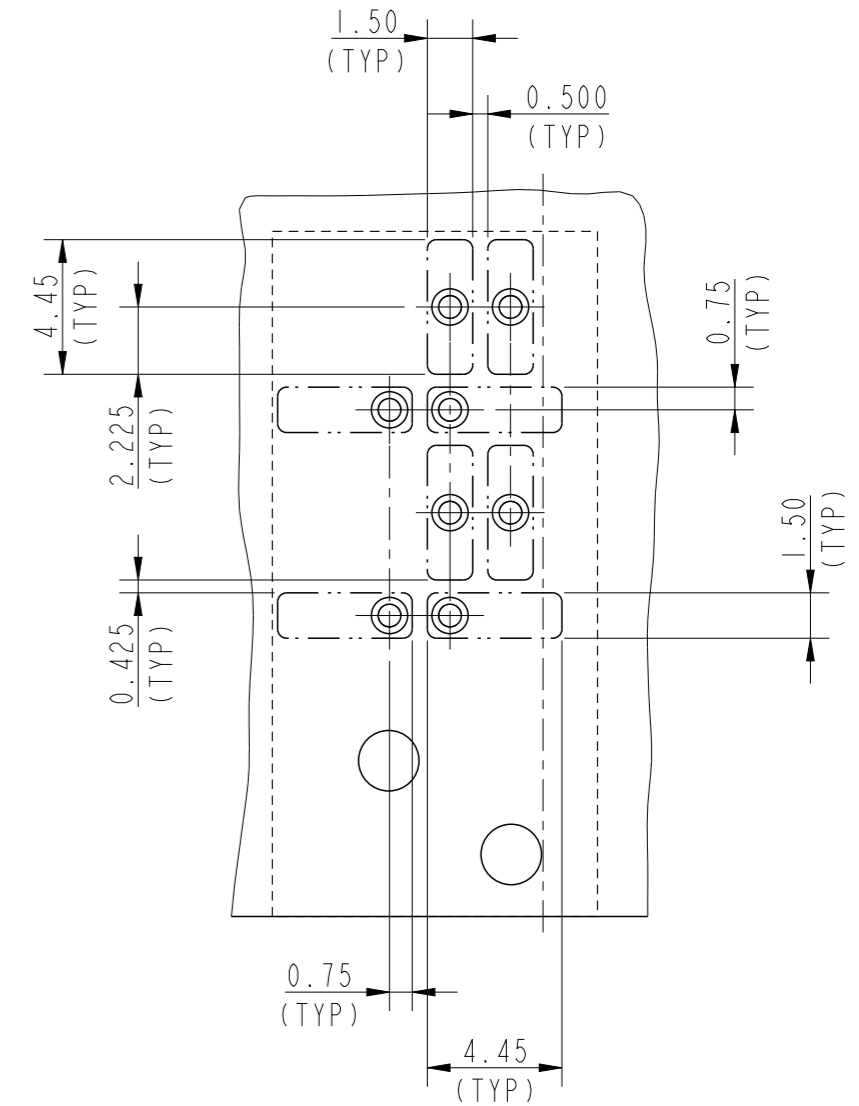
spec ref	-	dr	Jibin John	2017/09/26	projection	mm	size	A3	scale	2:1
tolerance std	ISO 406 ISO 1101	eng	Stalin Alosius	2017/10/16			ecn no	-	rel level	Released
surface	linear	chr	-	app						
	angular	0°	±2°	Amphenol FCI		VERIO SIGNAL RA BOARD CONNECTOR WITH PIP TERMINATION		rel level	Released	rev A
ISO 1302	0.X ±0.3 0.XX ±0.10 0.XXX ±0.050	cat. no.	-	Product - Customer Drw		sheet 1 of 6	dwg no 10140950			

VIEW FROM COMPONENT SIDE P/N 10140950-101LF



P/N 10140950-101LF
(8 POS. SIGNAL)

SOLDER PAD DIMENSIONS



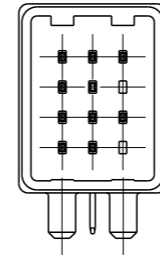
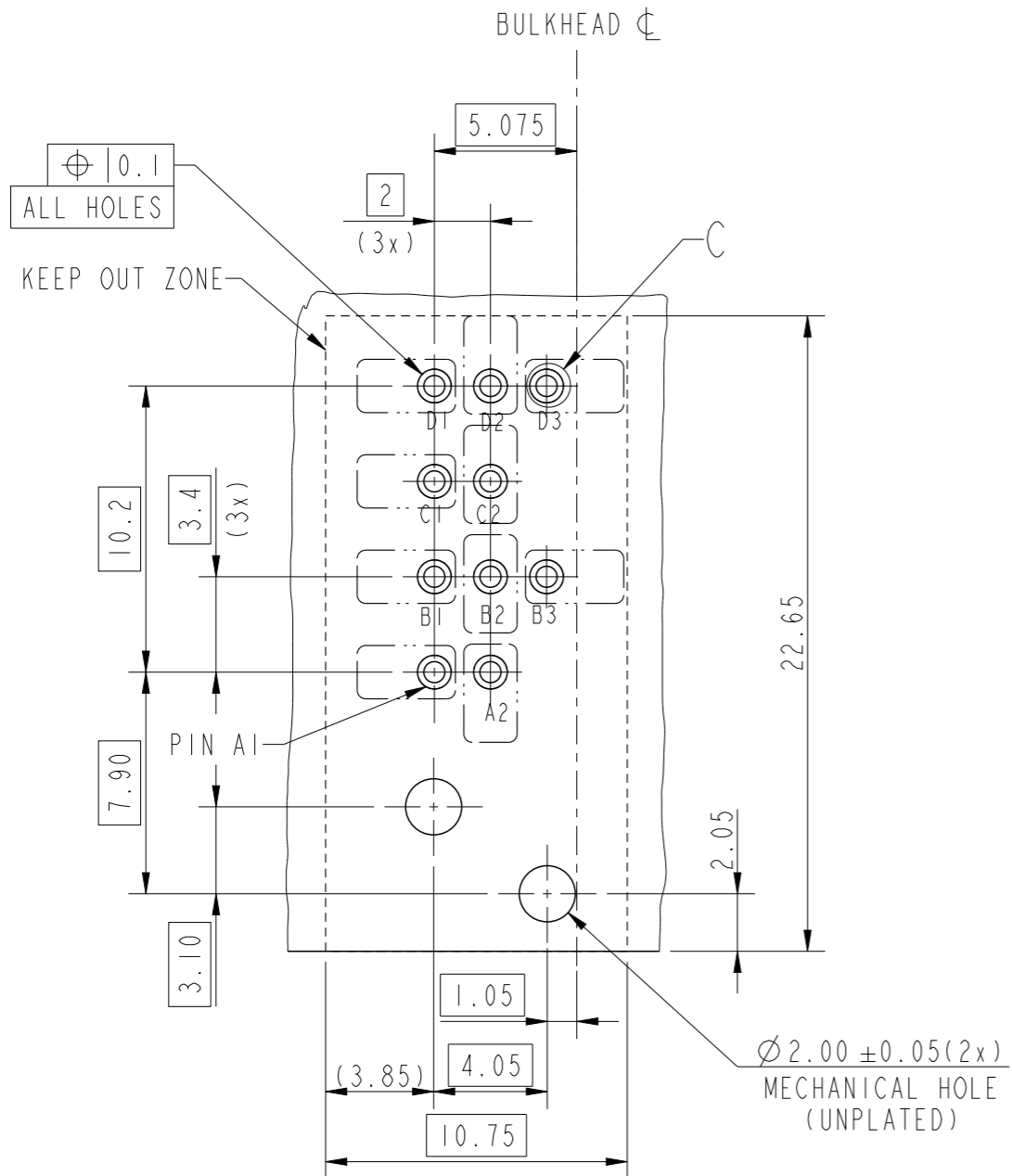
1.6~2.4(±10%)
(PCB THICKNESS)

SIGNAL PTH DETAILS	
DRILLED HOLE	0.82-0.87mm
COPPER PLATING	25-50µm
TIN PLATING	0.8-1.2µm
FINISHED HOLE DIA	0.70-0.80mm

spec ref	-	dr	Jibin John	2017/09/26
tolerance std	ISO 406 ISO 1101	eng	Stalin Alosius	2017/10/16
	TOLERANCES UNLESS OTHERWISE SPECIFIED	chr	-	-
surface		ISO 1302	appr	K-Paul Biju
	linear	0.X	±0.3	Amphenol FCi
		0.XX	±0.10	
		0.XXX	±0.050	
	angular	0°	±2°	

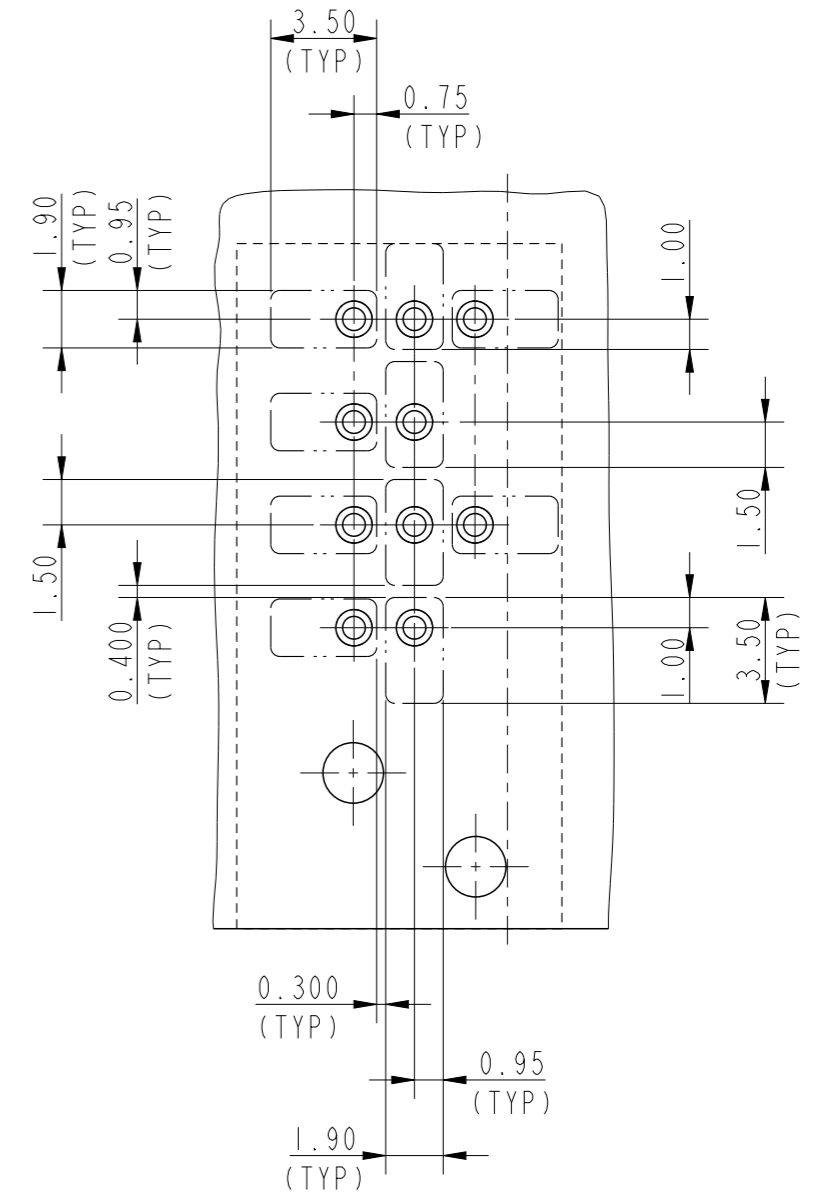
projection	mm	size	A3	scale	1:1
product family		ecn no	-	rel level	Released
VERIO SIGNAL RA BOARD CONNECTOR WITH PIP TERMINATION	dwg no	10140950	rev	A	
cat. no.	-	Product - Customer Drw	sheet 2 of 6		

VIEW FROM COMPONENT SIDE P/N 10140950-102LF



P/N 10140950-102LF
(10 POS. SIGNAL)

SOLDER PAD DIMENSIONS



PTH

$\phi 1.200(10x)$
(LAND)

$\phi 0.750(10x)$
(FINISHED HOLE)
C(8:1)

1.6~2.4($\pm 10\%$)
(PCB THICKNESS)

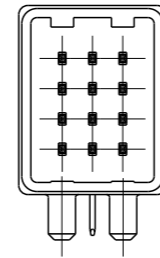
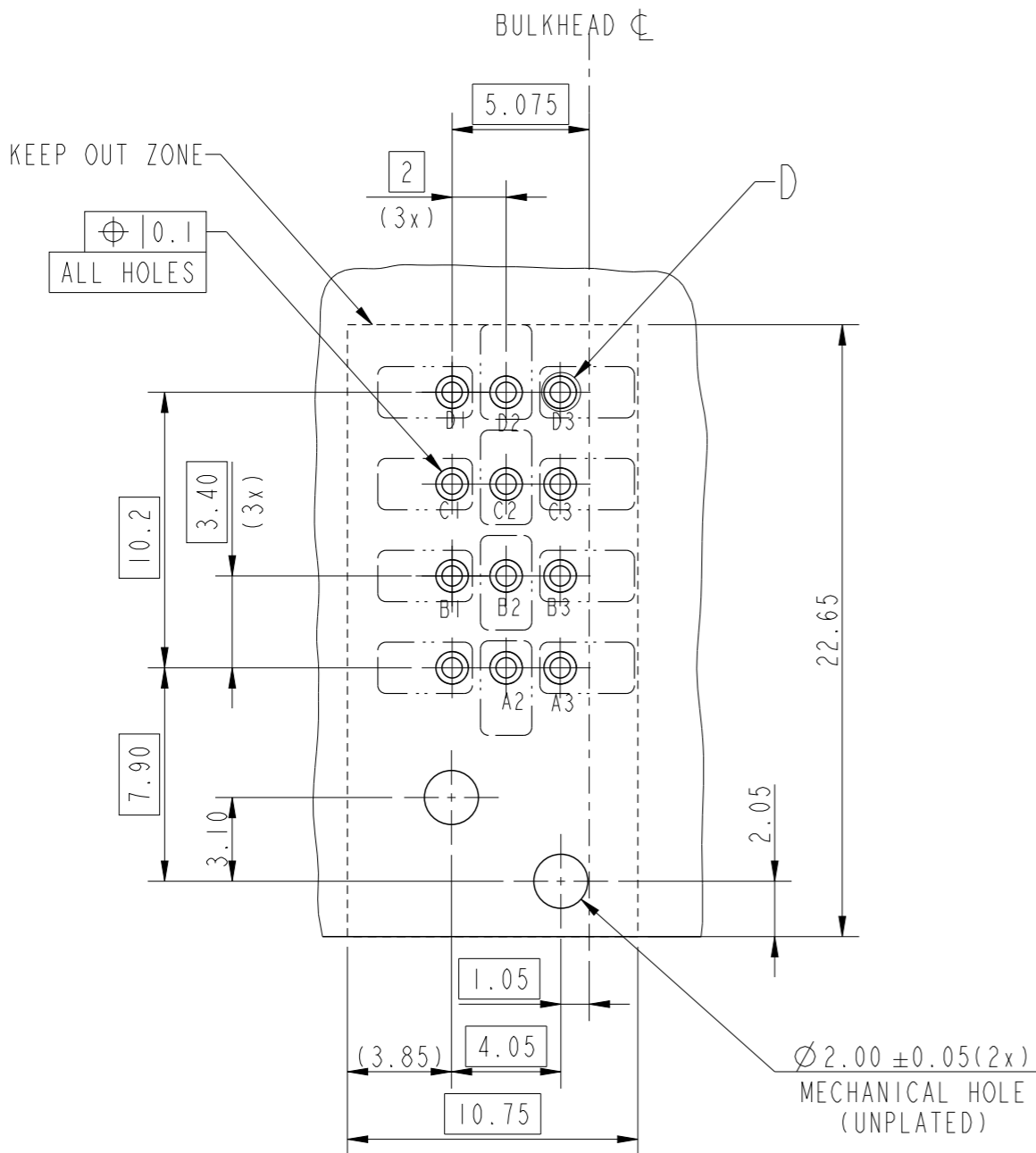
Amphenol
FCi

© 2016 AFCI

SIGNAL PTH DETAILS	
DRILLED HOLE	0.82-0.87mm
COPPER PLATING	25-50 μ m
TIN PLATING	0.8-1.2 μ m
FINISHED HOLE DIA	0.70-0.80mm

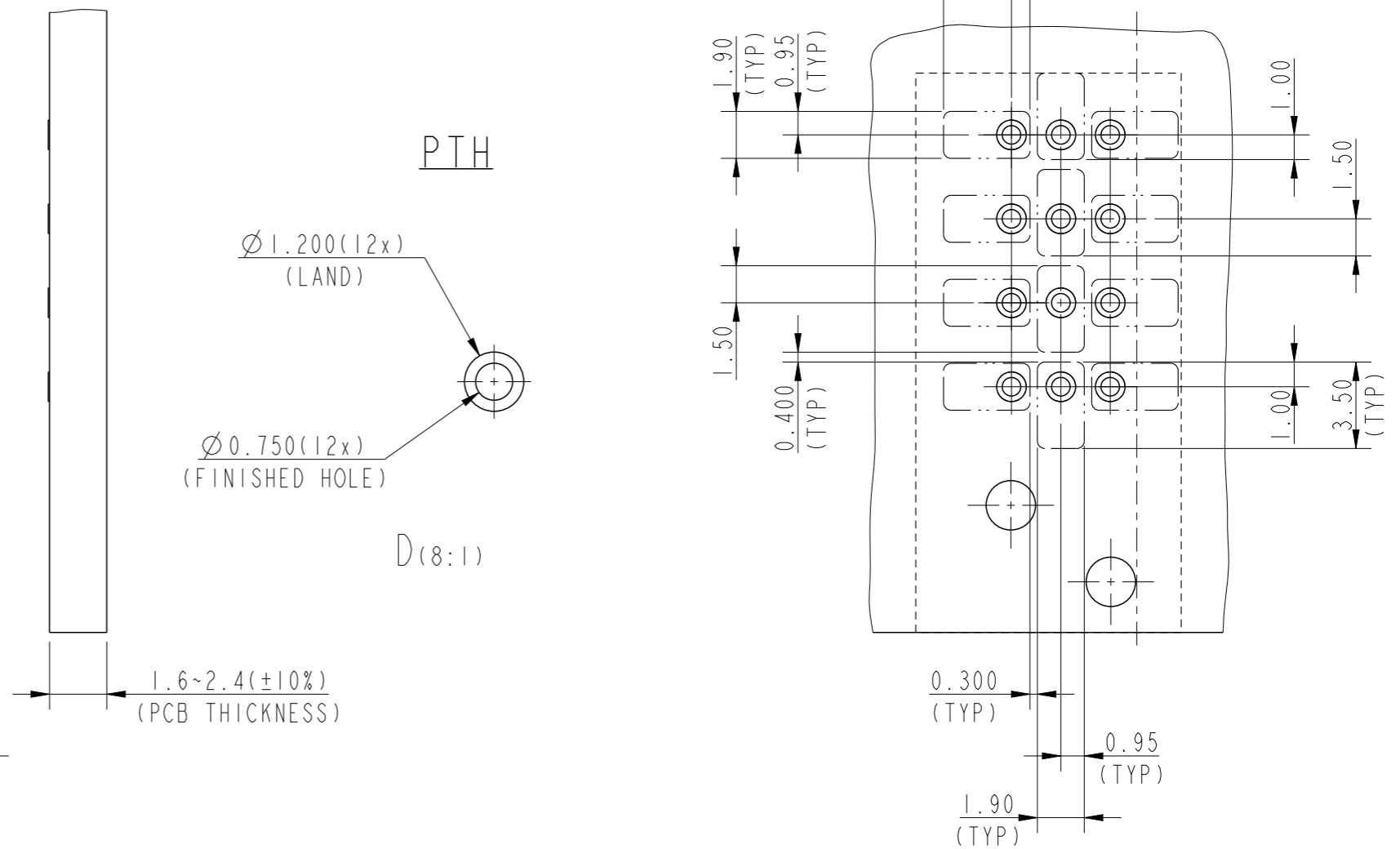
spec ref	-	dr	Jibin John	2017/09/26	projection	mm	size	A3	scale	1:1
tolerance std	ISO 406 ISO 1101	eng	Stalin Alosius	2017/10/16			ecn no	-	rel level	Released
TOLERANCES UNLESS OTHERWISE SPECIFIED		chr	-	2017/10/16			product family	VERIO SIGNAL RA BOARD CONNECTOR WITH PIP TERMINATION		rel level
surface	linear	0.X	± 0.3		cat. no.	Product - Customer Drw	10140950	rev	A	
		0.XX	± 0.10							
		0.XXX	± 0.050							
	angular	0°	$\pm 2^\circ$							

VIEW FROM COMPONENT SIDE P/N 10140950-103LF



P/N 10140950-103LF
(12 POS. SIGNAL)

SOLDER PAD DIMENSIONS



Amphenol
FCi

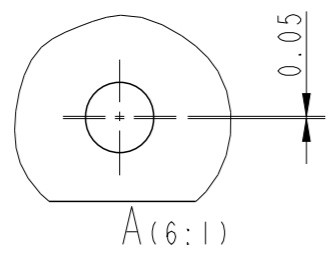
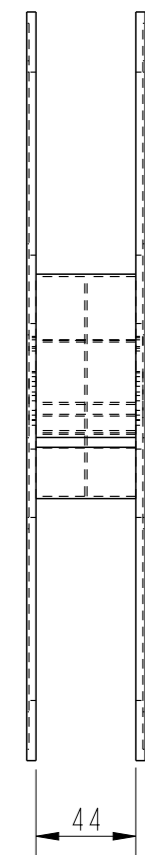
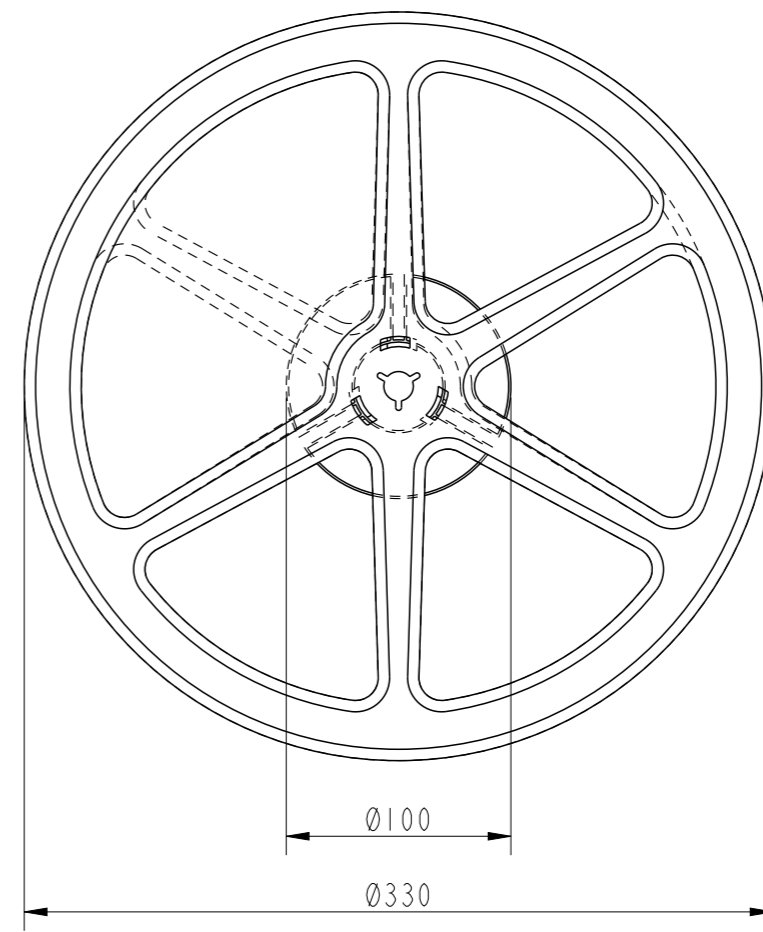
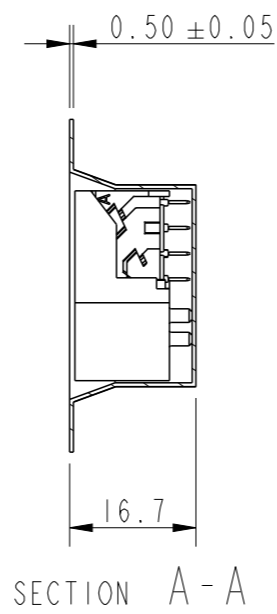
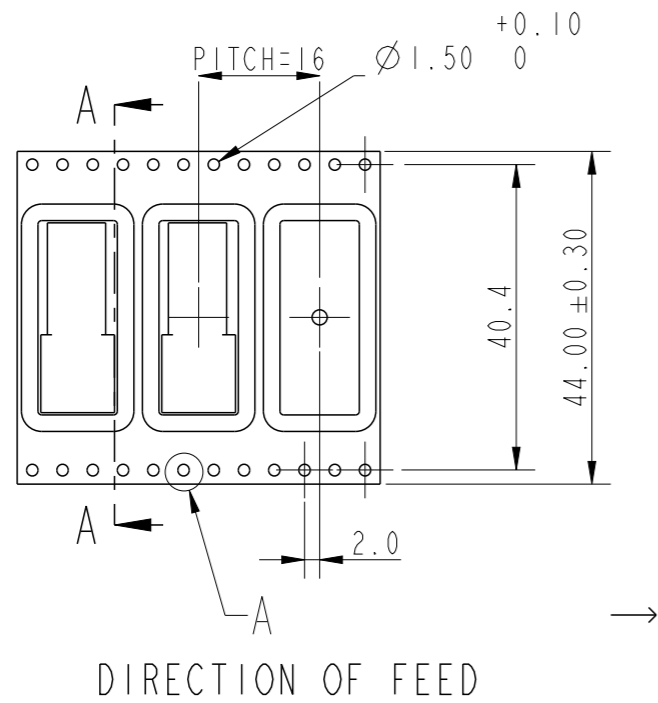
© 2016 AFCI

SIGNAL PTH DETAILS	
DRILLED HOLE	0.82-0.87mm
COPPER PLATING	25-50 μ m
TIN PLATING	0.8-1.2 μ m
FINISHED HOLE DIA	0.70-0.80mm

spec ref	-	dr	Jibin John	2017/09/26
tolerance std	ISO 406 ISO 1101	eng	Stalin Alosius	2017/10/16
	TOLERANCES UNLESS OTHERWISE SPECIFIED	chr	-	-
surface		ISO 1302	appr	K-Paul Biju
	linear	0.X	± 0.3	Amphenol FCi
		0.XX	± 0.10	
		0.XXX	± 0.050	
	angular	0°	$\pm 2^\circ$	

projection	\perp	size	A3	scale	1:1
		ecn no	-		
product family	VERIO SIGNAL RA BOARD CONNECTOR		rel level	Released	
	WITH PIP TERMINATION		dwg no	10140950	rev
	cat. no.	Product - Customer Drw			A
		sheet 4 of 6			

PACKAGING SPECIFICATION



TAPE & REEL PACKING DETAILS

NOTES:

1. PACKAGING DETAILS AS PER EIA-481 STD.
2. MATERIAL : (ANTISTATIC)
 CARRIER TAPE : POLYSTYRENE
 COVER TAPE : POLYSTYRENE

spec ref	-			dr	Jibin John	2017/09/26	projection	mm	size	A3	scale	2:1
tolerance std	TOLERANCES UNLESS OTHERWISE SPECIFIED			eng	Stalin Alosius	2017/10/16			ecn no		-	
ISO 406 ISO 1101				chr	-	-			rel level		Released	
surface		linear	0.X	±0.3	Amphenol FCI	VERIO SIGNAL RA BOARD CONNECTOR WITH PIP TERMINATION	product family	dwg no	10140950	rev	A	
			0.XX	±0.10								
ISO 1302	angular	0°	±2°									
				appr	K-Paul Biju	2017/10/16	cat. no.		Product - Customer Drw		sheet 5 of 6	

1

2

3

4

A

B

C

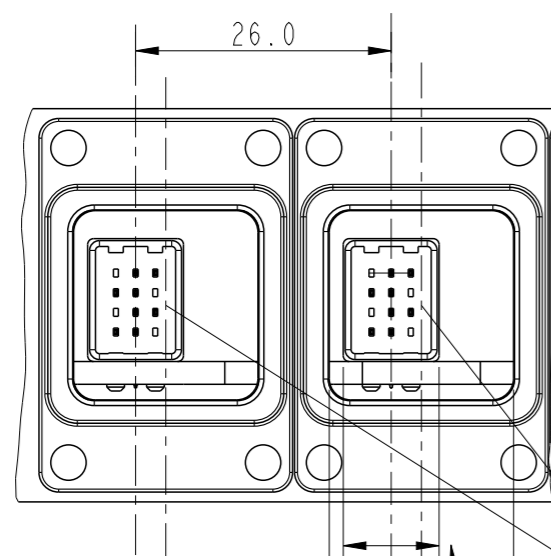
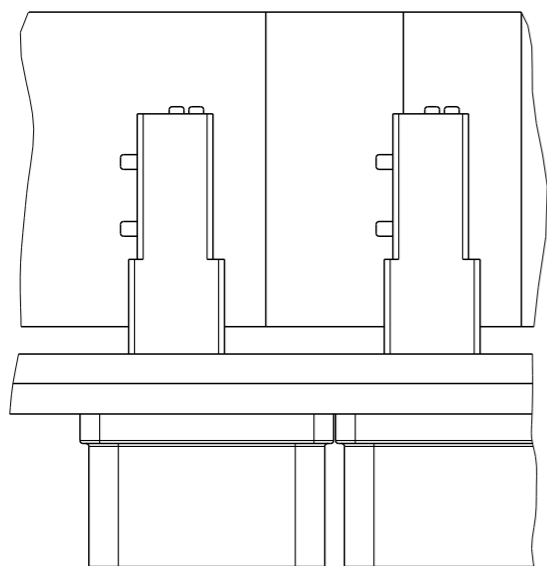
D

A

B

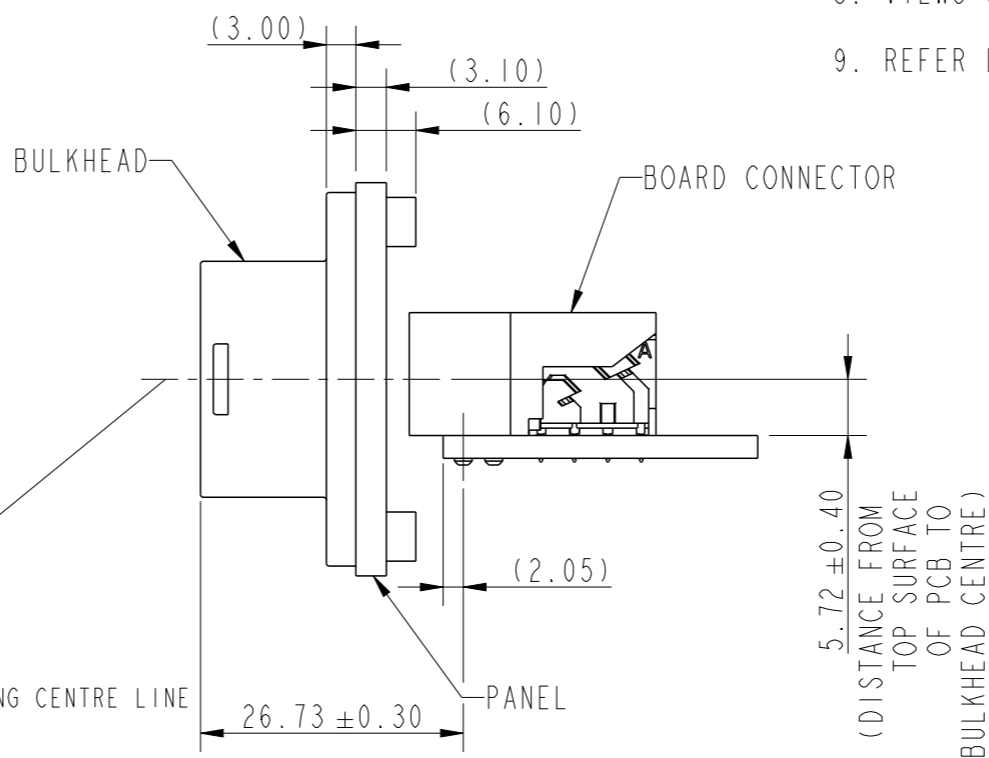
C

D



±0.60
CENTERING OF THE BOARD
CONNECTOR WITH BULKHEAD
CAVITY

BOARD CONNECTOR
WITH BULKHEAD



NOTES:

- 1: MATERIAL :
- RESIN - LCP, GLASS FILLED, FLAME RETARDANT ACC
FLAMMABILITY CLASSIFICATION - UL94-V0
- SIGNAL CONTACTS - COPPER ALLOY
2. PLATING :
-GOLD OVER PALLADIUM NICKEL ON CONTACT AREA OF SIGNALS
-PURE TIN AT TERMINAL AREA OF SIGNALS
3. PRODUCT SPECIFICATION: GS-12-1429
4. PACKAGING - TAPE & REEL
5. UNDER PLATING FOR CONTACTS IS 1.27µm NICKEL.
6. PRODUCT WILL WITHSTAND EXPOSURE TO 260° FOR 60 SECONDS IN A CONVECTION, INFRA RED OR VAPOUR PHASE REFLOW OVEN
7. PRODUCT WHERE THE PARTNUMBER ENDS IN LF MEETS EUROPEAN DIRECTIVES AND OTHER COUNTRY REGULATIONS AS DESCRIBED IN GS-47-0004.
8. VIEWS SHOWN ON PAGE 1 & 6 ARE OF P/N 10140950-101LF
9. REFER DRAWING 10140956 FOR BULKHEAD DETAILS

spec ref	-	dr	Jibin John	2017/09/26	projection	mm	size	A3	scale	2:1	
tolerance std	ISO 406 ISO 1101	eng	Stalin Alosius	2017/10/16			ecn no	-	rel level		Released
surface	linear	chr	-	2017/10/16			product family	VERIO	rel level	Released	rev
	angular	appr	K-Paul Bijju	2017/10/16	VERIO SIGNAL RA BOARD CONNECTOR WITH PIP TERMINATION		cat. no.	Product - Customer Drw	sheet 6 of 6		