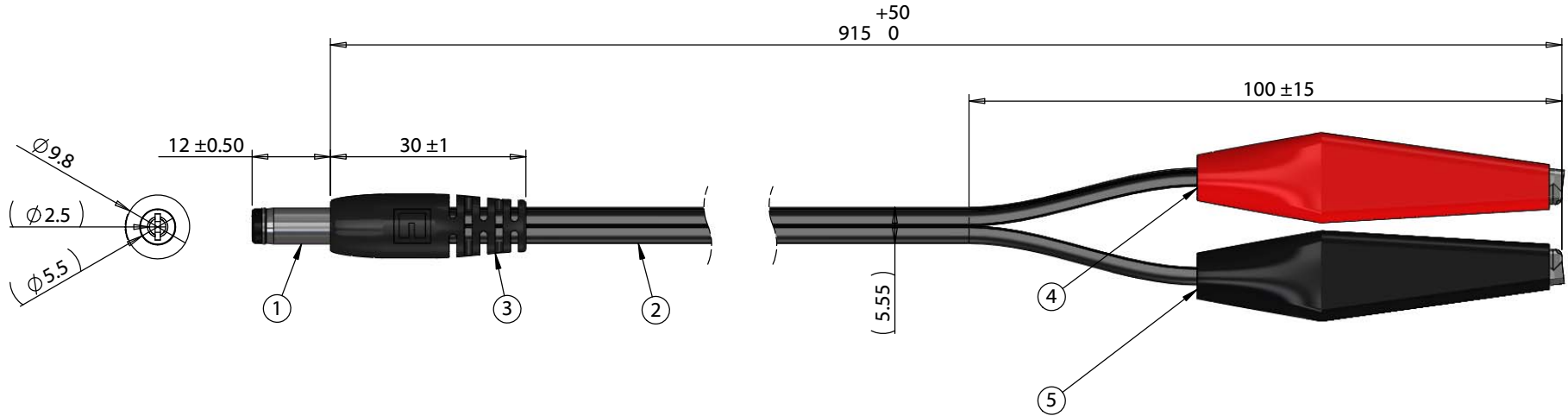


ITEM NO.	PART NUMBER	DESCRIPTION	QTY.	COMPONENT NOTES
1	50-00026	Connector, dc plug, 5.5x2.5xL23 mm, molding style, spring contacts	1	
2	30-00242	Wire, 2C, 18 AWG, UL SPT-1, 300V, 105C, 5.55 mm, VW-1, PVC	1	
3	24-00201	Overmold, PVC, dc plug	1	black
4	50-00555	Connector, 50 mm, alligator clip, red sleeve	1	
5	50-00556	Connector, 50 mm, alligator clip, black sleeve	1	



Notes:
Functionally equivalent components may be substituted

Wiring Diagram		
50-00026	wire color	alligator clip
center	black with tracer	50-00555/red
sleeve	black	50-00556/black

Revision:	Date:	Description:	Prepared:	Notes:	<h1>TENSILITY</h1> <p>tel 1.541.323.3228 800 877.670.7118 fax 1.541.323.4202 web tensility.com</p>
A	5/23/2017	Initial release	Verified:	RoHS and REACH compliant	
			Dimensions are in millimeters. Tolerances: X: ± 0.5 mm X.X: ± 0.3 mm X.XX: ± 0.05 mm	Function test: no open, no short circuit, no intermittent	
				Description: Cable, 915 mm, 5.5x2.5 mm 50-00026 dc plug to alligator clips, 18 AWG, 30-00242 wire	
Scale: 1:1		Part number: 10-02459		Sheet 1 of 2	

5

↑

4

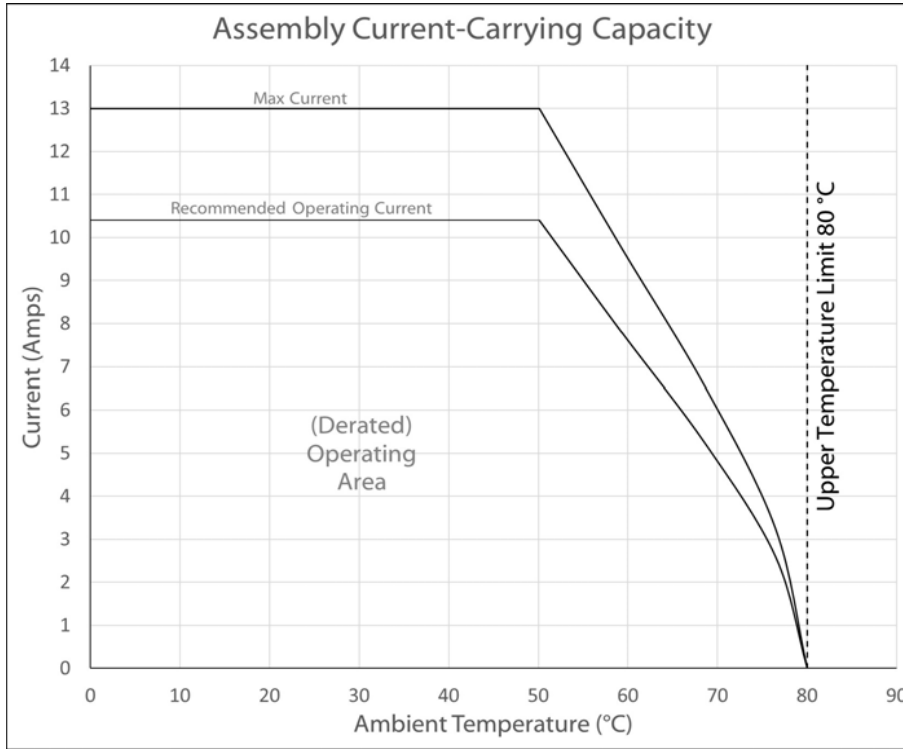
3

2

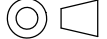
1

Electrical Requirements

Operating Voltage: 48 V
 Max Current: 13 A



Testing based on IEC 60512-5-2. Max current curve generated with isolated test article under controlled environmental conditions, and does not take into account external factors such as housings or circuitry. Recommended operating current curve (derated to 80% of max values) accounts for external factors, manufacturing variation, and error in temperature measurements.

Revision:	Date:	Description:	Prepared:	Notes: RoHS and REACH compliant	TENSILITY tel 1.541.323.3228 800 877.670.7118 fax 1.541.323.4202 web tensility.com
A	5/23/2017	Initial release	Verified:		
			Dimensions are in millimeters. Tolerances: X: ± 0.5 mm X.X: ± 0.3 mm X.XX: ± 0.05 mm	Description:	Size: Part number:
				Cable, 915 mm, 5.5x2.5 mm 50-00026 dc plug to alligator clips, 18 AWG, 30-00242 wire	A 10-02459
				Scale: 1:1	Scale: 1:1  Sheet 2 of 2