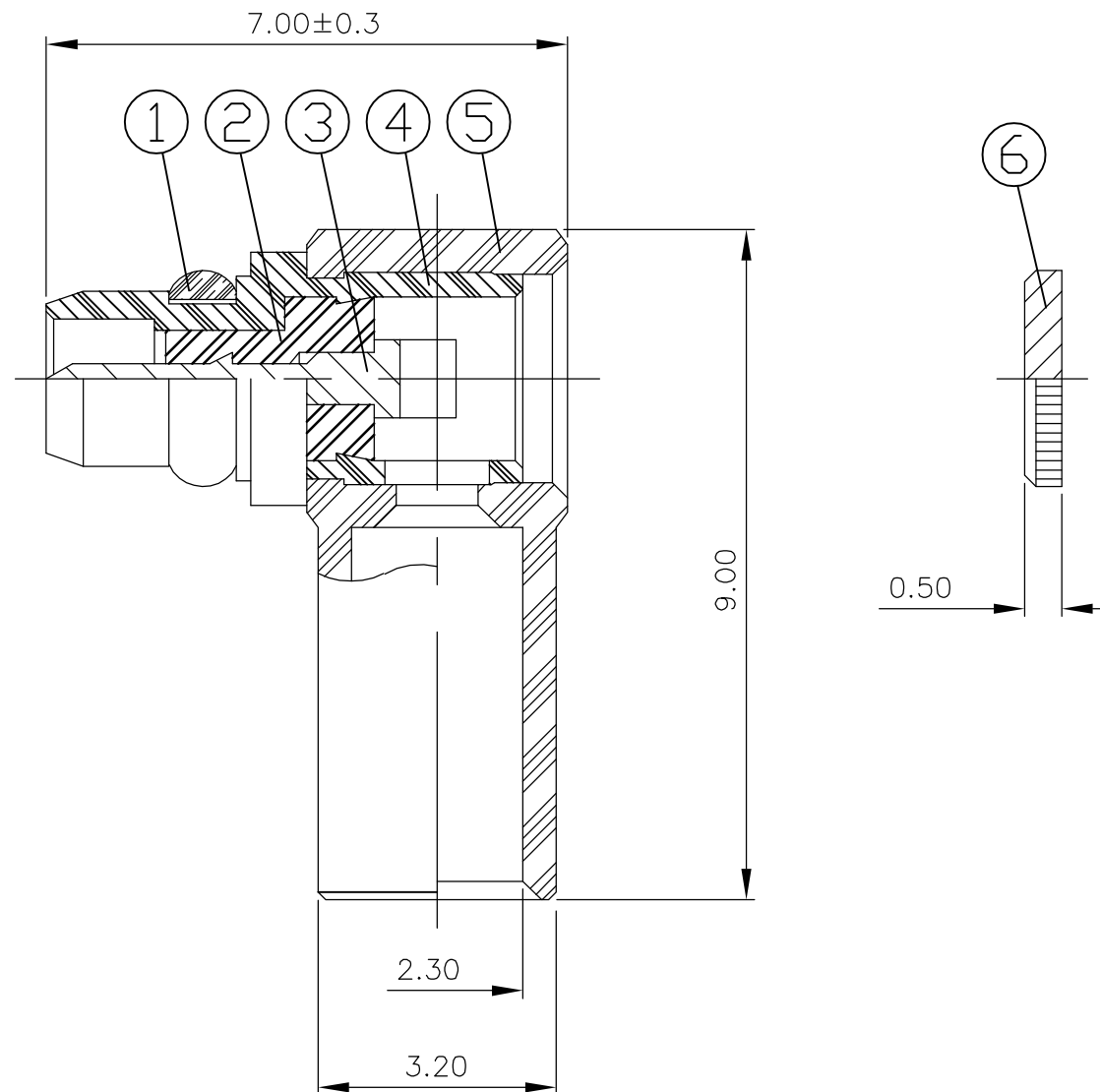


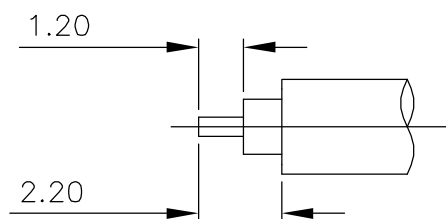
| LOC | DIST | REVISIONS |     |              |         |     |      |
|-----|------|-----------|-----|--------------|---------|-----|------|
| E   | B    | P         | LTR | DESCRIPTION  | DATE    | DWN | APVD |
|     |      | A         |     | EBD0-0122-04 | 25FEB04 | JMS | FWK  |

NOTES:

- 1 SINGLE PACK IN ACCORDANCE WITH AMP SPEC 107-3275
- 2 100 TRAY PACK IN ACCORDANCE WITH AMP SPEC 107-3275
- 3 0.08µm Au PLATING OVER 1.27µm Ni PLATING OVER 0.76µm Cu PLATING
- 4 0.76µm Au PLATING OVER 1.27µm Ni PLATING OVER 0.76µm Cu PLATING
- 5 FOR TECHNICAL DATA REFER TO YOUR LOCAL TYCO ELECTRONICS SALES OFFICE
- 6 ALL DIMENSIONS ARE NOMINAL FOR REFERENCE ONLY UNLESS OTHERWISE STATED



RECOMMENDED CABLE STRIPPING DIM'S



| QTY  | QTY  | MATERIAL         | DESCRIPTION    | ITEM |
|------|------|------------------|----------------|------|
| 1    | 1    | BRASS            | ACCESS CAP     | 6    |
| 1    | 1    | BRASS            | BODY           | 5    |
| 1    | 1    | BRASS            | BODY           | 4    |
| 1    | 1    | BRASS            | PIN            | 3    |
| 1    | 1    | PTFE             | INSULATOR      | 2    |
| 1    | 1    | BERYLLIUM COPPER | RETAINING RING | 1    |
| 1--1 | 1--0 | MATERIAL         | DESCRIPTION    | ITEM |
| 2    | 1    |                  |                |      |

|  |  |                                   |  |                         |
|--|--|-----------------------------------|--|-------------------------|
| THIS DRAWING IS A CONTROLLED DOCUMENT. |  | DWN<br>J.SANDWELL<br>25FEB04      | Tyco Electronics Corporation<br>Bideford, UK, EX39 4HE     |                         |
| DIMENSIONS:<br>MM                      |  | CHK<br>S.PARLOW<br>25FEB04        |  |                         |
| TOLERANCES UNLESS OTHERWISE SPECIFIED: |  | APVD<br>F.WHEELER-KING<br>25FEB04 | NAME<br>GOLD PLATED MMCX ELBOW PLUG<br>RG405 DIRECT SOLDER |                         |
| 0 PLC ± -                              |  | PRODUCT SPEC<br>108-3462          | SIZE<br>A3   |                         |
| 1 PLC ± -                              |  | APPLICATION SPEC<br>411-3279      | CAGE CODE<br>00779   | DRAWING NO<br>C-1634591 |
| 2 PLC ± -                              |  | WEIGHT<br>-                       | RESTRICTED TO<br>-   |                         |
| 3 PLC ± -                              |  | MATERIAL<br>SEE TABLE             | SCALE<br>NTS   |                         |
| 4 PLC ± -                              |  |                                   | SHEET<br>1 OF 1  |                         |
| ANGLES ± 5                             |  | CUSTOMER DRAWING                  |  | REV<br>A                |