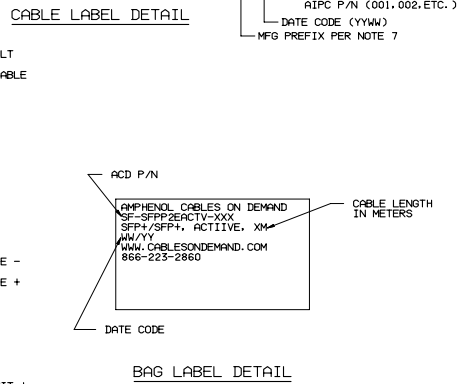
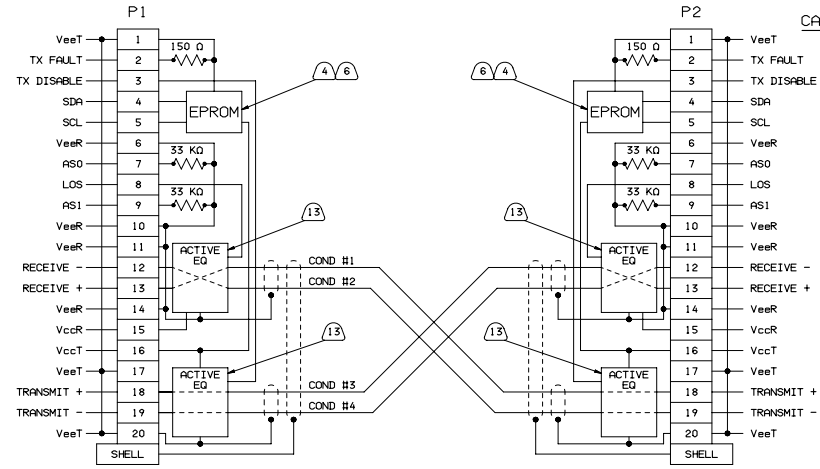
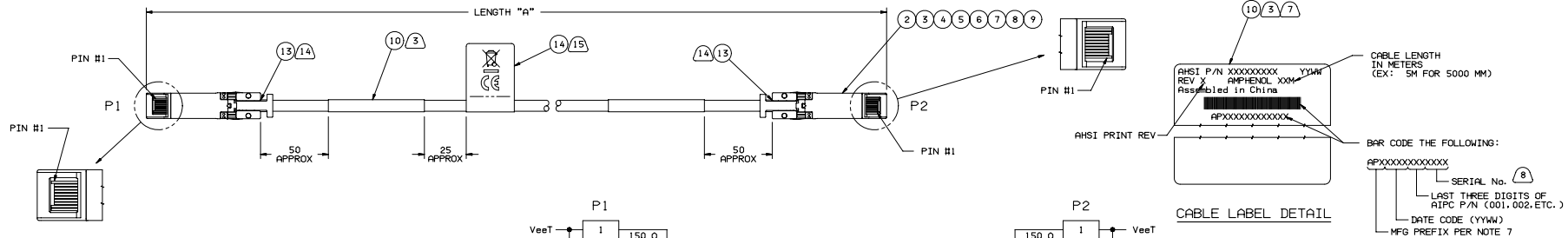


AMPHENOL P/N	LENGTH "A"	WIRE AWG (REF)	EPROM REV	ACD P/N
624370001	1000 ±25	30G	A	SF-SFPP2EACTV-001
624370003	3000 ±75	30G	A	SF-SFPP2EACTV-003
624370005	5000 ±125	30G	A	SF-SFPP2EACTV-005
624370007	7000 ±175	30G	A	SF-SFPP2EACTV-007
624370010	10000 ±250	28G	A	SF-SFPP2EACTV-010

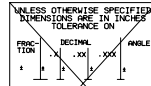
REVISIONS				
ZONE	LT#	DESCRIPTION	DATE	APPROVED
A		NEW RELEASE PER EON 304429	7/13	DEC



16. SOLDER PER AMPHENOL CS-1186 (LEAD FREE SOLDER).
15. PERMANENTLY MARK LABEL WITH "WEEE" LOGO AND "CE" LOGO, REF AHSI SPEC CS-1210. A ROHS2 CERTIFICATE OF COMPLIANCE MUST BE INCLUDED IN EACH SHIPPING CARTON.
14. WRAP ONE TURN OF COPPER TAPE AROUND CABLE JACKET END BEFORE PULLING BACK BRAID.
13. CAUTION: EXCESSIVE FLUX WILL DAMAGE COMPONENTS. IF REQ'D, APPLY FLUX TO WIRE DURING SOLDERING. DO NOT APPLY FLUX TO PCB.
12. ALL MATERIALS USED IN THE MANUFACTURE OF THIS ASSEMBLY SHALL COMPLY WITH AMPHENOL REGULATED MATERIALS SPECIFICATION CS-1152.
11. UNLESS STATED OTHERWISE, ALL DIMENSIONS ARE IN MILLIMETERS (MM).
10. POT MOLD BOTH CABLE ENDS PER MFG PROCESS. A SECONDARY POT MOLD SHALL BE ADDED TO COVER CABLE TERMINATION AREAS.
9. CAUTION: ANTI-STATIC CONTROL MEASURES MUST BE OBSERVED DURING THE MANUFACTURE OF THIS ASSEMBLY.
8. EPROM PROGRAM PER AMPHENOL SPEC CS-1154. EPROM SERIAL No. MUST MATCH CABLE LABEL SERIAL No.
7. MARK LABEL WITH SERIAL NUMBER. MEXICO LOCATION PREFIX IS "APE"; ENDICOTT LOCATION PREFIX IS "APL"; CHINA LOCATION PREFIX IS "APF".
6. INSTALL DUST COVER OVER APPLICABLE CONNECTOR PER MFG PROCESS PRIOR TO SHIPMENT TO CUSTOMER.
5. PACKAGE COMPLETED ASSY IN AN APPROPRIATELY SIZED ANTI-STATIC BAG. LABEL PER BAG LABEL DETAIL.
4. UL LABEL MUST BE ON THE SHIPPING CARTON PER SUBJECT 764 OF THE UL COMPONENT WIRING HARNESS (ZPFM2) FILE #86140. CSA LABEL MUST BE ON SHIPPING CARTON.
3. PRE-PRINTED LABELS WITH THE INFORMATION SHOWN IN THE CABLE LABEL DETAIL ARE POSITIONED WITHIN THE INDICATED AREA ON THE CABLE ASSEMBLY.
2. TEST COMPLETED ASSEMBLIES PER AMPHENOL CS-1155. TEST ASSEMBLIES AT 10.3125 Ghz.
1. THIS DRAWING IS RESERVED FOR AMPHENOL CABLES ON DEMAND.

NOTES: UNLESS OTHERWISE SPECIFIED

THE INFORMATION CONTAINED IN THIS DRAWING IS THE SOLE PROPERTY OF AMPHENOL INTERCONNECT PRODUCTS CORPORATION. ANY REPRODUCTION OR DISCLOSURE, TO THIRD PARTIES, IN PART OR WHOLE, WITHOUT THE EXPRESS WRITTEN PERMISSION OF AMPHENOL INTERCONNECT PRODUCTS CORPORATION IS PROHIBITED.



SIGNATURES		DATE	Amphenol Interconnect Products	
DRAWN D. CASHIMERE		7/13	CBL ASSY, 10GbE, SFP+ TO SFP+, ACT. LIMITING, 1000	
CHECKED			SIZE D	62437XXXX
APPROVED			SCALE: NONE	SHEET 1 OF 1

