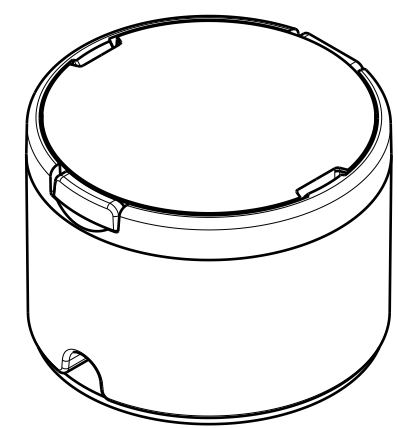
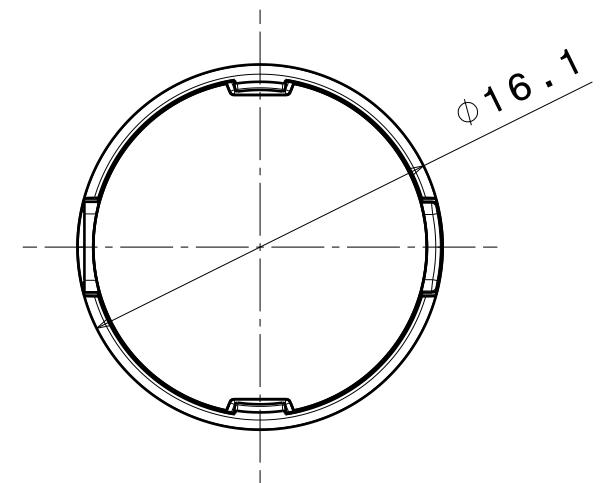


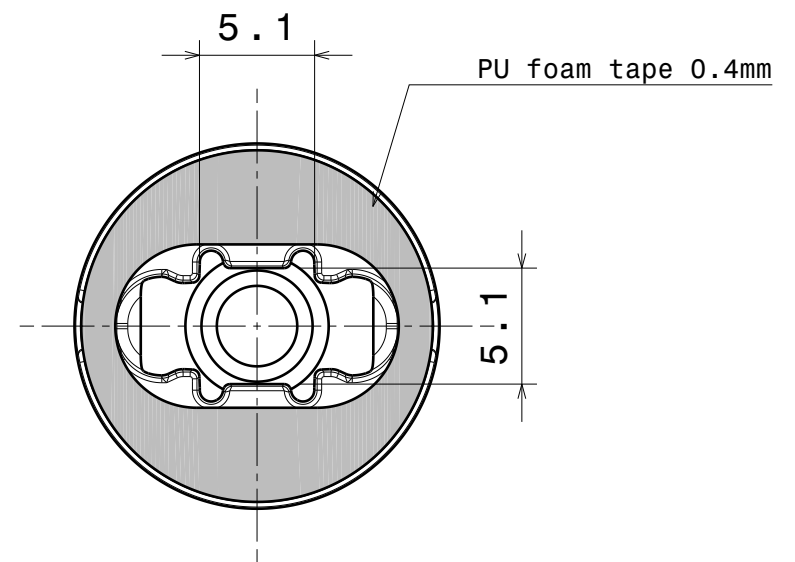
Front view



Isometric view  
Scale: 3:1



Top view



Bottom view

**GENERAL MOULDING TOLERANCES**

| Dimension [mm] | PMMA / PC |
|----------------|-----------|
| >0-6           | ± 0.2     |
| >6-22          | ± 0.25    |
| >22-40         | ± 0.30    |
| >40-90         | ± 0.44    |
| >90-160        | ± 0.60    |
| >160-200       | ± 0.70    |
| >200-315       | ± 1.1     |

| PART                       | TYPE | MATERIAL | COLOR / COATING |
|----------------------------|------|----------|-----------------|
| F10638_TINA-N83-H-TAPE-WHT |      | PC       | white           |
| TINA lens                  |      | PMMA     |                 |

|   |                             |   |
|---|-----------------------------|---|
| <b>MECHANICAL DRAWING</b>   |                             | <b>LEDiL®</b>   |
| PRODUCT <b>TINA N083 series</b>   |                             |   |
| Tolerances if not otherwise shown<br>According to DIN ISO 2768-1<br>Linear measures: Up to 30mm<br>class M, otherwise class C.<br>According to DIN ISO 2768-2<br>Form and position: class L | FIRST ANGLE PROJECTION:<br> | This drawing is the property of LEDiL Oy. It may not be reproduced, copied or communicated without a written agreement with LEDiL Oy. |
| SCALE 3:1   | WEIGHT 2 g                  | A3 SHEET 1/1  |