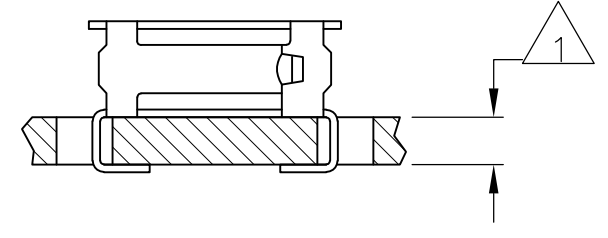
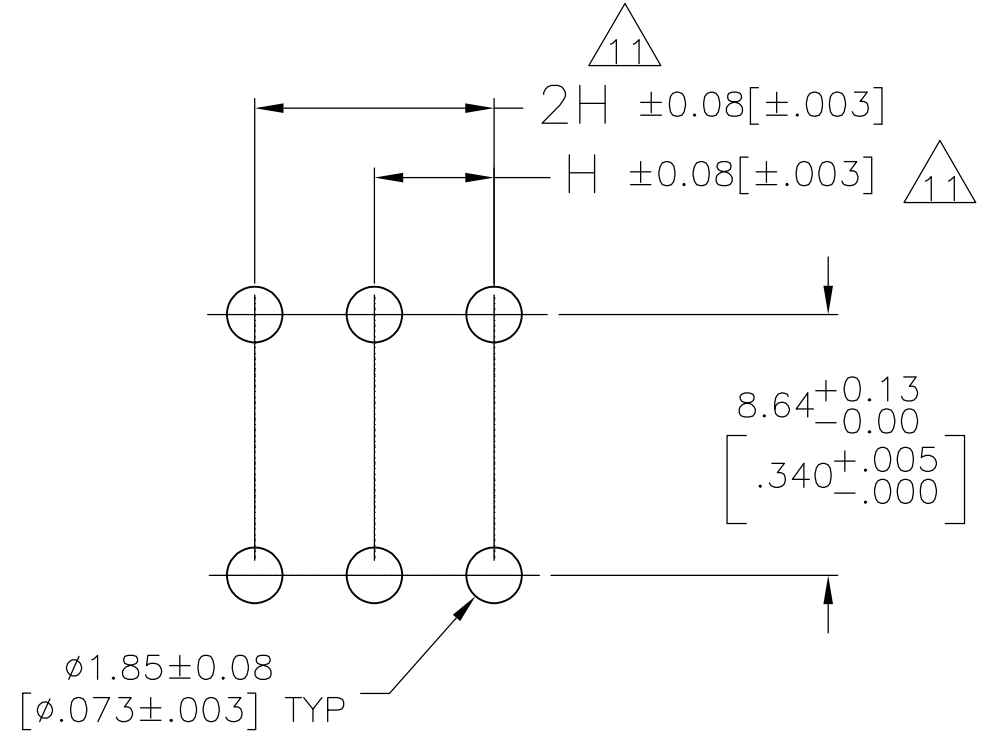
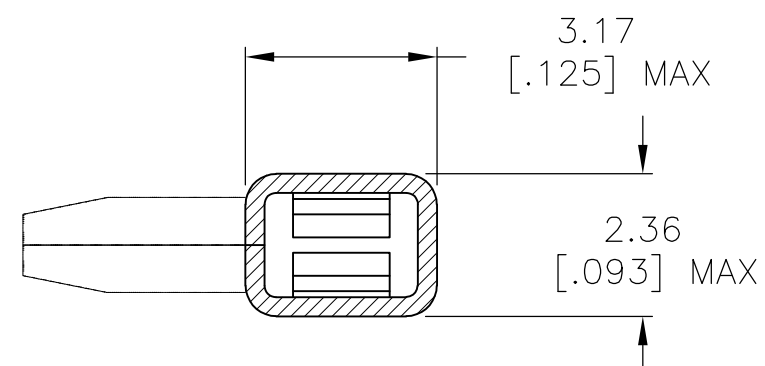
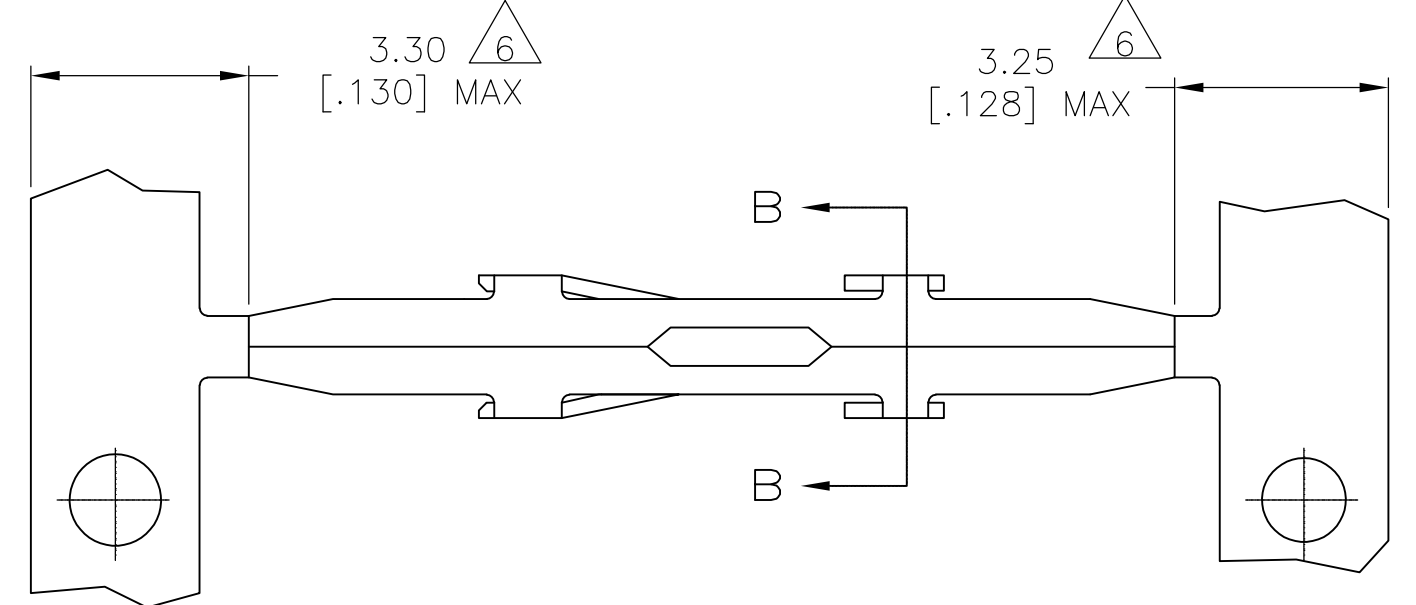
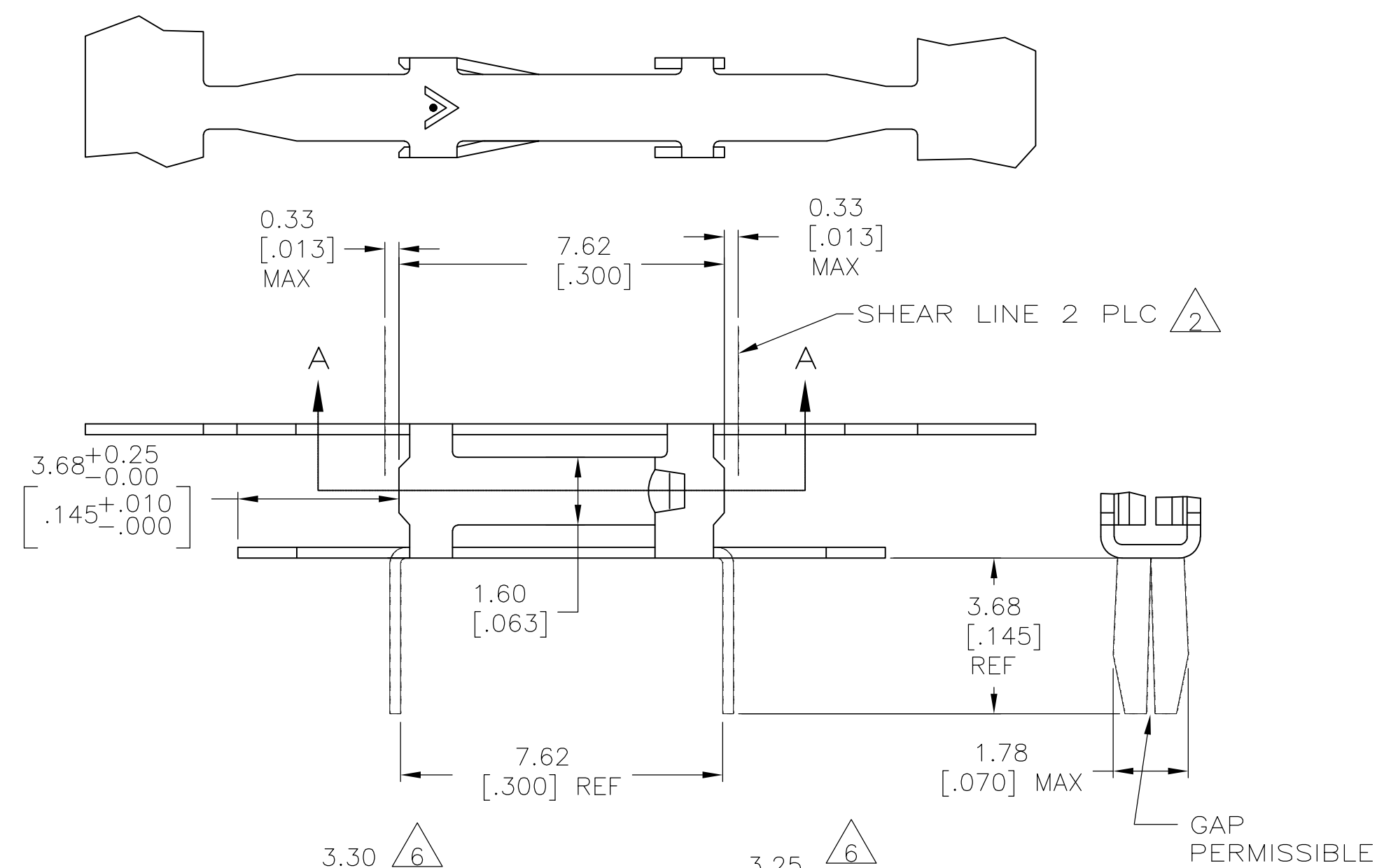
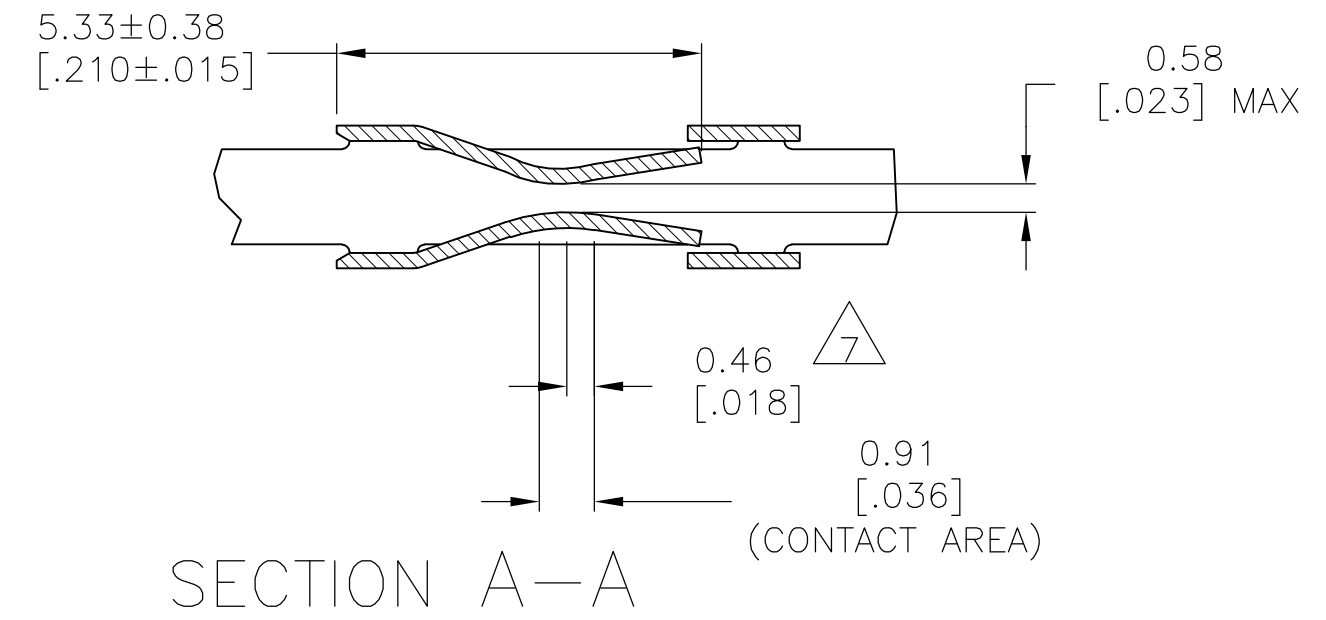


THIS DRAWING IS UNPUBLISHED. RELEASED FOR PUBLICATION
 © COPYRIGHT BY TYCO ELECTRONICS CORPORATION. ALL RIGHTS RESERVED.

LOC	DIST	REVISIONS					
AD	00	P	LTR	DESCRIPTION	DATE	DWN	APVD
		H1		REVISED PER ECO-09-021826	6JAN10	KK	AEG



- 1 THICKNESS OF CUSTOMERS P.C. CARD 1.58[.062] OR 1.36[.093]
- 2 CONTACT LEGS SHOWN IN PHANTOM AND SHEAR LINES DEFINE LOOSE PIECE PART.
- 3 0.25[.010] COML. PHOS. BRZ.
- 4 0.00076[.000030] GOLD OVER 0.00127[.000050] NICKEL IN CONTACT AREA AND REMAINDER GOLD FLASH OVER 0.00127[.000050] NICKEL.
- 5 GOLD FLASH OVER 0.00127[.000050] NICKEL, 0.00038[.000015] GOLD ON CONTACT AREA.
- 6 GOLD PLATING NOT REQUIRED IN THIS AREA.
- 7 POINT OF MEASUREMENT FOR PLATING THICKNESS.
- 8 0.00254[.000100] TIN OVER 0.00127[.000050] NICKEL.
- 9 0.00076[.000030] GOLD OVER NICKEL.
- 10 0.00254-0.00508[.000100-.000200] BRIGHT TIN OVER 0.00076-0.00178[.000030-.000070] NICKEL.
- 11 "H" RECEPTACLE CENTERS MAY VARY DEPENDING ON REQUIREMENTS. MINIMUM NOMINAL CENTERLINE SPACING BETWEEN ADJACENT RECEPTACLES IS 3.18[.125].
- 12 0.00200 [.000079] MIN TIN.
- 13 OBSOLETE PARTS: OBSOLETE CIS STREAMLINING PER D.RENAUD/D.SINISI



13	OBSOLETE	86434-7	5	3	86432-9
	OBSOLETE	86434-6	4	3	86432-8
	OBSOLETE	86434-5	8	3	86432-5
	OBSOLETE	86434-4	9	3	86432-4
	OBSOLETE	86434-3		3	86432-3
	OBSOLETE	86434-2	10	3	86432-2
		86434-1	12	3	86432-1
	LOOSE PIECE PART NO.	FINISH	MATERIAL	PART NUMBER	

THIS DRAWING IS A CONTROLLED DOCUMENT.		DWN E.BRANDBERG 28DEC96	tyco Tyco Electronics Corporation	
DIMENSIONS: mm [INCHES]		CHK J. HERRINGTON 28DEC96	Harrisburg, Pa 17105-3608	
TOLERANCES UNLESS OTHERWISE SPECIFIED:		APVD J. HERRINGTON 28DEC96	NAME	
0 PLC ± -		PRODUCT SPEC	FEMALE CONTACT	
1 PLC ± -		APPLICATION SPEC	HORIZONTAL, COMMERCIAL	
2 PLC ± 0.13[.005]			CONNECTOR, MOD I, HIGH PRESSURE	
3 PLC ± -			SIZE A2	CAGE CODE 00779
4 PLC ± -			DRAWING NO C=86432	RESTRICTED TO -
ANGLES ± -		WEIGHT -	SCALE 8:1	SHEET 1 OF 1
FINISH		CUSTOMER DRAWING	REV H1	