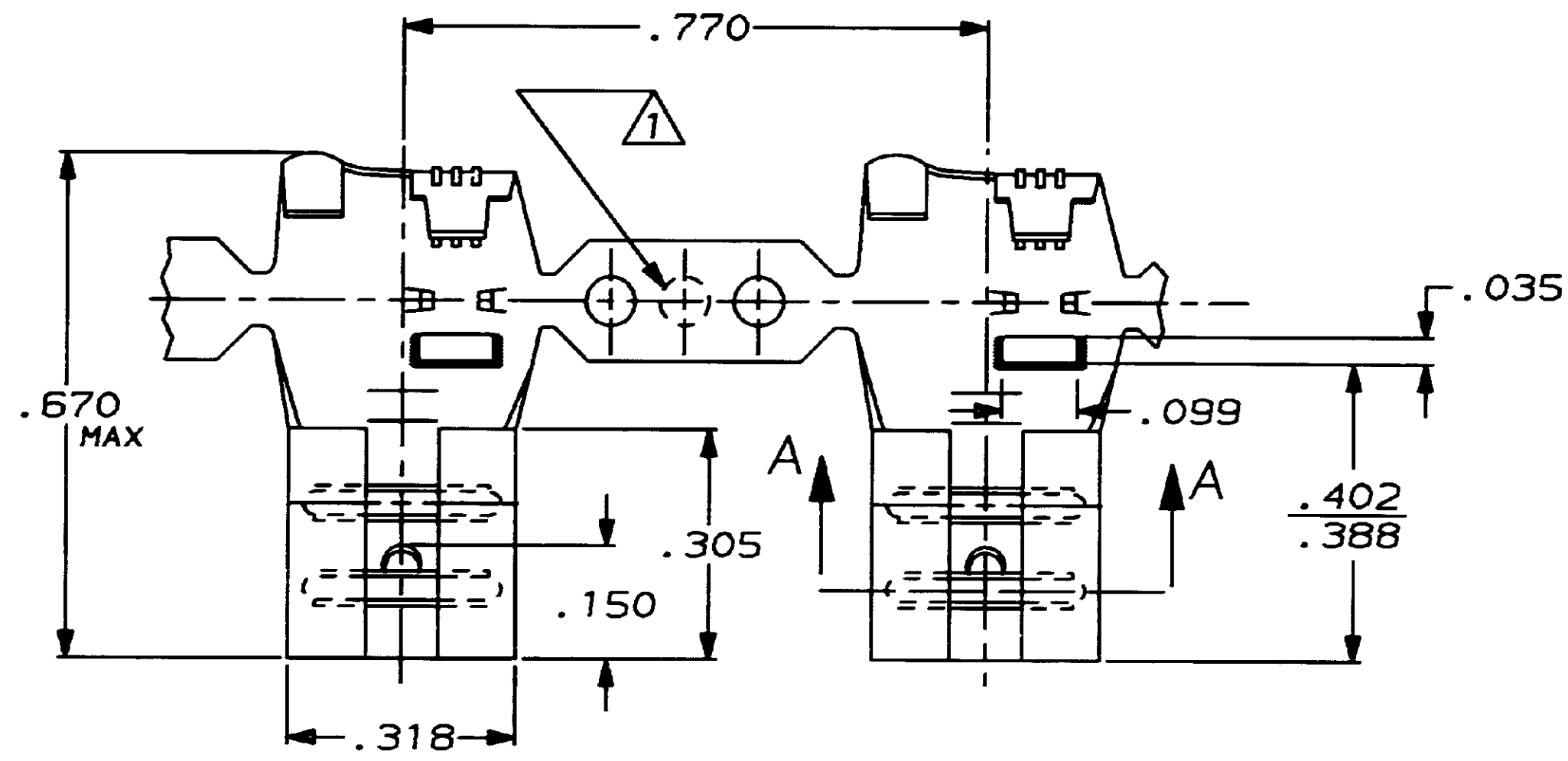
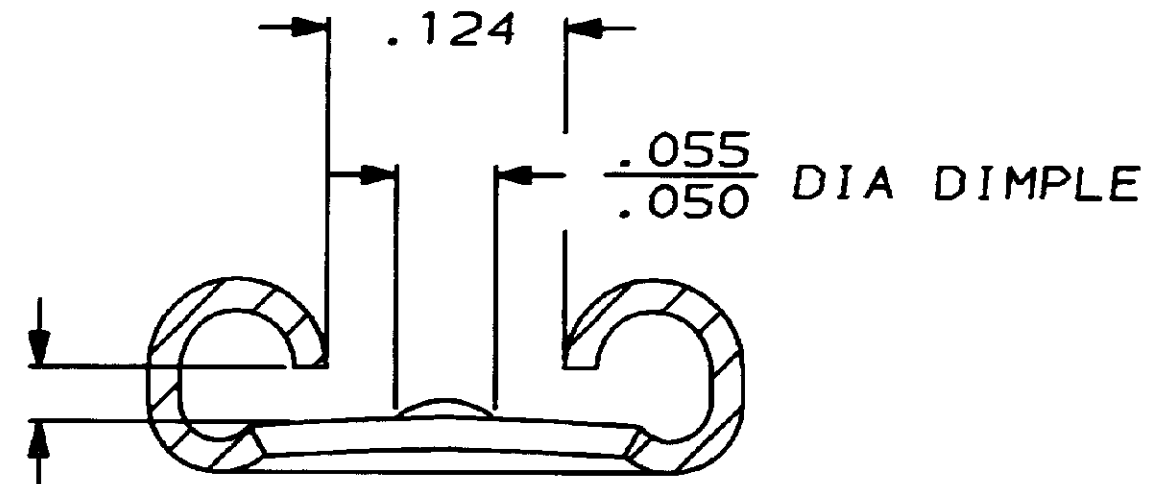


THIS DRAWING IS UNPUBLISHED. RELEASED FOR PUBLICATION ,19 .
 © COPYRIGHT 19 BY AMP INCORPORATED. ALL INTERNATIONAL RIGHTS RESERVED.

LOC	DIST	P	F	REVISIONS				
				ZONE	LTR	DESCRIPTION	DATE	APPD
AF	50				A	RELEASED AF-8036	5/18/92	JR/CH

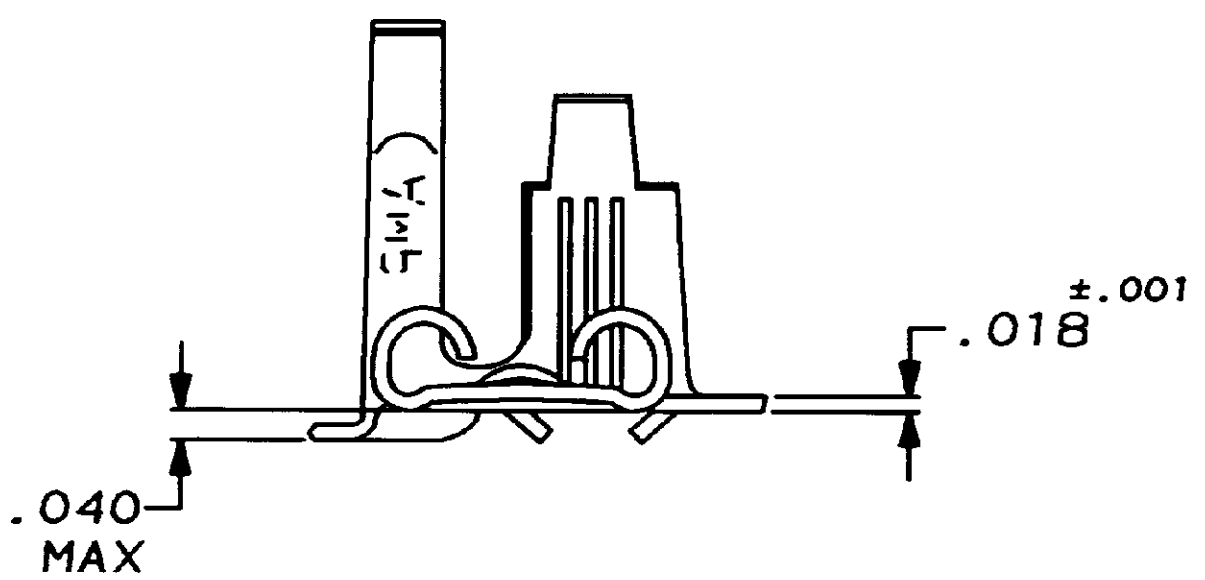


- 1 SINGLE OR DOUBLE PILOT HOLE OPTIONAL
- 2 MAX FIRST INSERTION FORCE, 20 LBS. USING GAGE 100505.



FITS .250 SERIES FASTON TAB

SECTION A-A
SCALE 8:1



.110-.210	18-12	.032	63651-1
INSULATION RANGE	WIRE SIZE	MATING TAB THK ±.001	PART NO
DO NOT SCALE PRINT. UNLESS SPECIFIED DIMENSIONS IN INCHES TOLERANCES ON: 2 PLC DEC ± - 3 PLC DEC ± .015 ANGLES ± -	DR 6/8/92 JR RUTH	AMP INCORPORATED Harrisburg, Pa. 17105	
	CHK 6/8/92 MS FEHER		
	MATERIAL	APPD 6/8/92 C MEYERS	NAME RECEPTACLE, FASTON, FLAG, .250 SERIES
#3H PHOS BRZ	APPD 6/8/92 R KUZO	SIZE	CAGE CODE
FINISH TIN	PRODUCT SPEC	B	00779
	APPLICATION SPEC	SCALE	DRAWING NO 63651
	WEIGHT -	4:1	SHEET 1 OF 1