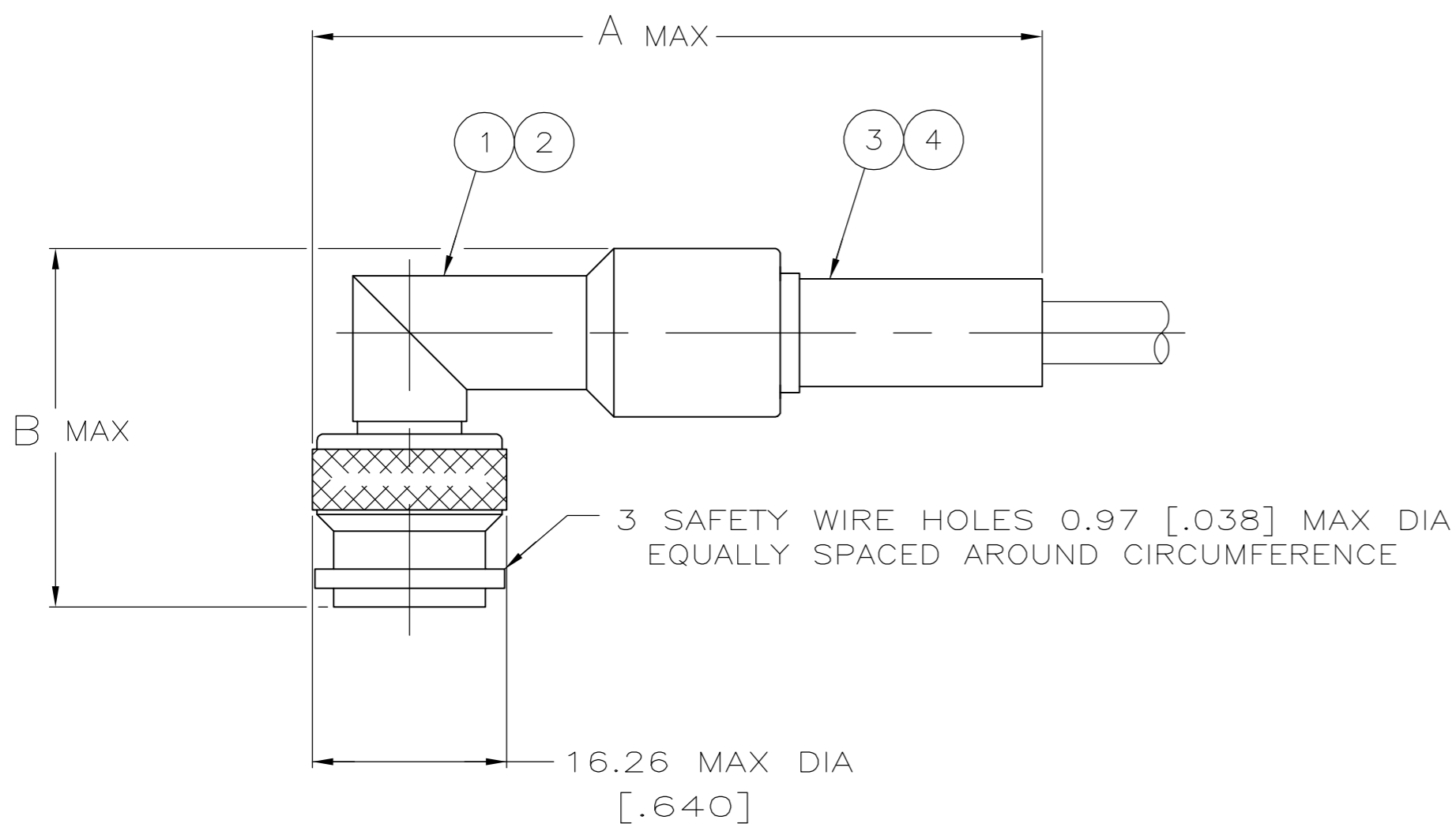


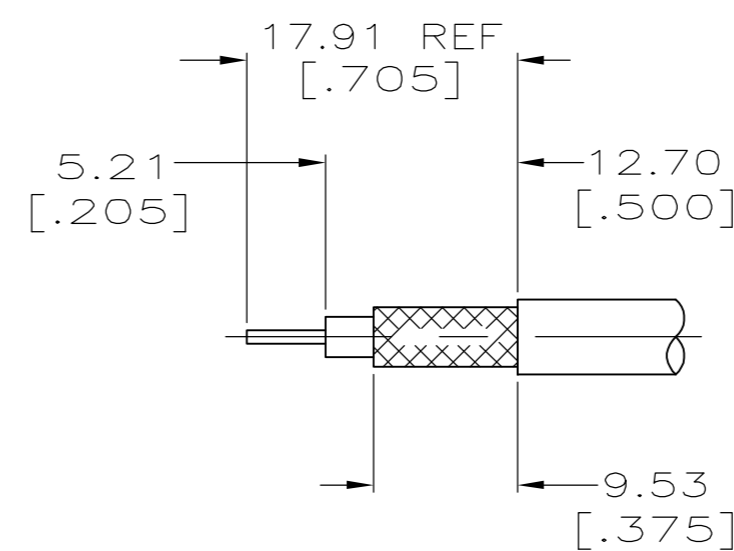
THIS DRAWING IS UNPUBLISHED. RELEASED FOR PUBLICATION  
 © COPYRIGHT BY TYCO ELECTRONICS CORPORATION. ALL RIGHTS RESERVED.

LOC	DIST	REVISIONS			
P	LTR	DESCRIPTION	DATE	DWN	APVD
AJ	16	B	REV PER ECO 06-002539	06APR06	GB JH

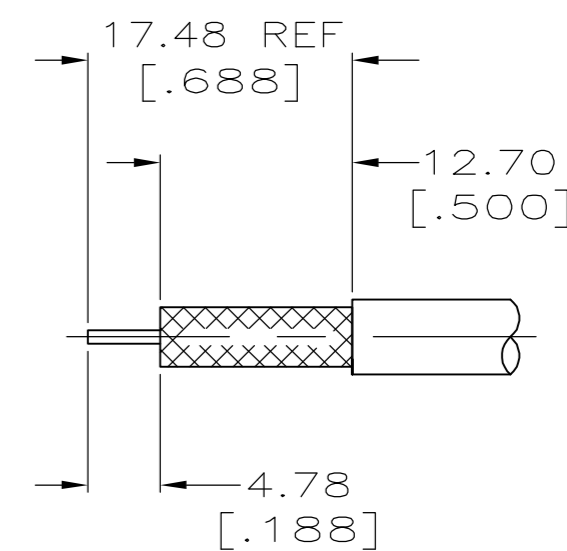
- 1. FELECA F1703/94 AND FILOTEX 50 MFCFB
- 2. SEE INSTRUCTION SHEET 408-2299-5



VIEW Z



VIEW X  
RECOMMENDED  
STRIP LENGTH



VIEW W  
RECOMMENDED  
STRIP LENGTH

△	220015-6	29.97 [1.180]	57.15 [2.250]	X AND Z	225908-1	9-331256-0	225471-7	9-225518-3	1-5225349-1
RG-9/U,9A/U & 214/U	220015-1	29.97 [1.180]	59.51 [2.343]	W AND Z	-	9-51713-4	225599-1	9-225518-0	5225349-9
CABLE SIZE	CRIMP TOOL	B	A	VIEW	4 SEAL QTY=1	3 FERRULE QTY=1	2 CONTACT QTY=1	1 PLUG ASSY QTY=1	PART NUMBER

THIS DRAWING IS A CONTROLLED DOCUMENT.

DWN	31JAN2005	Tyco Electronics Corporation Harrisburg, PA 17105-3608			
CHK	A. FERNANDEZ-DOCK5 31JAN2005				
APVD	J. HAVENER 31JAN2005				
APVD	J. LIPPERT 31JAN2005				
DIMENSIONS: INCHES		NAME PLUG, RIGHT ANGLE, SERIES TNC			
TOLERANCES UNLESS OTHERWISE SPECIFIED:					
0 PLC ± - 1 PLC ± - 2 PLC ± 0.41 [.016] 3 PLC ± - 4 PLC ± - ANGLES ± - FINISH -					
MATERIAL					
PRODUCT SPEC 108-12001		SIZE	CAGE CODE	DRAWING NO	RESTRICTED TO
WEIGHT		A2	00779	C=5225349	-
CUSTOMER DRAWING		SCALE	2:1	SHEET	1 of 1
				REV	B

5225349