

DATA SHEET

WIRELESS COMPONENTS

Ceramic Chip Antenna

ANT1204LL16R0870A

870 MHz

1204 Series



FEATURES

- Compact size
- Omni-directional Radiation
- Tape & reel automatic mounting
- Reflow process compatible
- RoHS compliant

APPLICATIONS

- Smart meter
- Industrial remote control
- ISM band equipment

ORDERING INFORMATION

All part numbers are identified by the series, packing type, material, size, antenna type, working frequency and packing quantity.

PART NUMBER

ANT 1204 L L16 R 0870A
 (1) (2) (3) (4) (5) (6)

(1) PRODUCT

ANT = Antenna

(2) SIZE

1204 = 12 x 4 mm

(3) ANTENNA TYPE

L,F,A = Chip Antenna

(4) SERIAL NO.

L16

(5) PACKING STYLE

R = Tape and Reel

(6) WORKING FREQUENCY

0870 = 870 MHz

PHYCOMP CTC

CAN4311759160871K

I2NC

431175916087

SPECIFICATION

Table I

DESCRIPTION	VALUE
Centre Frequency	870 MHz
Bandwidth	15 MHz (Typ.)
Return Loss	6.49 dB min
Polarization	Linear
Azimuth Beamwidth	Omni-directional
Peak Gain	1.05dBi
Impedance	50 Ω
Operating Temperature	- 40~105 °C
Maximum Power	1 W
Termination	Ni / Sn (Environmentally-Friendly Leadless)
Resistance to Soldering Heats	260°C , 10sec.

NOTE

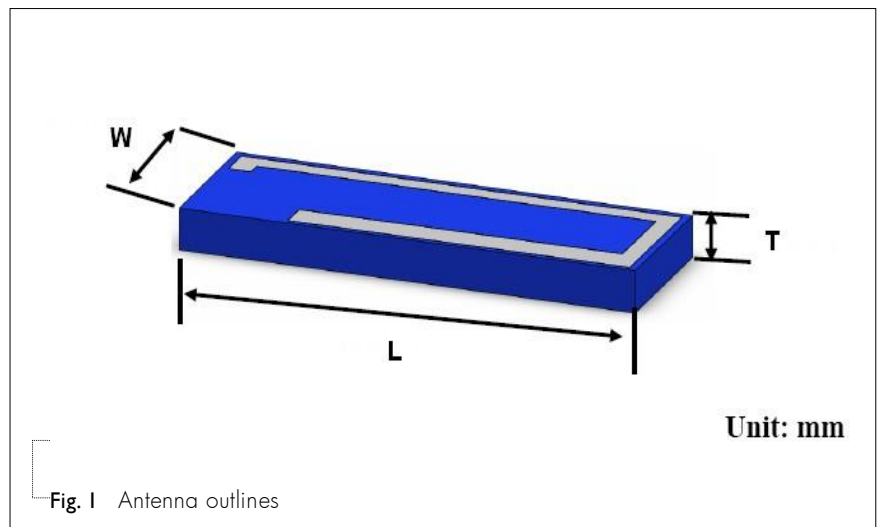
I. The specification is defined on Yageo evaluation board

OUTLINES

DIMENSIONS

Table 2 Machinical Dimension

	DIMENSION
L (mm)	12.0±0.10
W (mm)	4.0±0.10
T (mm)	1.20±0.10



ELECTRICAL PERFORMANCES

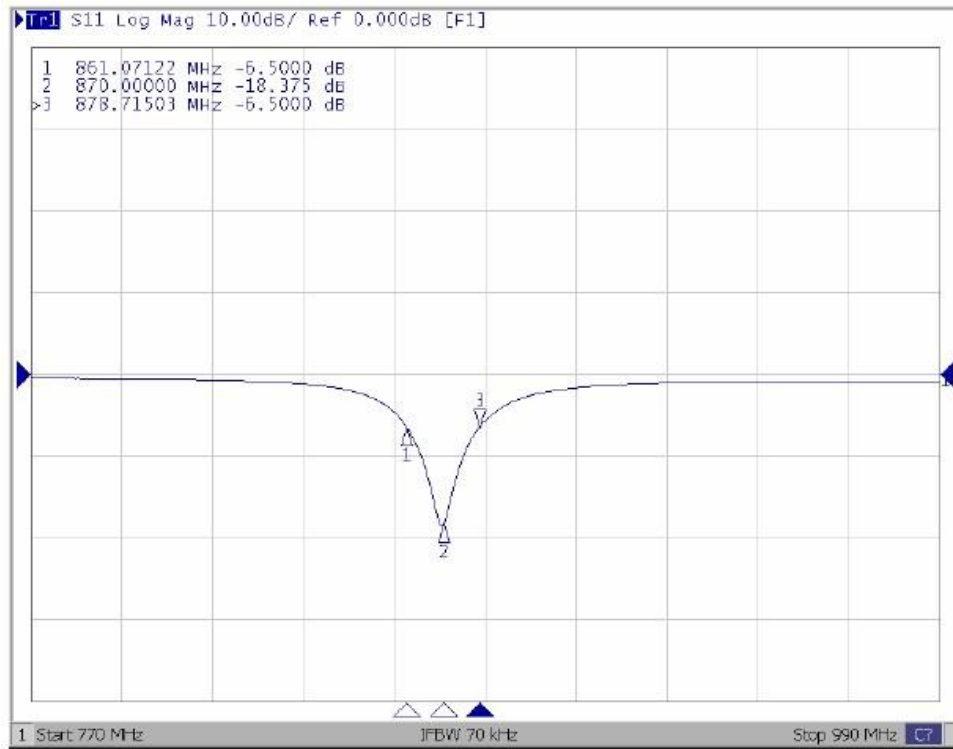


Fig. 4 Return loss

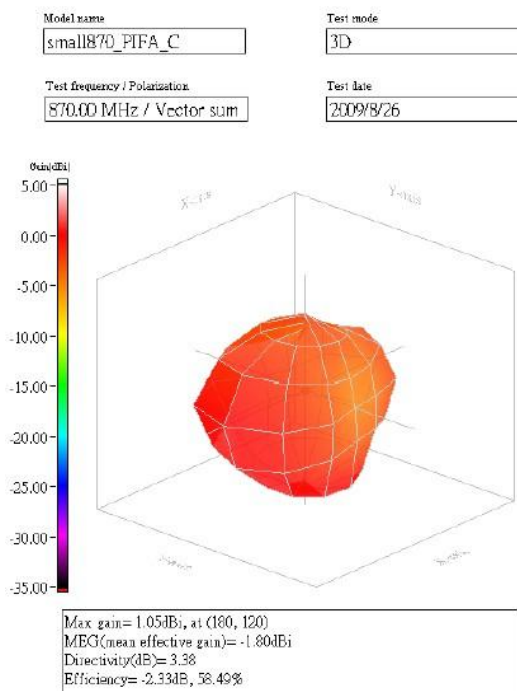


Fig. 5 Radiation pattern

REVISION HISTORY

REVISION	DATE	CHANGE NOTIFICATION	DESCRIPTION
Version 0	Ma. 28, 2016 -		- New data sheet for Ceramic Chip Antenna, 870MHz, size 12 × 4 mm