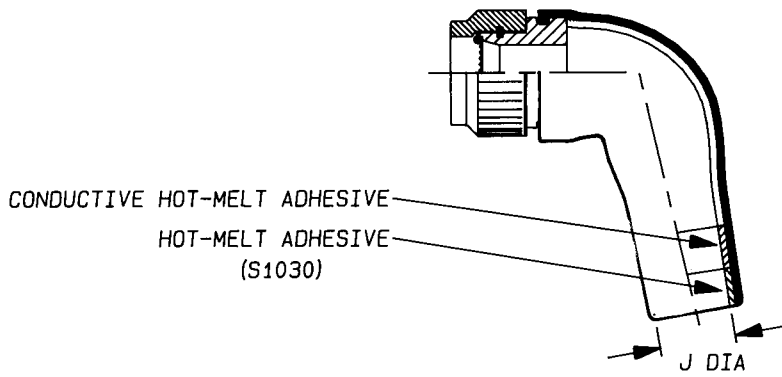
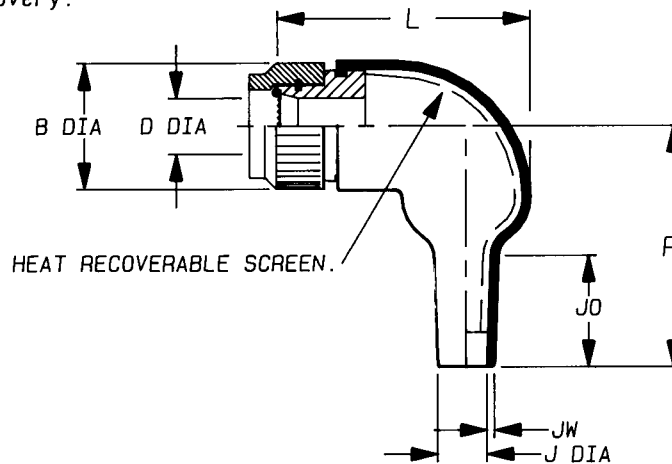


a) Part as supplied.

KTKK 1131-1138



b) Part after unrestricted recovery.



Raychem connector code: - 40

Connector series: - MIL-C-38999 SERIES 3 & 4

Adaptor Series: - 208M7\*\*-19-B\*\*-K-NS

Moulded Part Material: - -25S

Kits to include cleaning tissue, 1 piece 100 grit emery cloth & packing piece.

Kit to be used in conjunction with installation guide for 90 & 45 deg. assemblies.

Dimensions (in millimetres.)

Part No.	SHELL SIZE	B	D	J		L	P	JO	JW
		DIA MAX	DIA MIN	MIN a	MAX b	±10% b	±10% b	REF b	±30% b
KTKK 1131	B	21.7	9.3	13	6.0	40	38	17	1.0
KTKK 1132	C	25.5	12.9	15	7.2	43	42	18	1.0
KTKK 1133	D	29.3	14.1	15	7.2	43	42	18	1.0
KTKK 1134	E	31.9	18.8	19	8.5	50	51	20	1.0
KTKK 1135	F	35.7	18.8	19	8.5	50	51	20	1.0
KTKK 1136	G	38.2	23.6	24	10.0	57	67	28	1.5
KTKK 1137	H	42.0	23.6	24	10.0	57	67	28	1.5
KTKK 1138	J	44.6	30.9	33	15.8	66	80	31	1.5

Copyright (!)

Urheberrechte

The copyright in this drawing is the property of Raychem Ltd. The drawing is issued on condition that it is not copied, reproduced or disclosed to a third party, either in whole or in part without the prior written consent of Raychem Ltd.

Drawn A.LILLEY. Checked *XL* Issue 4 Date April 1995

Conforms to ISO Recommendations  
3rd Angle Projection  
Not to Scale

Approval  
Design

*AARS*

MKTG.

*XL*

Q.C.

*MC*

