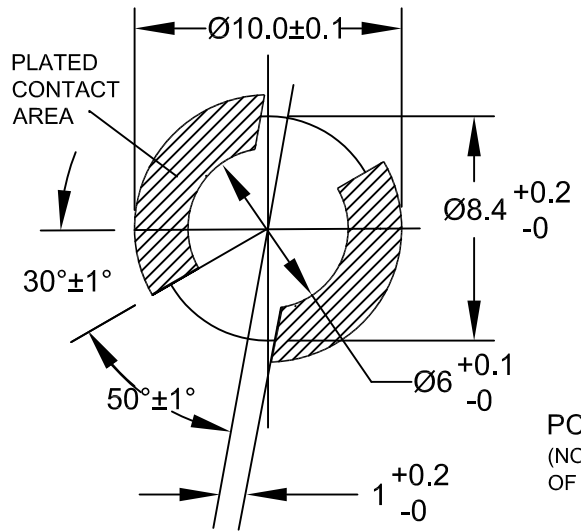
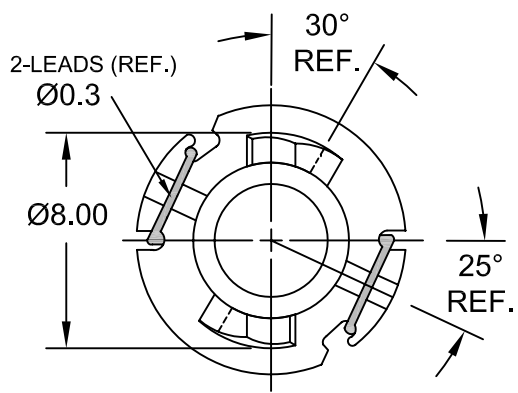
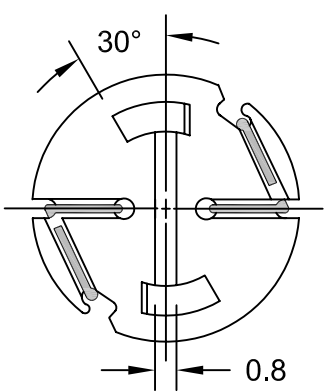
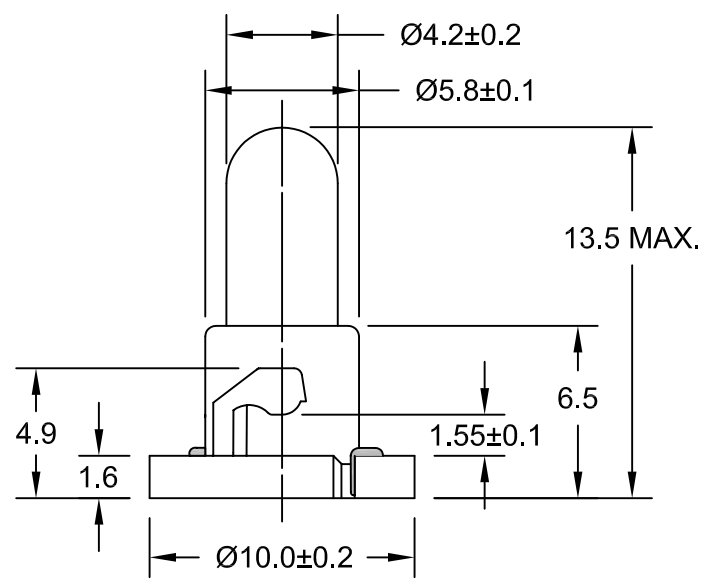


REV.	DESCRIPTION/ECO NO.	DATE
	RELEASED	5/21/01
A	CHANGE TO (Pb) FREE ASSY.	2/17/05



PC BOARD PUNCH PATTERN
(NO TREATMENT, SUCH AS APPLICATION OF FLUX, SHALL BE DONE.)

PC BOARD PUNCH PATTERN



JKL PART NO.: DNW1-DW33/GRA***

JKL LAMP NUMBER	VOLTS RATED	AMPS ±10%	*MSCP ±25%	*LUMENS ±25%	AVERAGE LIFE HRS.	FILAMENT TYPE
DNW1-DW33**	14.0	.125	0.7	9.0	5,000 D.C.	C-2F

BASE COLOR: GRAY

* LAMP RATED ONLY WITHOUT BASE.

** LAMP GLASS LEAD (Pb) FREE

*** LAMP AND ASSEMBLY LEAD (Pb) FREE.

CONTACT JKL FOR LEAD (Pb) FREE LOT IDENTIFICATION.

<p>METRIC THIRD ANGLE PROJECTION</p>	DIMENSIONS ARE IN MILLIMETERS TOLERANCE UNLESS OTHERWISE SPECIFIED 1 PL +/- 0.2 2 PL +/- 0.20 ANGLE +/- 0		<h1>JKL COMPONENTS CORPORATION</h1>						
	DRAWN BY L. WENGSTROM		APPV'D BY J.K.		DATE 2/17/05		SIZE A	FSCM NO. 55335	DRAWING NO. DNW1-DW33/GRA
- CAD DRAWING - MANUAL REVISIONS NOT PERMITTED			SCALE NONE	RELEASED DATE 5/21/01	REVISION DATE 2/17/05	REV. NO. A	SHEET 1 OF 1		
TITLE T-1 1/4 NEO-WEDGE GRAY BASE WITH DW33 LAMP									