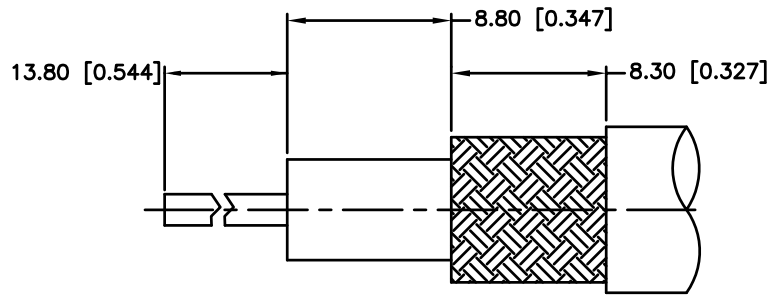
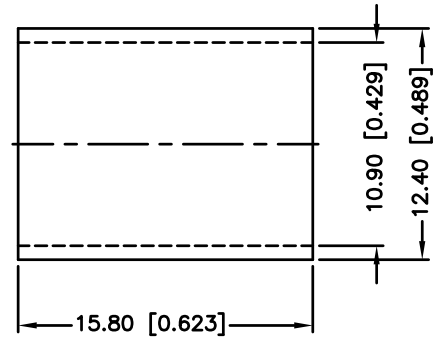
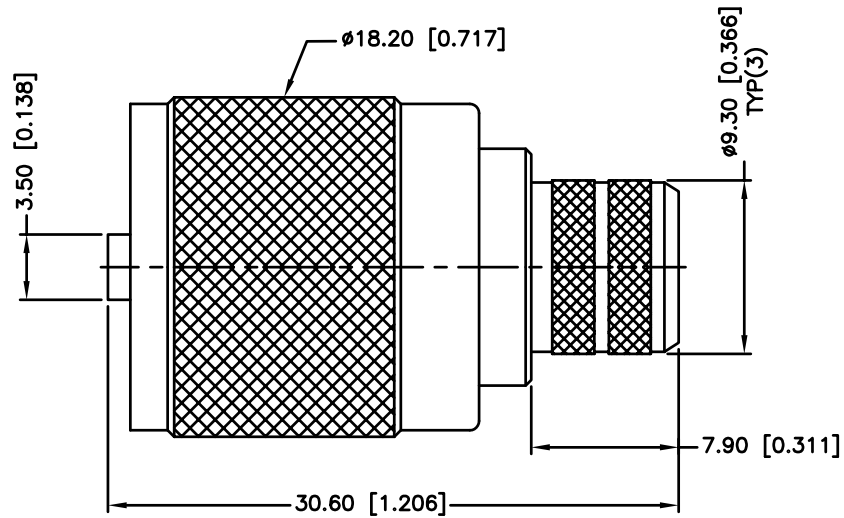


REV.	DATE	ECR NO.	DESCRIPTION
A	07/21/10	--	RELEASE TO MFG.



RECOMMENDED CABLE
STRIPPING DIM'S

NOTE:

1. CRIMPED FERRULE
HEX CRIMP SIZE 0.429"[10.90]
2. CRIMPED CONTACT PIN
HEX CRIMP SIZE 0.118"[3.00]

REV.	DATE	ECR NO.	DESCRIPTION
A	07/21/10	--	RELEASE TO MFG.
8			
7			
6			
5	FERRULE	COPPER	NICKEL 1
4	CONTACT PIN	BRASS	SILVER 1
3	INSULATOR	PTFE	NATURAL 1
2	COUPLING NUT	BRASS	SILVER 1
1	BODY	BRASS	SILVER 1
	DESCRIPTION	MATERIAL	FINISH QTY

UNLESS OTHERWISE SPECIFIED DIMENSIONS ARE IN MILLIMETERS. DIMENSIONS IN () ARE IN INCHES AND FOR CUSTOMER REFERENCE ONLY.		APPROVALS	DATE	<h1>Amphenol Connex</h1> <p>PART DESCRIPTION UHF CRIMP PLUG (FOR BELDEN 8214, 9913, 9914, LMR400 CABLE)</p> <p>PART NO. 182130-10</p>
UNLESS OTHERWISE SPECIFIED TOLERANCES FOR MILLIMETERS ARE: 0.5 - 8mm ± 0.20mm 8 - 30mm ± 0.40mm 30 - 120mm ± 0.50mm		DRAWN	CLEMENT 07/21/10	
UNLESS OTHERWISE SPECIFIED TOLERANCES FOR INCHES ARE: .020 - .315 = ± 0.007" .315 - 1.180 = ± 0.015" 1.180 - 4.724 = ± 0.020"		CHECKED		
DO NOT SCALE DRAWING		ISSUED		
		SHEET	1 OF 1	
		CAD FILE	C:/182/182130-10.DWG	DWG. NO. 182130-10.DWG
		REV.	A	SIZE A
		SCALE	NA	