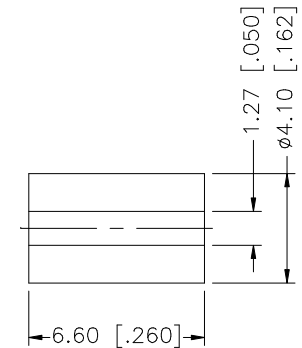
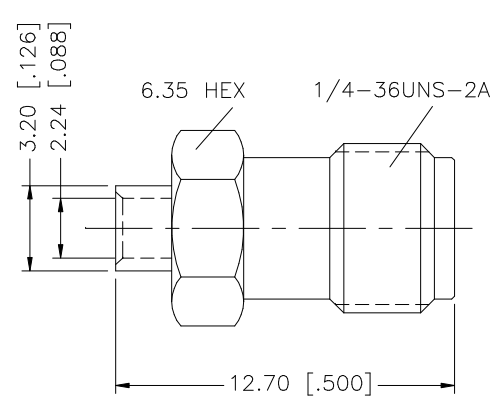
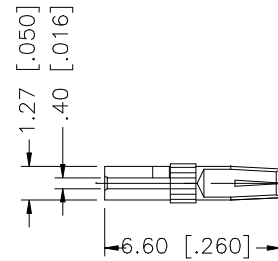
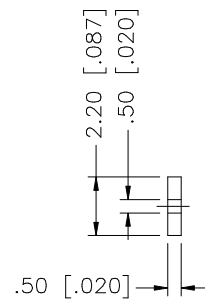
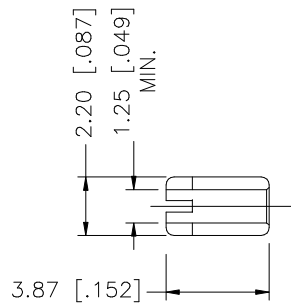
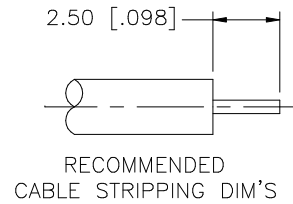


REV.	DATE	DESCRIPTION
A	01/25/04	UPDATE DRAWING FORMAT
B	08/07/05	MODIFY CONTACT PIN



NOTE:

- CONTACT PIN TO SOLDER

DESCRIPTION	MATERIAL	FINISH	QTY	DO NOT SCALE DRAWING	APPROVALS	DATE	Amphenol Connex		
8							<b>SMA DIRECT SOLDER JACK (FOR .047" SIMI-RIGID CABLE)</b>		
7									
6									
5	SOLDER BARREL	BRASS	GOLD	1					
4	INSULATOR	TEFLON	NATURAL	1			PART NO.	132257	
3	CONTACT PIN	BER. COPPER	GOLD	1			DWG. NO.	132257.DWG	
2	INSULATOR	TEFLON	NATURAL	1			REV.	B	
1	BODY	BRASS	GOLD	1			SIZE	A	
							SCALE	NA	

UNLESS OTHERWISE SPECIFIED DIMENSIONS ARE IN MILLIMETERS. DIMENSIONS IN [ ] ARE IN INCHES AND FOR CUSTOMER REFERENCE ONLY.

UNLESS OTHERWISE SPECIFIED TOLERANCES FOR MILLIMETERS ARE:  
0.5 - 8mm ± 0.20mm  
8 - 30mm ± 0.40mm  
30 - 120mm ± 0.50mm

UNLESS OTHERWISE SPECIFIED TOLERANCES FOR INCHES ARE:  
.020 - .315 = ± 0.007"  
.315 - 1.180 = ± 0.015"  
1.180 - 4.724 = ± 0.020"

DRAWN	G.R.S.	08/07/05
CHECKED		
ISSUED		
SHEET	1 OF 1	
CAD FILE	C:/132/132257.DWG	