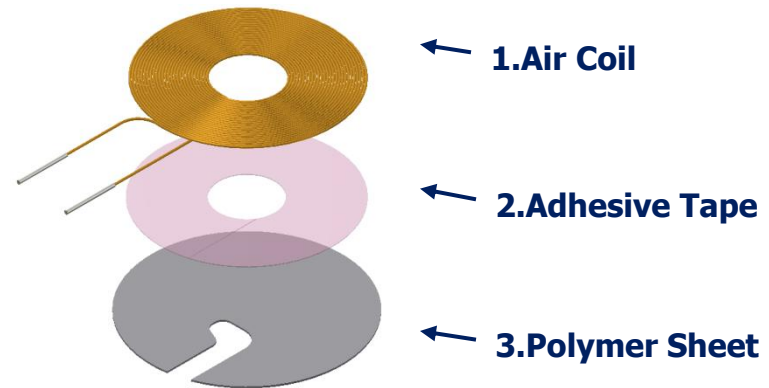
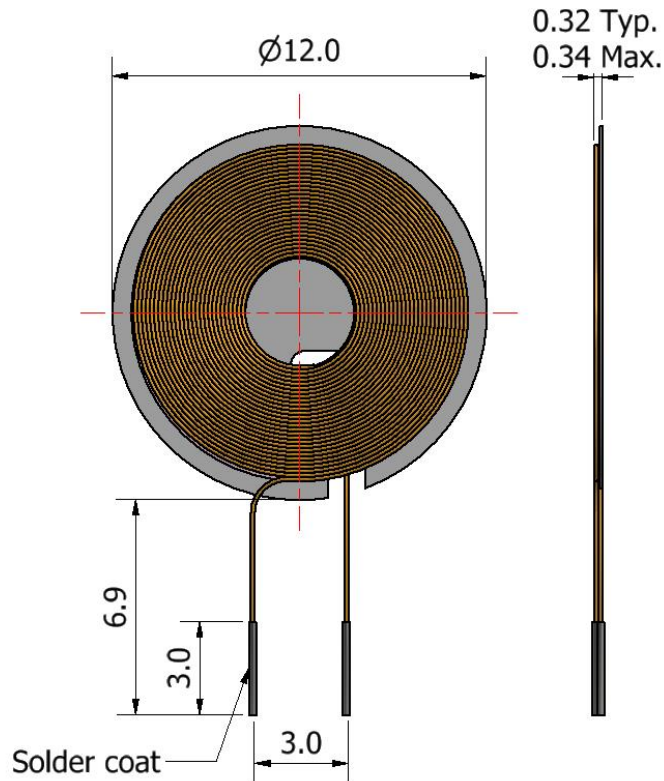


= Dimension of coil unit =



= Electrical Characteristics =

- L_s [uH] : $8.32 \text{ uH} \pm 5\% @ 100\text{kHz}$
- R_s [Ohm] : $0.98 \text{ } \Omega \pm 10\% @ 100\text{kHz}$
- R_{dc} [Ohm] : $0.95 \text{ } \Omega \text{ typ}$