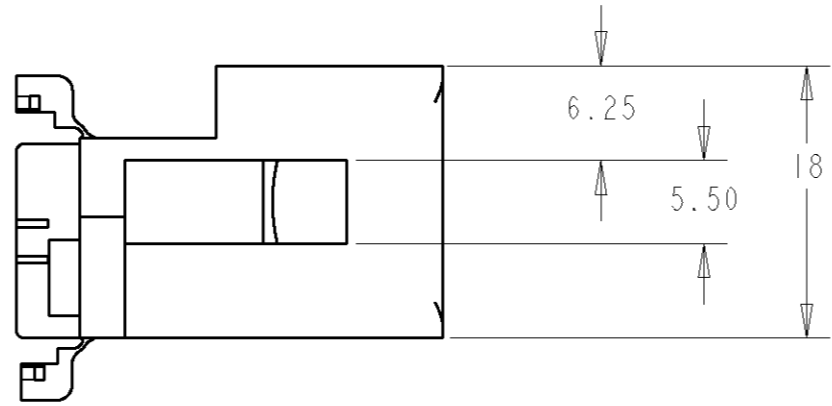
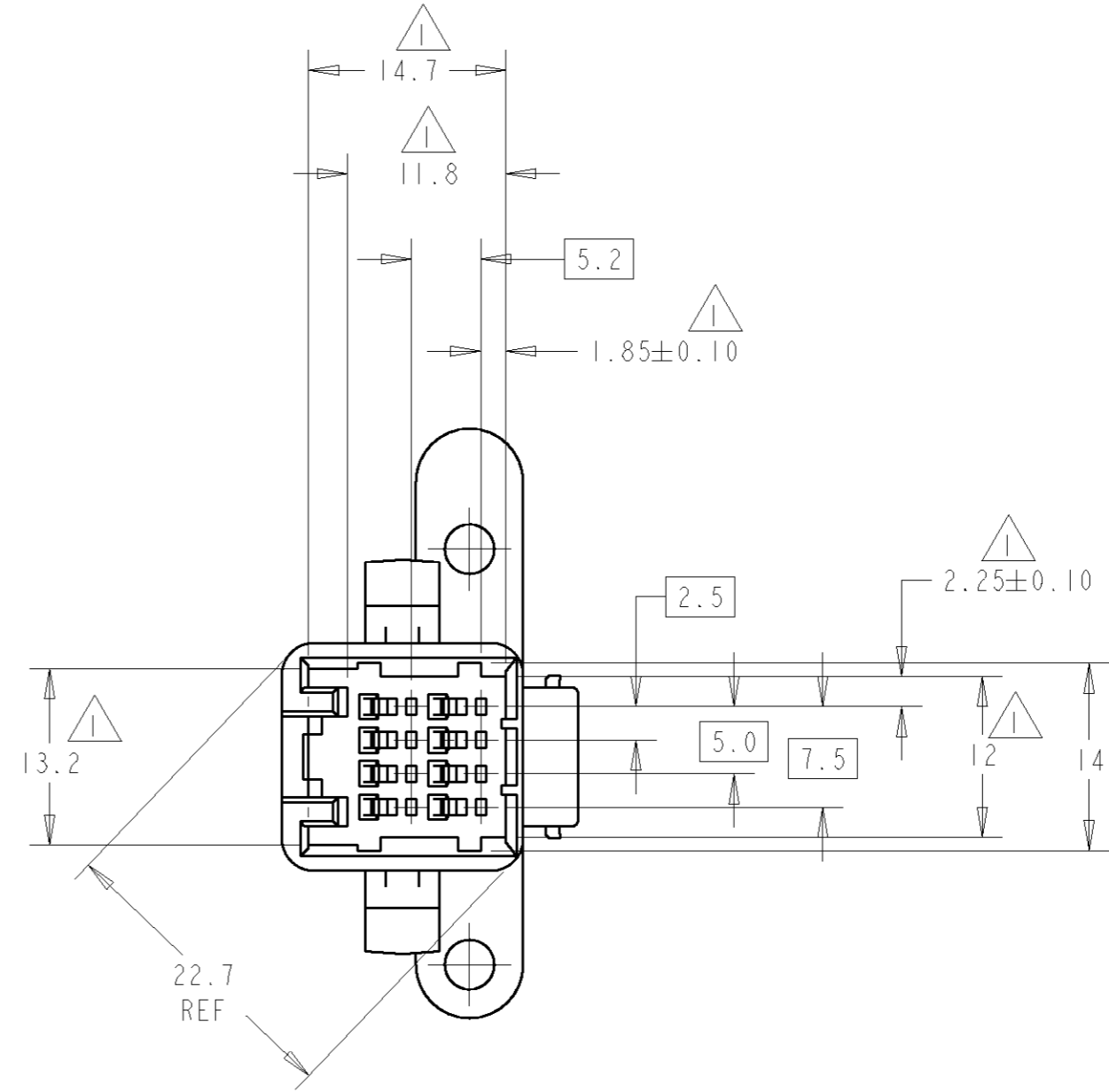
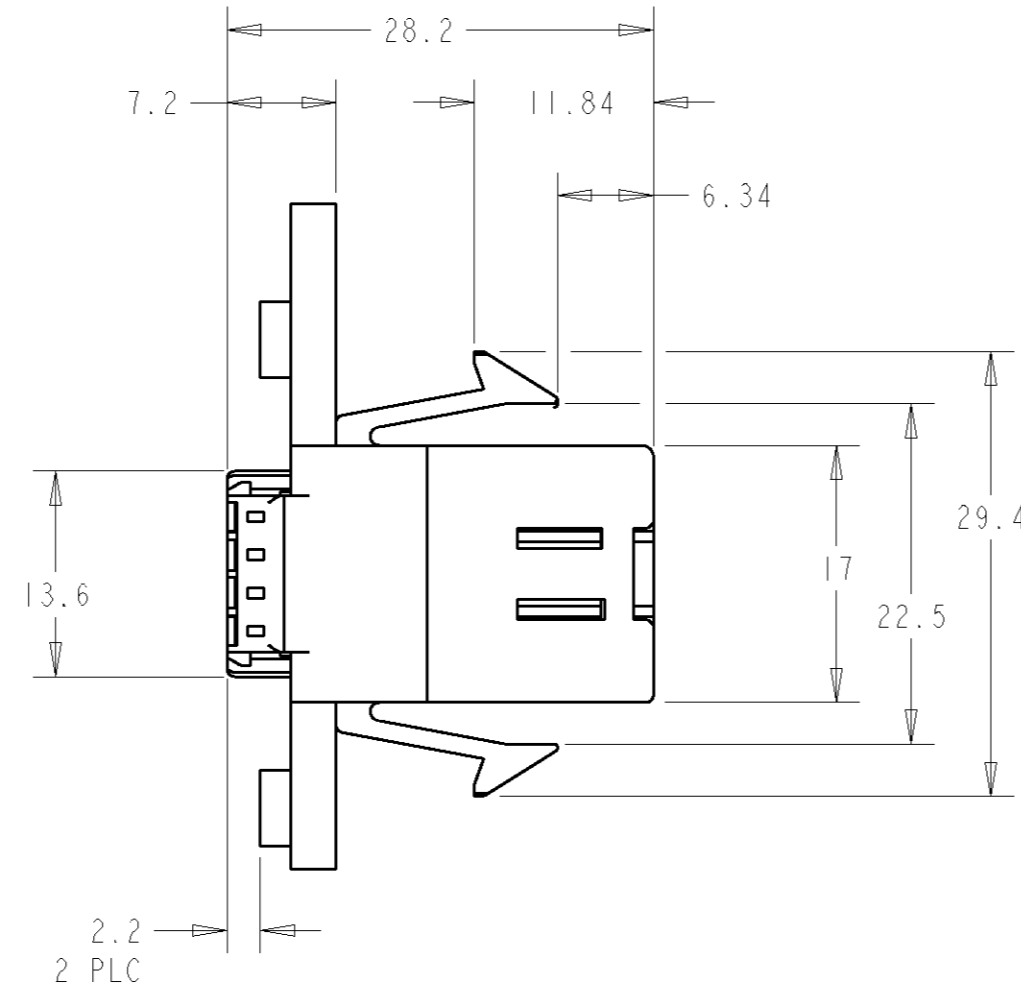
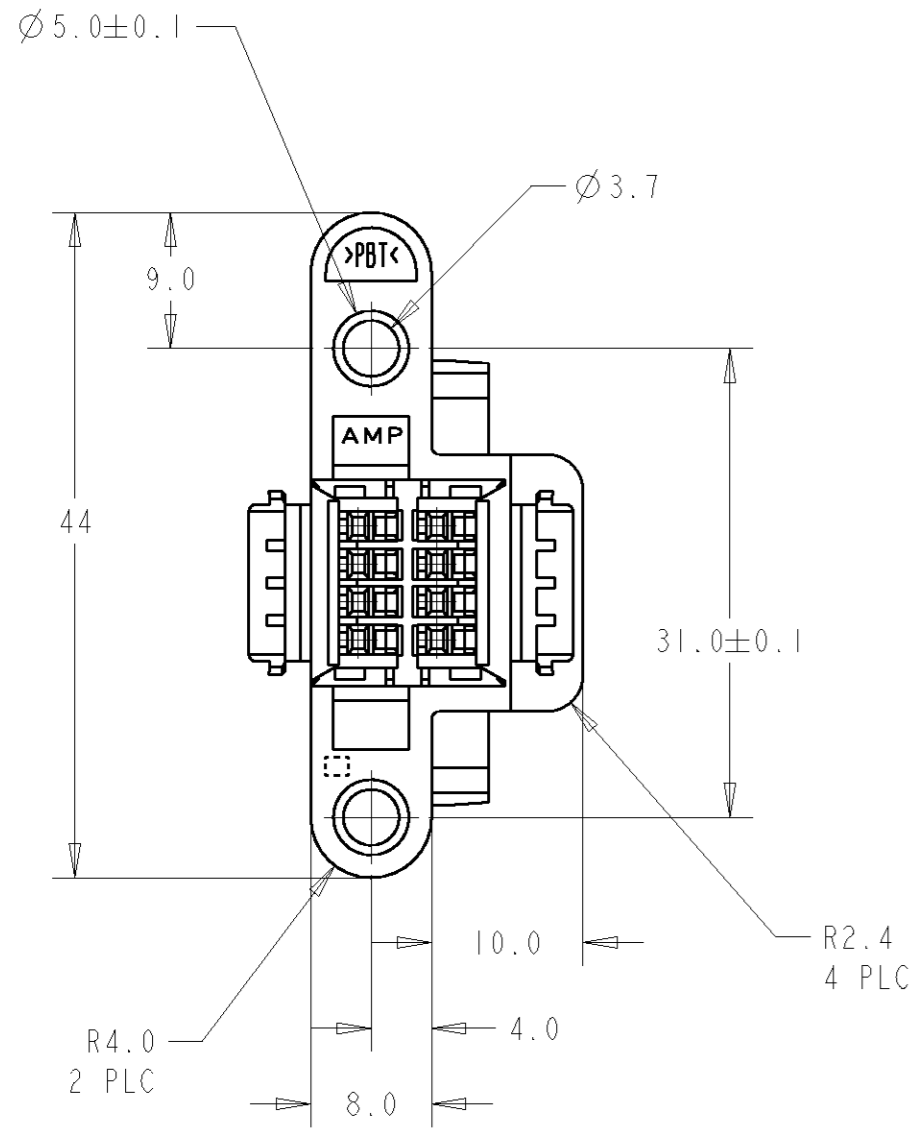
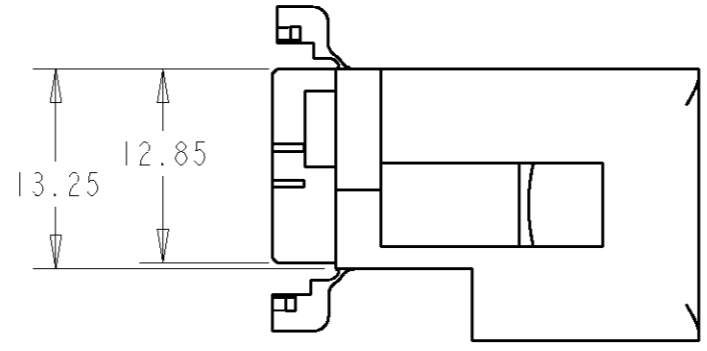
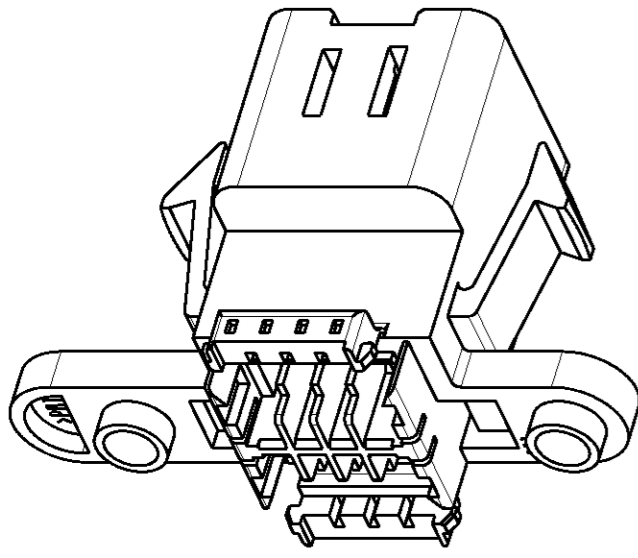


THIS DRAWING IS UNPUBLISHED. RELEASED FOR PUBLICATION .19  
 © COPYRIGHT 19 BY AMP INCORPORATED. ALL RIGHTS RESERVED.

LOC	DIST	REVISIONS			
F	LTR	DESCRIPTION	DATE	DWN	APVD
	E	REV PER EC 0K80-0231-04	10AUG2004	RGV	SSA
	F	REV PER ECR-05-005064	09MAR2006	AH	SA

NOTE  
 1. TO BE MEASURED BETWEEN [-Z-] AND 2mm FROM [-Z-].  
 2. THE MATING PLUG HOUSING PART NUMBER IS 174044  
 3. APPLICABLE CONTACT PART NUMBER IS 173682



NATURAL	638285-1
COLOR	PART NO

THIS DRAWING IS A CONTROLLED DOCUMENT FOR AMP INCORPORATED. IT IS SUBJECT TO CHANGE AND THE CONTROLLING ENGINEERING ORGANIZATION SHOULD BE CONTACTED FOR THE LATEST REVISION.		DWN R. CORE 21JUN99	<b>AMP</b> Tyco Electronics Harrisburg, PA 17105-3608 NAME CAP HOUSING, .040 8 POS, MULTI-LOCK CONNECTOR
DIMENSIONS: mm		CHK M. MENDYK 21JUN99	
TOLERANCES UNLESS OTHERWISE SPECIFIED: 0 PLC ±0.3 1 PLC ±0.3 2 PLC ±0.15 3 PLC ± 4 PLC ± ANGLES ±1 FINISH -		APVD M. MENDYK 21JUN99	
MATERIAL -		PRODUCT SPEC 108-5352 APPLICATION SPEC 114-5108 WEIGHT -	
CUSTOMER DRAWING			SIZE A2 CAGE CODE 00779 DRAWING NO. 638285 SCALE 2:1 SHEET 1 OF 1 REV F