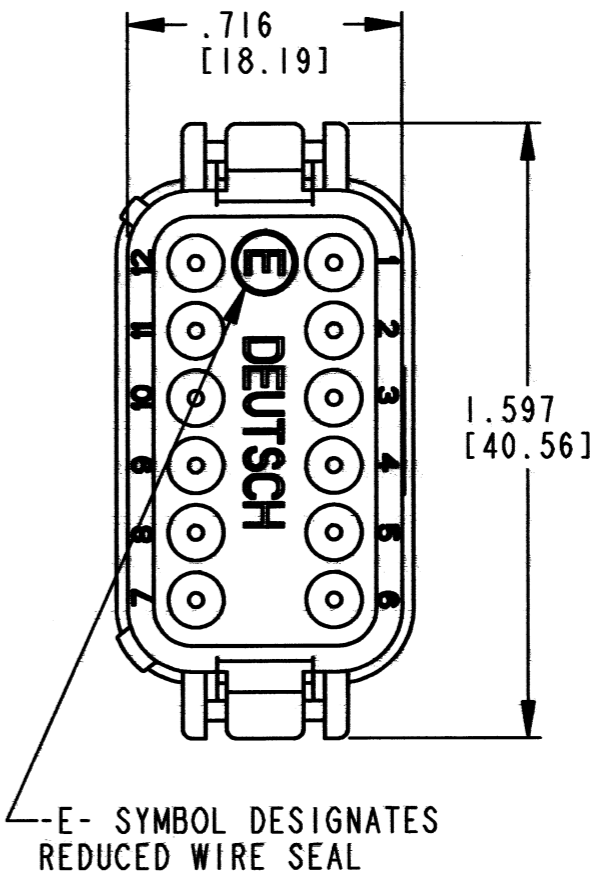
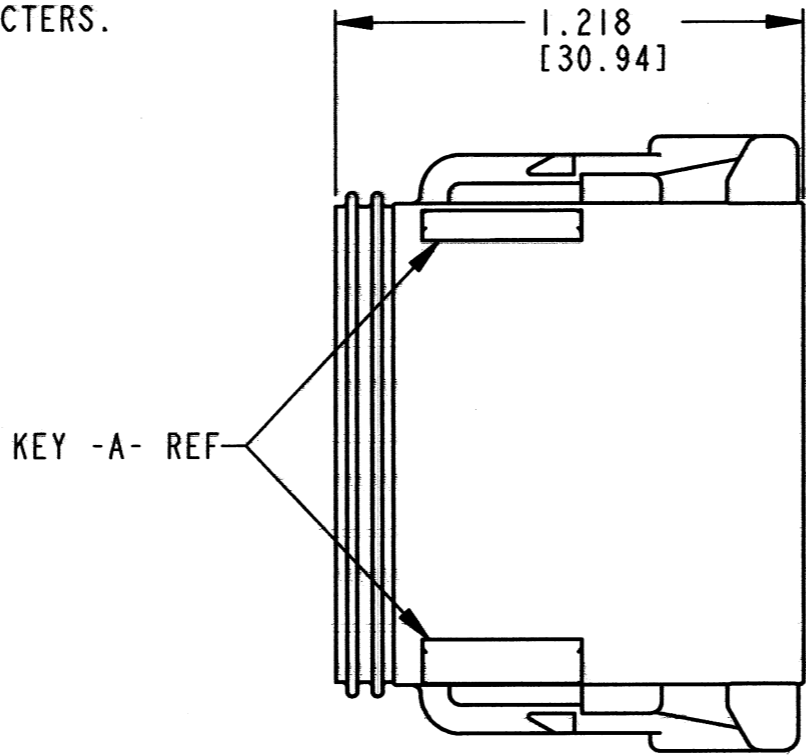
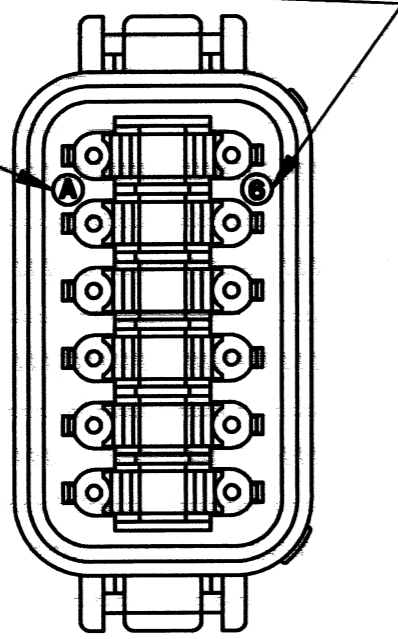


REV
C DT06-12S*-C015

REVISIONS			
SYM	DESCRIPTION	DATE	APPROVED
NC	NEW RELEASE PER E.O. P18121	5/2/03	R.D.R.
A	REVISED PER E.O. P19440	1/3/07	R.D.R.
B	REVISED PER E.O. P19895	6/16/08	R.D.R.
C	REVISED PER E.O. P21433	9-12-12	RDR

DATE CODE: YEAR TO BE REPRESENTED BY LAST NUMERICAL DIGIT. EX: 6 = 2006. MONTH USES SEQUENTIAL ALPHA CHARACTERS. EX: A = JANUARY.



-E- SYMBOL DESIGNATES REDUCED WIRE SEAL

5. MATERIAL: SHELL: PLASTIC; SEAL: RUBBER

4. FOR CONTACTS AND WIRE PERFORMANCE AND APPLICATION CHARACTERISTICS, SEE ENVELOPE DRAWING 0425-015-0000 AND 0425-017-0000.

3. THIS PLUG MATES WITH DT04-12P*-**** (* = KEY ARR, **** = ALL MODIFICATIONS) CONSULT FACTORY FOR MODIFICATIONS.

2. DIMENSIONS ARE ±.025[.64] UNLESS OTHERWISE SPECIFIED.

1. DIMENSIONS ARE IN INCHES [MILLIMETERS].

NOTES:

CONTACT SIZE	MIN. INSUL. O.D.	MAX. INSUL. O.D.	WIRE RANGE [mm ²] REF ONLY
16	.053 [1.35]	.120 [3.05]	14-20 AWG [2.0-0.5]

SIGNATURE & DATE	
DR	X. SANCHEZ 17APR03
CHK	A. M. [Signature] 9/12/12
PE	R. [Signature] 8/13/12
APPD	[Signature] 9/18/12
SCALE	NONE

12 WAY PLUG WITH REDUCED WIRE SEAL -C015 MOD. DT SERIES

ENVELOPE

EP

MATL. CODE

3850 INDUSTRIAL AVE. HEMET, CA 92545

DEUTSCH INDUSTRIAL

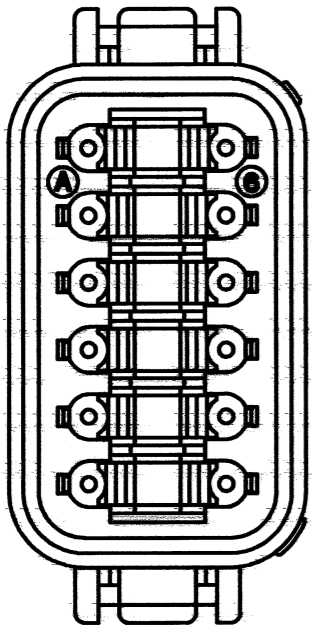
B DT06-12S*-C015

DWG SIZE 11139 SHEET 1 OF 2

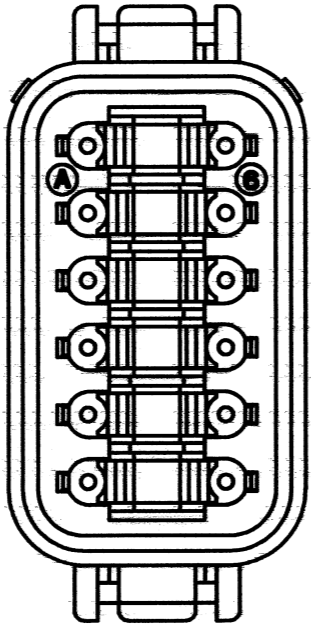
REV
C DT06-12S*-C015

REVISIONS			
SYM	DESCRIPTION	DATE	APPROVED
C	SEE SHEET ONE	9-12-12	RDR

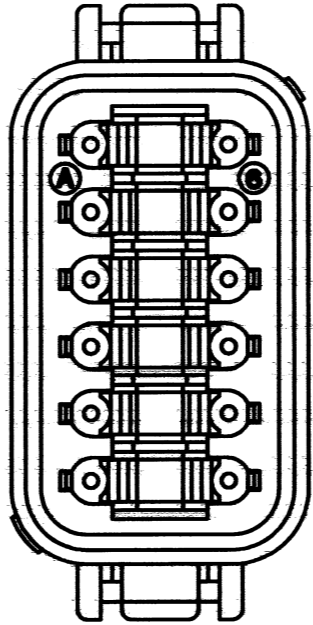
DT06-12SA-C015
KEY ARR. -A-
COLOR: GRAY



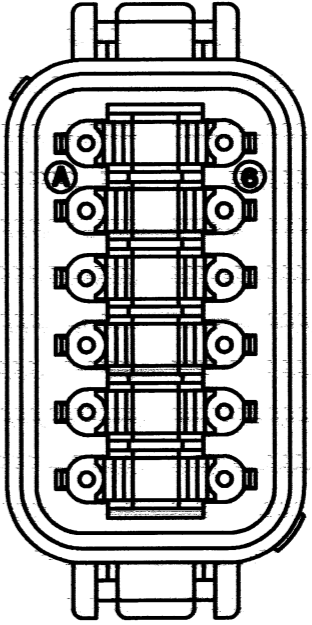
DT06-12SB-C015
KEY ARR. -B-
COLOR: BLACK



DT06-12SC-C015
KEY ARR. -C-
COLOR: GREEN



DT06-12SD-C015
KEY ARR. -D-
COLOR: BROWN




NOTES:

SIGNATURE & DATE	
DR	X. SANCHEZ 17APR03
CHK	A. Williams 9/12/12
PE	R. M... 8/17/12
APPD	D. Meyer 9/18/12
SCALE	NONE WT

12 WAY PLUG WITH
REDUCED WIRE SEAL
-C015 MOD.
DT SERIES

ENVELOPE

EP	MATL. CODE
 3850 INDUSTRIAL AVE. HEMET, CA 92545	
B	DT06-12S*-C015
DWG SIZE	CODE 11139 SHEET 2 OF 2

