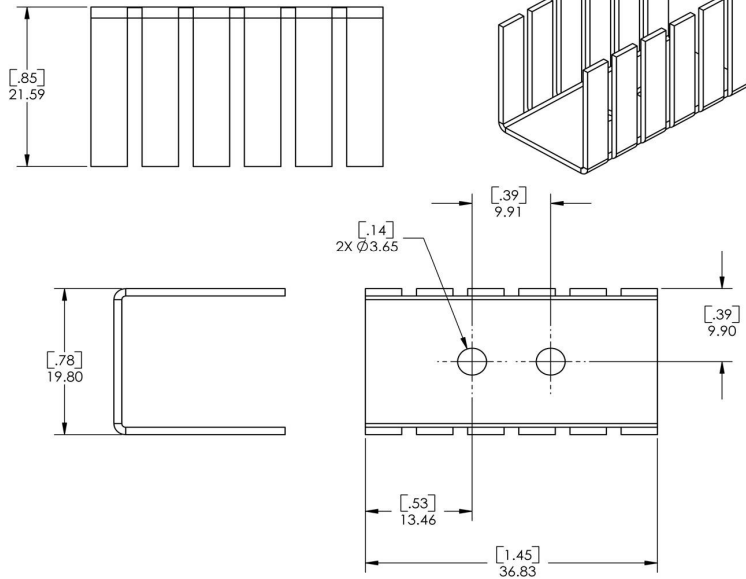
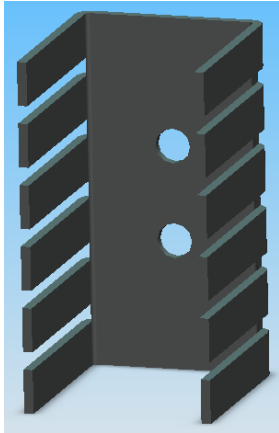


Board Level Heat Sinks



ThermaFlo

P/N: 821702B00000



PRODUCT SPECIFICATIONS

- Devices: TO-220
- Size: 36.8 x 19.8 x 21.6mm
- Material: Aluminum, 1.0mm Thick
- Type: Stamped
- Finish: Black Anodized
- PCB Mounting: Solderable Device Leads
- Package: Bulk
- Accessories: Hardware & Thermal Interface Material

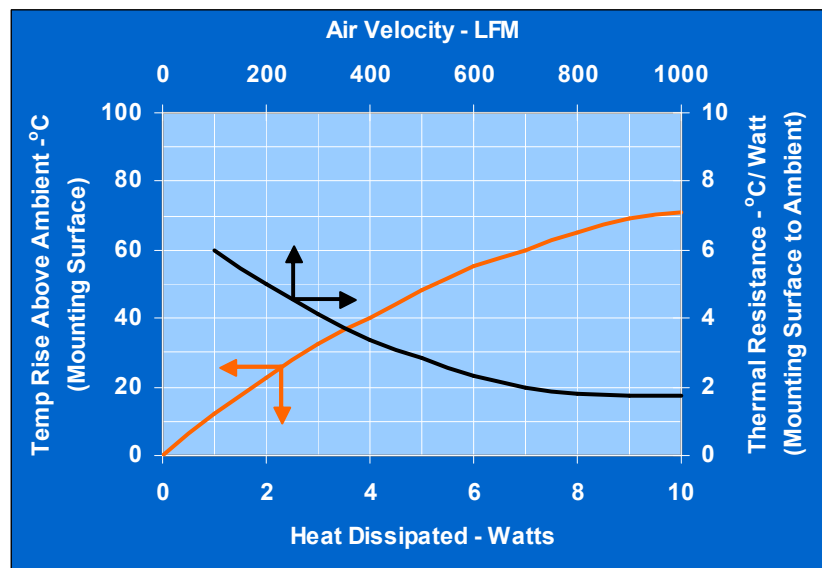
FEATURES & BENEFITS

- Multiple Holes for Device Attachment
- Dual Device Cooling Heat Sink
- RoHS Compliant



Customized Heat Sinks

- Specialized Plating
- Specialized Body Configurations
- Contact Applications Engineering



TO-220

COMAIR ROTRON, INC
 8929 Terman Court, San Diego, CA 92121
 Ph (858) 348-6200 Fax (858) 566-4577
 E-mail: sales@comairrotron.com,
 Web: www.comairrotron.com