

4

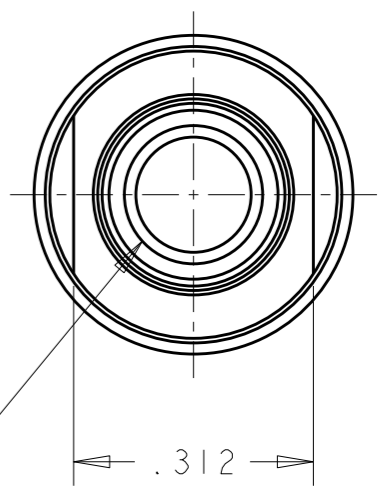
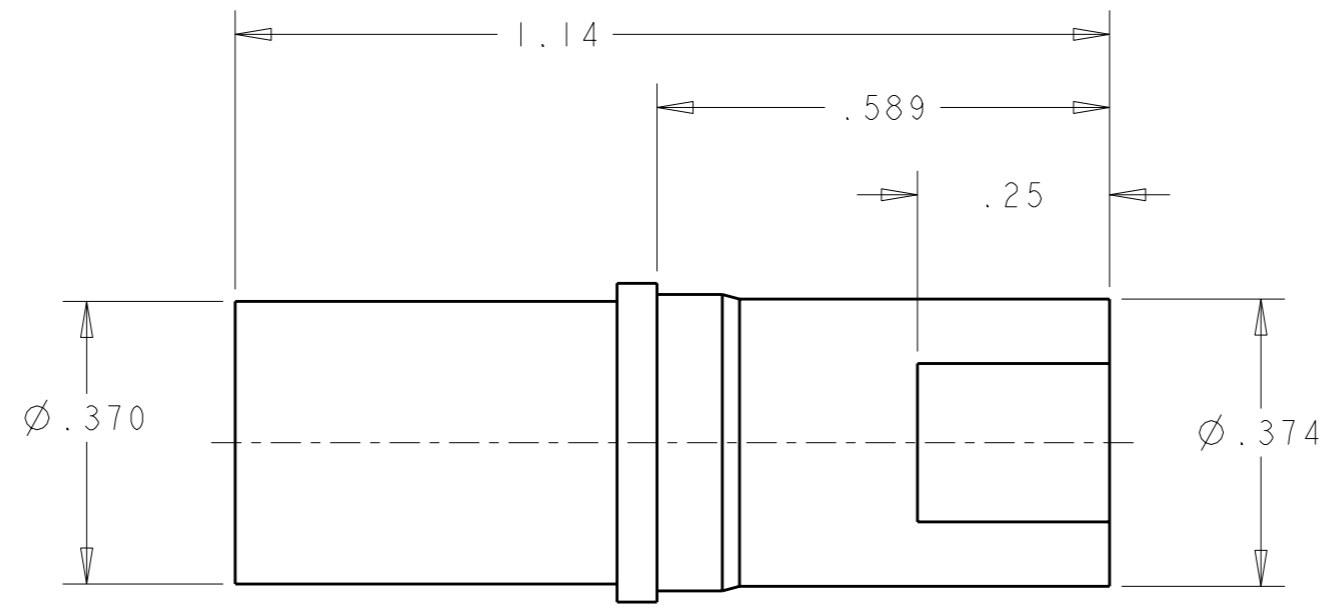
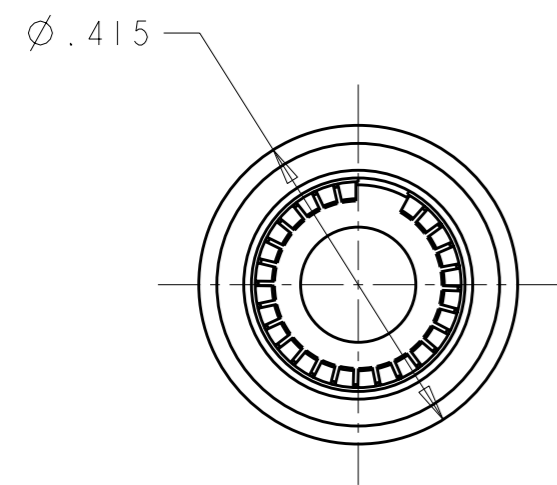
3

2

1

THIS DRAWING IS UNPUBLISHED. RELEASED FOR PUBLICATION 20
 © COPYRIGHT 20 BY TYCO ELECTRONICS CORPORATION. ALL RIGHTS RESERVED.

LOC	DIST	REVISIONS			
P	LTR	DESCRIPTION	DATE	DWN	APVD
GP	00	B	REV PER ECO-09-005644	06MAR2009	RG DO



1. PART NUMBER AND/OR DESIGN CHANGES AFFECTING ITEM INTERCHANGEABILITY REQUIRE PRIOR TYCO ELECTRONICS APPROVAL AND AUTHORIZATION BY REVISION TO THIS PART.

2 MATERIAL:
 SOCKET BODY - COPPER ALLOY
 CROWN BAND - BERYLLIUM COPPER

3 FINISH:
 SOCKET BODY - SILVER PLATE .000200 MIN THK. OVER
 NICKEL PLATE .000040 MIN THK.
 CROWN BAND - GOLD PLATE .000030 MIN THK. OVER
 NICKEL PLATE .000040 MIN THK.

4. ITEMS PROVIDED TO THIS SPECIFICATION TO BE PERMANENTLY IDENTIFIED ON THE CONTAINER PER THE FOLLOWING LABEL:
 YEAR WEEK

TYCO ELECTRONICS P/N
 XXXXXXXX-X

DATE CODE (e.g. 0106)
 XXXX

AS SHOWN	6648335-1
DESCRIPTION	PART NO.

<small>THIS DRAWING IS A CONTROLLED DOCUMENT FOR TYCO ELECTRONICS CORPORATION IT IS SUBJECT TO CHANGE AND THE CONTROLLING ENGINEERING ORGANIZATION SHOULD BE CONTACTED FOR THE LATEST REVISION.</small>		DWN 06MAR2009 R. GRZYBOWSKI		Tyco Electronics Harrisburg, PA 17105-3608	
DIMENSIONS: INCHES		TOLERANCES UNLESS OTHERWISE SPECIFIED: 0 PLC ±. 1 PLC ±. 2 PLC ±.02 3 PLC ±.010 4 PLC ±. ANGLES ±.5		CHK 06MAR2009 D. ORRIS	
		APVD 06MAR2009 M. PERCHERKE		NAME SOCKET CONNECTOR ASSEMBLY SIZE No.4, TAPPED M5, SINGLE CROWN DRAWER	
MATERIAL <u> </u> 2		FINISH <u> </u> 3		PRODUCT SPEC 108-2285	
DATE CODE (e.g. 0106)		APPLICATION SPEC 114-13206		SIZE CAGE CODE DRAWING NO RESTRICTED TO A300779 C-6648335 -	
WEIGHT -		CUSTOMER DRAWING		SCALE 4:1 SHEET OF REV B	