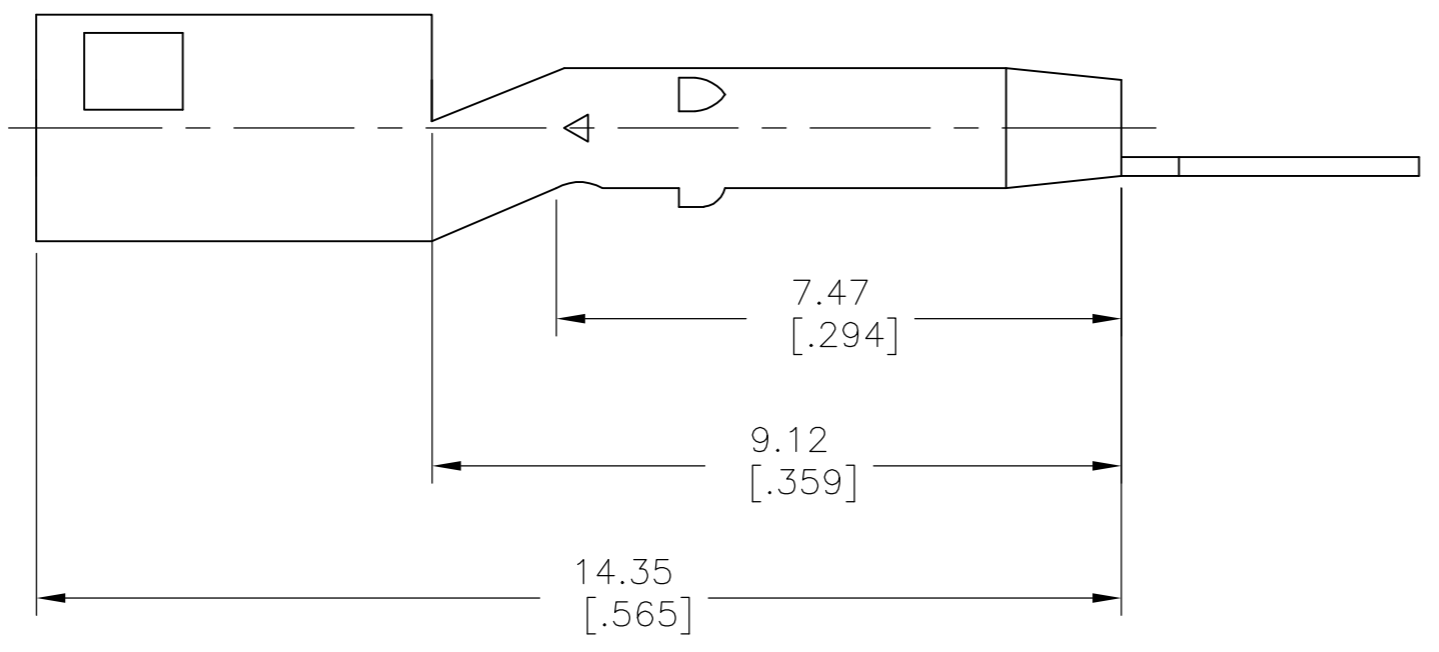
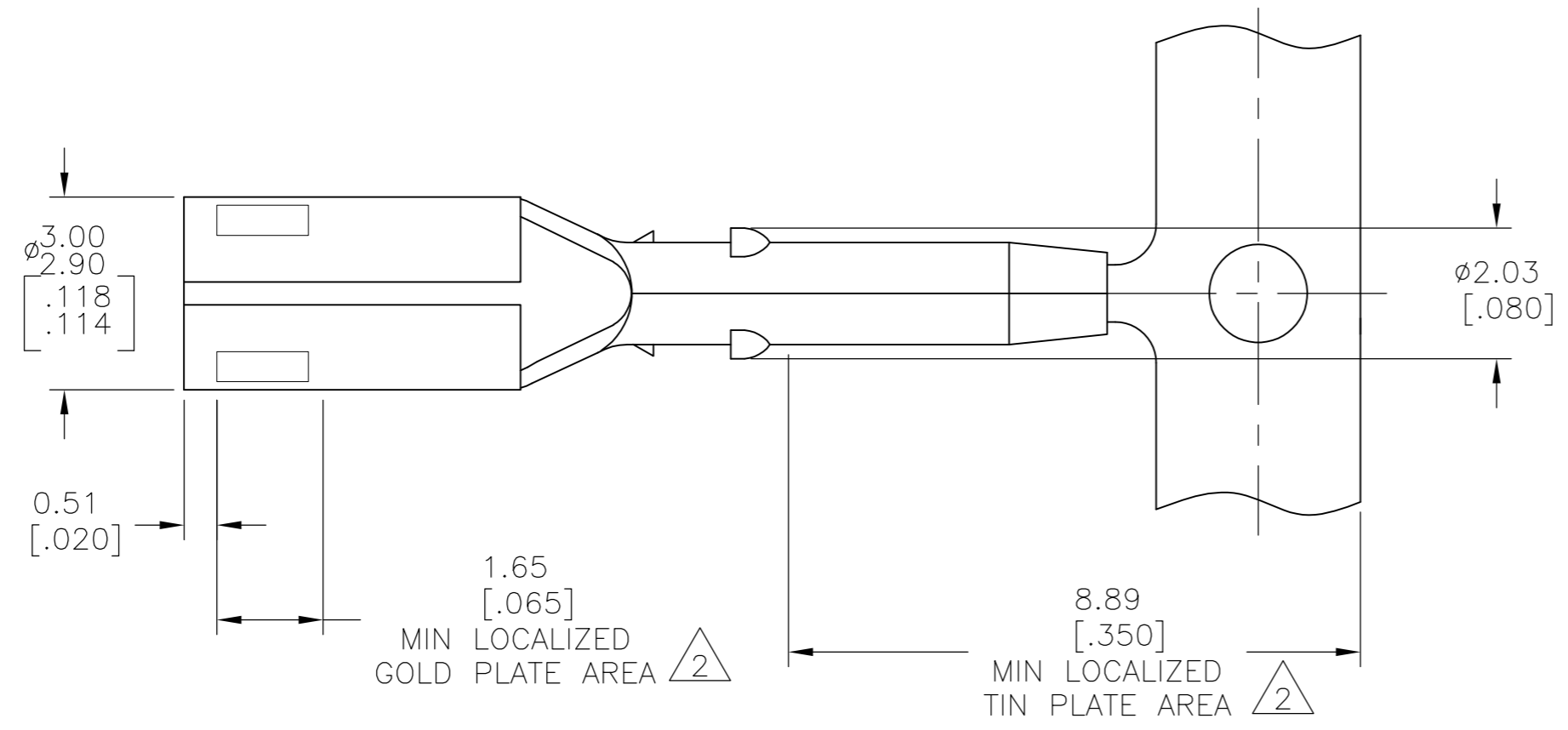


THIS DRAWING IS UNPUBLISHED. RELEASED FOR PUBLICATION  
 © COPYRIGHT BY TYCO ELECTRONICS CORPORATION. ALL INTERNATIONAL RIGHTS RESERVED.

LOC		DIST		REVISIONS			
P	LTR	DESCRIPTION	DATE	DWN	APVD		
		D		REVISED PER ECO-09-009144	16APR09	HMR	MS

- 1 DIMENSIONS IN BRACKETS ARE IN INCHES.
- 2 PLATE OVERALL WITH NICKEL, THEN PLATE WITH GOLD IN THE LOCALIZED GOLD PLATE AREA AND TIP PLATE WITH MATTE TIN-LEAD IN THE LOCALIZED TIN PLATE AREA.
- 3 PACKAGED ON 24 INCH CORRUGATED REEL.



FINISH	MATERIAL	PART NUMBER
PRE-TIN	0.25[.010] PH BRZ	3 794050-4
OBSOLETE	0.25[.010] PH BRZ	2 794050-3

THIS DRAWING IS A CONTROLLED DOCUMENT.		DWN RAGHAVENDRA 16APR09	Tyco Electronics Corporation Harrisburg, PA 17105-3608	
DIMENSIONS: mm [INCHES]		CHK SARVER MICHAEL 16APR09	NAME SOCKET, PRINTED CIRCUIT HEADER, MATE-N-LOK™	
TOLERANCES UNLESS OTHERWISE SPECIFIED:		APVD SARVER MICHAEL 16APR09	SIZE A2	CAGE CODE 00779
0 PLC ± -		PRODUCT SPEC -	DRAWING NO C=794050	RESTRICTED TO -
1 PLC ± -		APPLICATION SPEC -	SCALE 10:1	SHEET 1 of 1
2 PLC ± 0.13[.005]		WEIGHT -	REV D	
3 PLC ± -		CUSTOMER DRAWING		
4 PLC ± -				
ANGLES ± -				
FINISH SEE TABLE				

794050