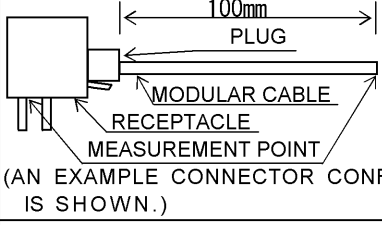
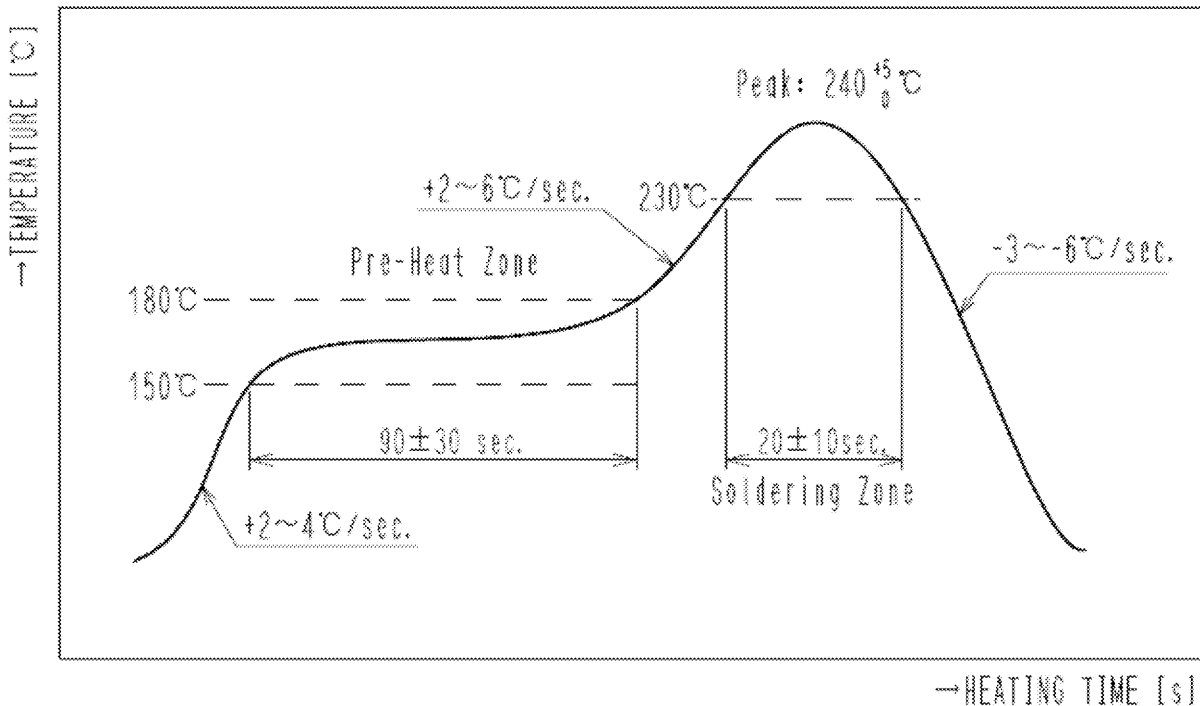


APPLICABLE STANDARD					
RATING	OPERATING TEMPERATURE RANGE	-25 °C TO +80 °C	STORAGE TEMPERATURE RANGE	-25 °C TO +60 °C	
	VOLTAGE	125 V AC	OPERATING HUMIDITY RANGE	95 % MAX.	
	CURRENT	500mA	APPLICABLE CABLE	—	
SPECIFICATIONS					
ITEM	TEST METHOD		REQUIREMENTS	QT	AT
CONSTRUCTION					
GENERAL EXAMINATION	VISUALLY AND BY MEASURING INSTRUMENT.		ACCORDING TO DRAWING.	X	X
MARKING	CONFIRMED VISUALLY.			X	X
ELECTRIC CHARACTERISTICS					
CONTACT RESISTANCE	100 mA MAX (DC OR 1000 Hz AC). 		60 mΩ MAX.	X	X
INSULATION RESISTANCE	100 V DC.		100 MΩ MIN.	X	X
VOLTAGE PROOF (CONTACT TO CONTACT)	500 V AC FOR 1 min.		NO FLASHOVER OR BREAKDOWN.	X	X
MECHANICAL CHARACTERISTICS					
MECHANICAL OPERATION	5000 TIMES INSERTIONS AND EXTRACTIONS.		1) CONTACT RESISTANCE: 90 mΩ MAX. 2) NO DAMAGE, CRACK AND LOOSENESS OF PARTS.	X	—
VIBRATION	FREQUENCY 10 TO 55 Hz SINGLE AMPLITUDE 0.75 mm, AT 2 HOURS FOR 3 DIRECTIONS.		1) NO ELECTRICAL DISCONTINUITY OF 5 μs. 2) CONTACT RESISTANCE: 90 mΩ MAX. 3) NO DAMAGE, CRACK AND LOOSENESS OF PARTS.	X	—
SHOCK	490 m/s ² DIRECTIONS OF PULSE 11 ms AT 3 TIMES FOR 3 DIRECTIONS.			X	—
ENVIRONMENTAL CHARACTERISTICS					
DAMP HEAT, CYCLIC	EXPOSED AT +40 °C, 90 TO 95 % , 500 h		1) CONTACT RESISTANCE: 90 mΩ MAX. 2) INSULATION RESISTANCE: 1 MΩ MIN. (AT HIGH HUMIDITY) 10 MΩ MIN. (AT DRY) 3) NO DAMAGE, CRACK AND LOOSENESS OF PARTS.	X	—
RAPID CHANGE OF TEMPERATURE	TEMPERATURE -55±3 → 5 TO 35 → 85±2 → 5 TO 35 °C TIME 30 +5/0 → 5 MAX. → 30 +5/0 → 5 MAX. min UNDER 5 CYCLES.		1) CONTACT RESISTANCE: 90 mΩ MAX. 2) INSULATION RESISTANCE: 100 MΩ MIN. 3) NO DAMAGE, CRACK AND LOOSENESS OF PART	X	—
CORROSION SALT MIST	EXPOSED IN 5 % SALT WATER SPRAY FOR 48 h.		1) CONTACT RESISTANCE: 90 mΩ MAX. 2) NO HEAVY CORROSION.	X	—
	COUNT	DESCRIPTION OF REVISIONS	DESIGNED	CHECKED	DATE
△					
REMARK			APPROVED	KN. ICHIKAWA	11. 01. 13
			CHECKED	KN. ICHIKAWA	11. 01. 13
			DESIGNED	HN. ANDO	11. 01. 11
Unless otherwise specified, refer to JIS C 5402.			DRAWN	HN. ANDO	11. 01. 11
Note QT:Qualification Test AT:Assurance Test X:Applicable Test			DRAWING NO.		ELC4-127281-00
HRS	SPECIFICATION SHEET		PART NO.	TM25RS-5CNA-88	
	HIROSE ELECTRIC CO., LTD.		CODE NO.	CL222-2967-7-00	△ 1/2

SPECIFICATIONS


ITEM	TEST METHOD	REQUIREMENTS	QT	AT
------	-------------	--------------	----	----

RECOMMENDED TEMPERATURE PROFILE (REFLOW SOLDERING, MOUNTING AREA)

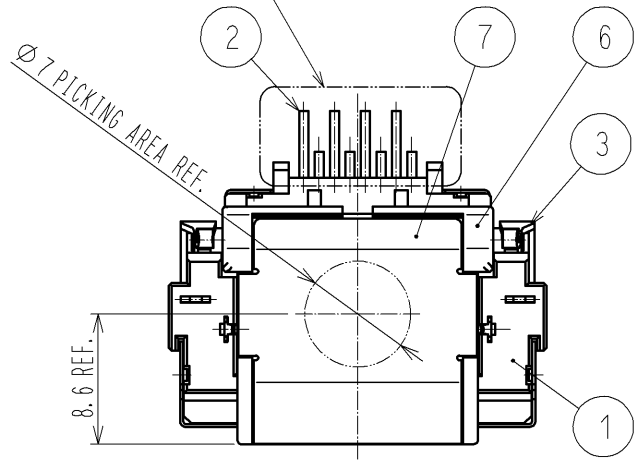
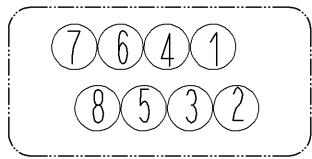


RECOMMENDED MANUAL SOLDERING TEMPERATURE

- TEMPERATURE : 350±10°C
- HEATING TIME : 4sec. MAX.

Note QT:Qualification Test AT:Assurance Test X:Applicable Test		DRAWING NO.	ELC4-127281-00		
HRS	SPECIFICATION SHEET		PART NO.	TM25RS-5CNA-88	
	HIROSE ELECTRIC CO., LTD.		CODE NO	CL222-2967-7-00	 2/2

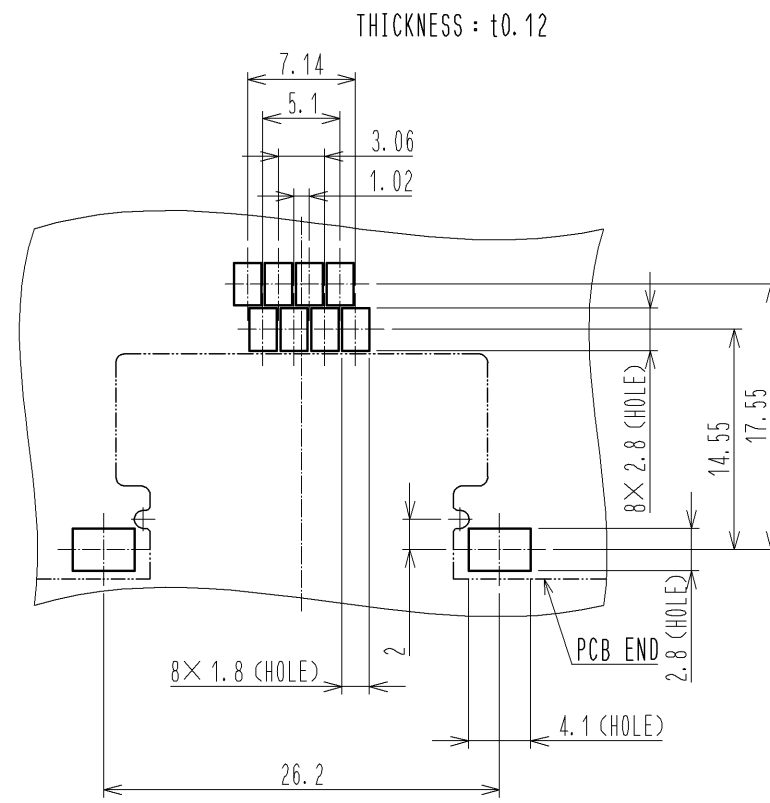
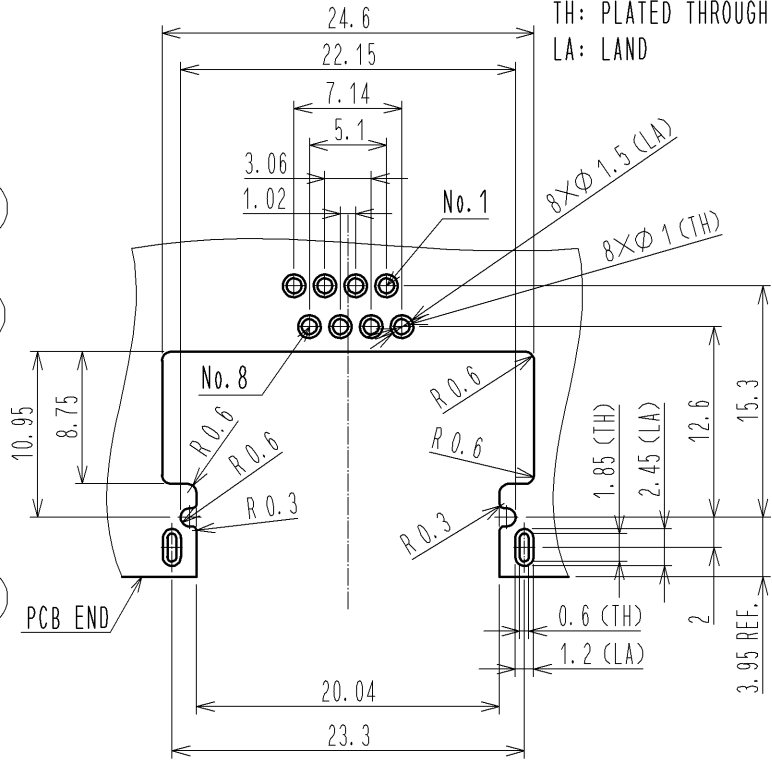
2 MOUNTING AREA PIN ASSIGNMENT



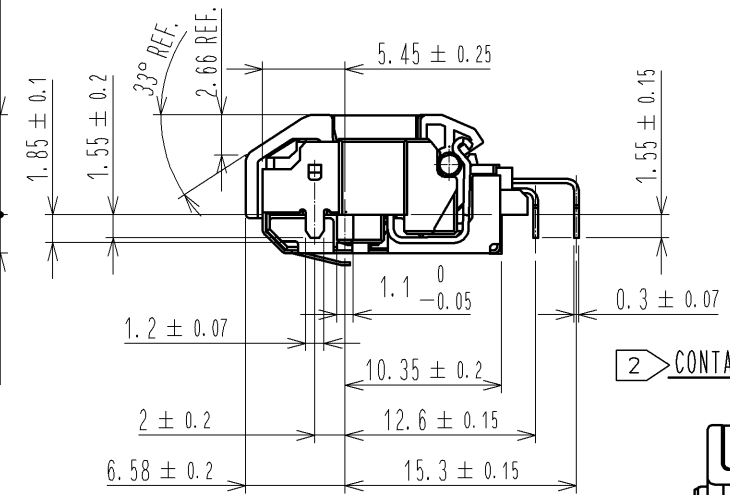
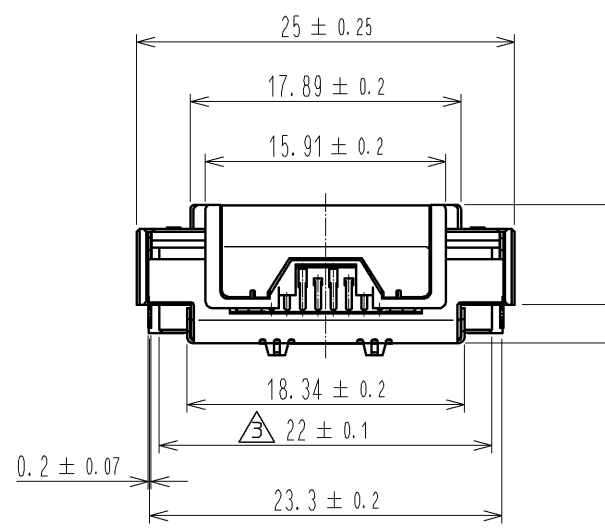
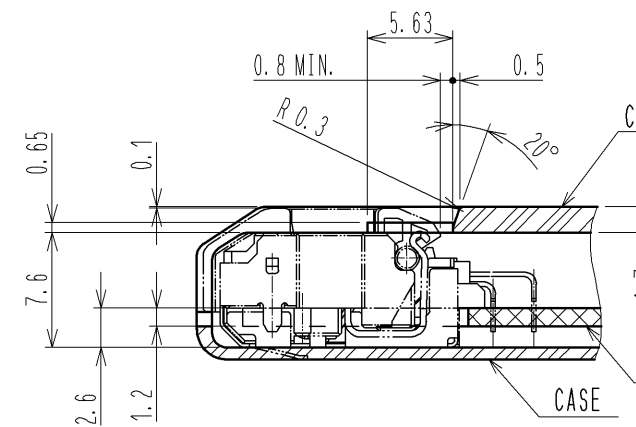
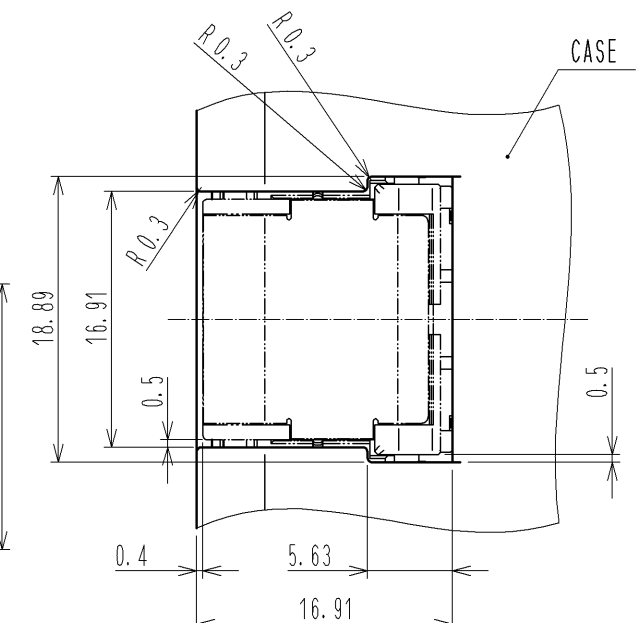
RECOMMENDED PC BORAD PATTERN

PCB THICKNESS: t1.2
TH: PLATED THROUGH HOLE
LA: LAND

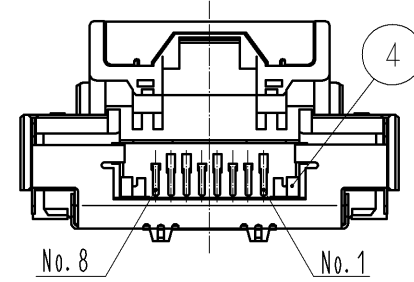
METAL MASK DIMENSIONS FOR REFERENCE
THICKNESS: t0.12



INSTALLATION DIMENSIONS FOR REFERENCE



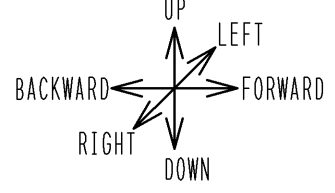
2 CONTACT AREA PIN ASSIGNMENT



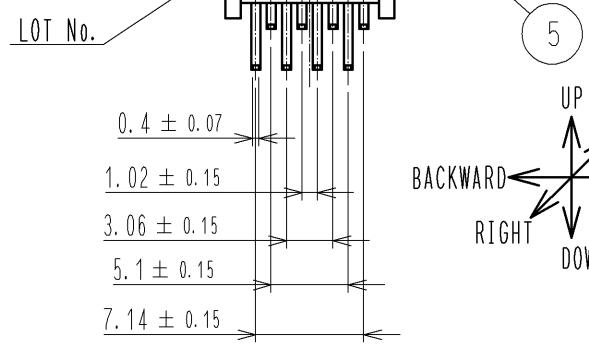
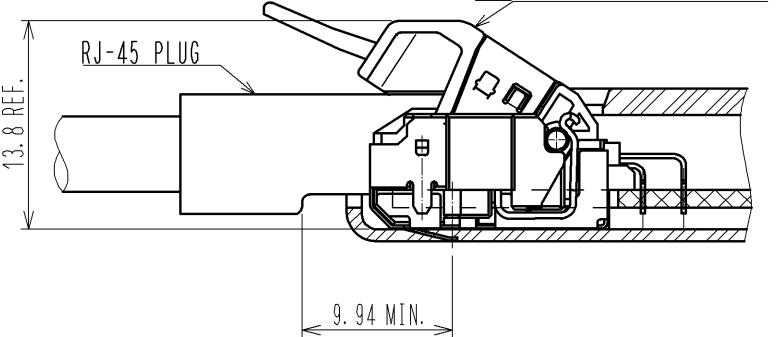
NOTES

- 1 WRENCHING STRENGTH IN EACH DIRECTION IS STATED AS FOLLOWS.
BACKWARD AND FORWARD : 60N MIN.
RIGHT AND LEFT : 30MIN.
UP AND DOWN : 15N MIN. MOVING PART SHALL NOT BE COME OFF.
AFTER IT IS EXAMINATED 20 TIMES : 10N MIN.
- 2 PIN ASSIGNMENT IS AS SHOWN IN FIGURE.
PLEASE NOTE THE PIN ASSIGNMENT IS FOR MOUNTING AREA AND DIFFERENT FROM THAT FOR CONTACT AREA.

1 WRENCHING DIRECTION



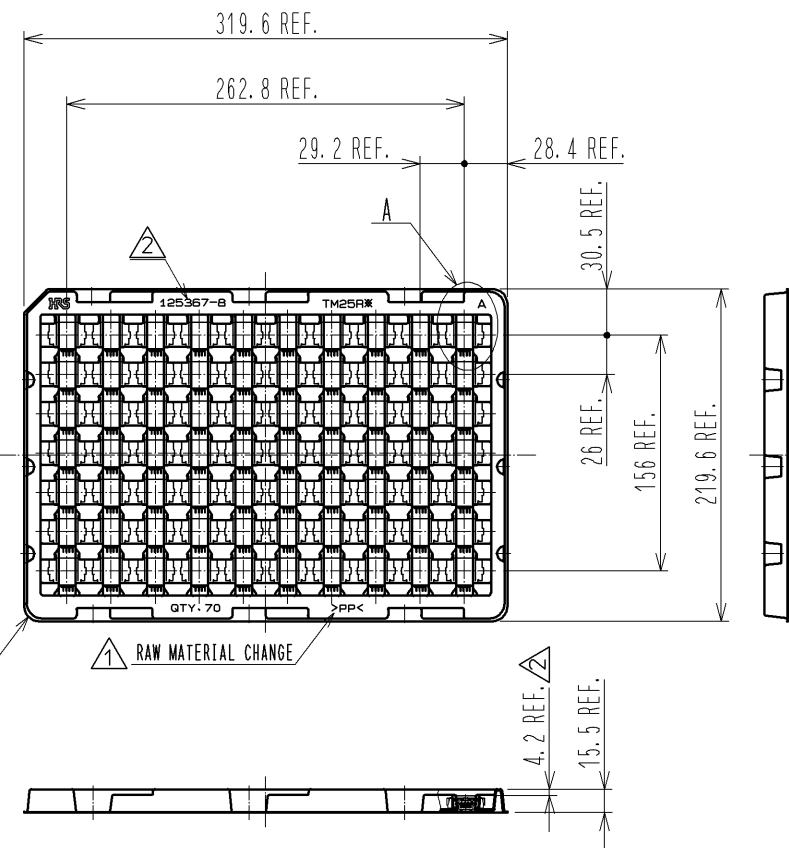
REVISED CONFIGURATION



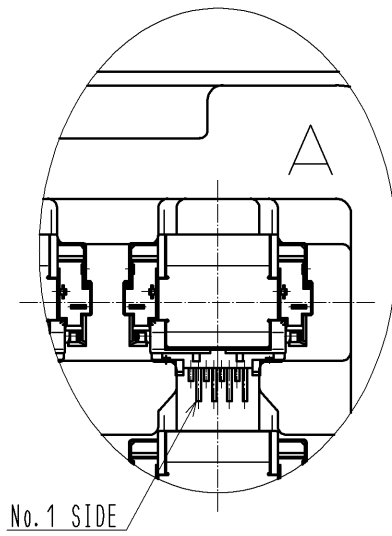
4	STAINLESS STEEL		8	PP	CLEAR, TRAY
3	STAINLESS STEEL		7	STAINLESS STEEL	NICKEL PLATING : 0.1μm MIN.
2	PHOSPHOR BRONZE	CONTACT AREA : GOLD PLATING 0.2μm MIN. MOUNTING AREA : GOLD PLATING 0.03μm MIN. UNDER PLATING : NICKEL PLATING 1μm MIN.	6	POLYAMIDE	BLACK, UL94V-0
1	POLYAMIDE	BLACK, UL94V-0	5	STAINLESS STEEL	BOTH SIDE TIN PLATING 38μm MIN. UNDER PLATING NICKEL PLATING 125μm MIN.
NO.	MATERIAL	FINISH, REMARKS	NO.	MATERIAL	FINISH, REMARKS
UNITS	mm	SCALE	2 : 1	COUNT	1
		DESCRIPTION OF REVISIONS	DESIGNED	CHECKED	DATE
		DIS-E-004428	HN. ANDO	AH. KODAMA	12. 11. 14
APPROVED : KN. ICHIKAWA		11. 01. 13	DRAWING NO. EDC3-127281-00		
CHECKED : KN. ICHIKAWA		11. 01. 13	PART NO. TM25RS-5CNA-88		
DESIGNED : HN. ANDO		11. 01. 13	CODE NO. CL222-2967-7-00		
DRAWN : HN. ANDO		11. 01. 13			

3 PACKING OF TRAY (FREE)

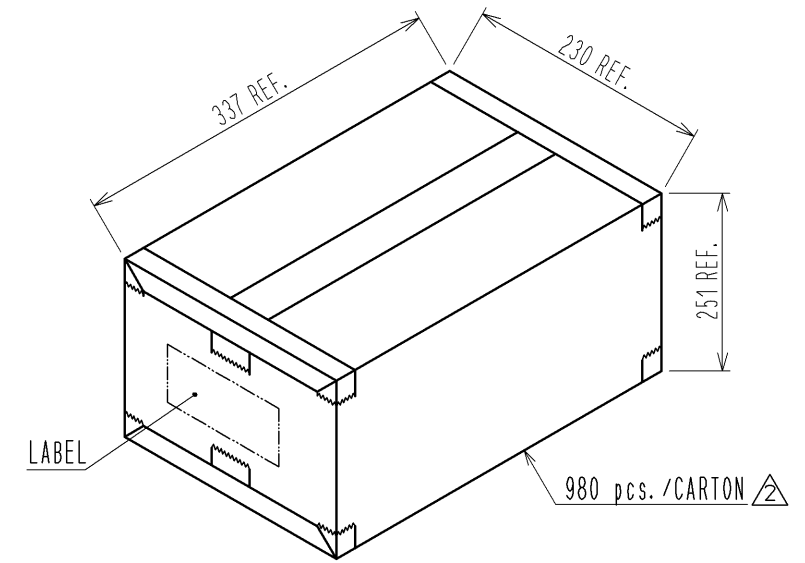
A TYPE 70 pcs./TRAY



A (1:1)

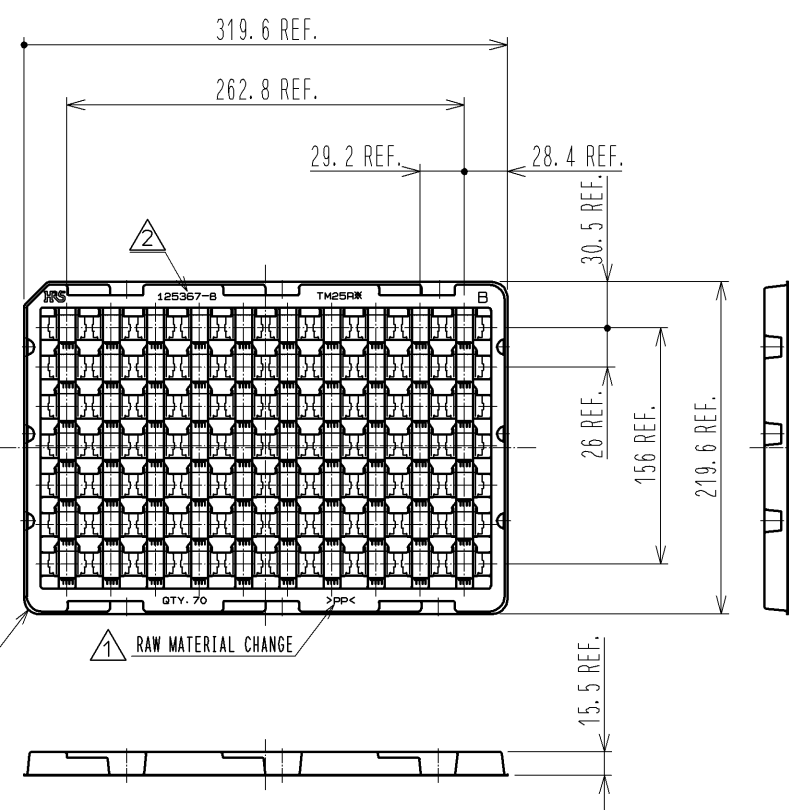


4 PACKING OF CARTON (FREE)



5 4 ACCUMULATION OF TRAY (FREE)

B TYPE 70 pcs./TRAY



CORRUGATED CARDBOARD

PP BAND

CORRUGATED CARDBOARD

EMPTY TRAY : 1 pcs.

TRAY : 7 pcs.

CONTENTS OF A LABEL

荷 札			
得意先名 (Customer Name)		納入場所 (Shipment to)	
注文番号 (P/O No.)	得意先品名 (Customer Part Name)	自販	
受注製番	1箱の入り数 (This box contains)	個 (Qty)	個 (Pcs)
搬出登録 (Delivery Register No.)	得意先数量 (Pcs)		
品目コード	仕様	HRS品名 (Hirose Part Number)	
仕様名			工事番号
特記事項			
二枚分岐	営業コード	MADE IN JAPAN	
ヒロセ電機株式会社 Hirose Electric Co., Ltd.			

NOTES 3 PACKING : 70 pcs./TRAY

4 THE PACKING SPECIFICATION CAN VARY WITH PACKING QUANTITIES.

5 2 SETS OF BANNED TRAYS ARE USED IN CARTON BOX WHEN PRODUCTS ARE STORED MAXIMUM.

HRS	DRAWING NO.	EDC3-127281-00
	PART NO.	TM25RS-5CNA-88
	CODE NO.	CL222-2967-7-00