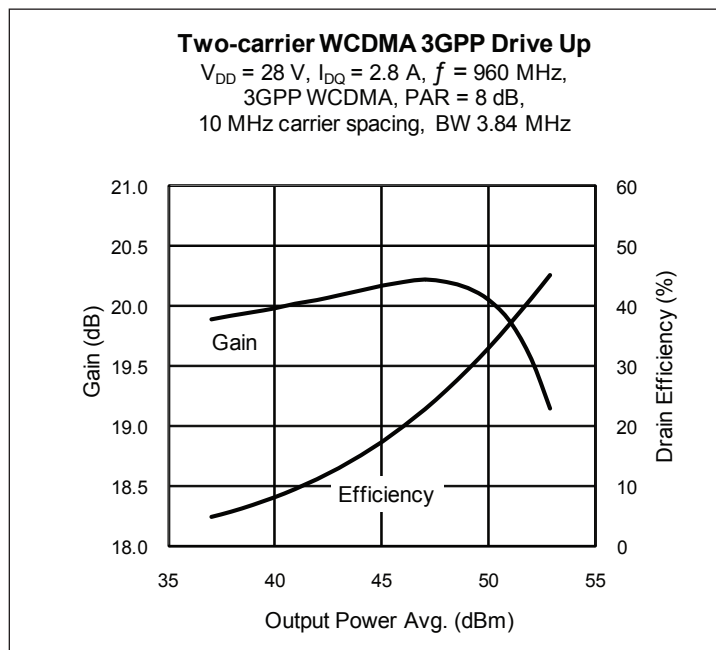
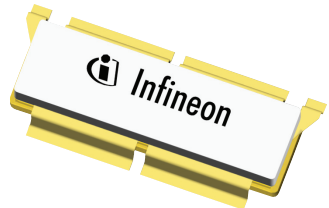


## Thermally-Enhanced High Power RF LDMOS FET 320 W, 28 V, 920 – 960 MHz

### Description

The PTFB093608SV is an LDMOS FET intended for use in multi-standard cellular power amplifier applications in the 920 to 960 MHz frequency band. Features include input and output matching, high gain and thermally-enhanced package with earless flange. Manufactured with Infineon's advanced LDMOS process, this device provides excellent thermal performance and superior reliability.

PTFB093608SV  
Package H-37275G-6/2



### Features

- Broadband internal matching
- Enhanced for use in DPD error correction systems and Doherty applications
- Wide video bandwidth
- Typical single-carrier WCDMA performance, 960 MHz, 28 V, device leads in gullwing configuration
  - Average output power = 160 W
  - Gain = 19 dB
  - Efficiency = 40%
- Integrated ESD protection
- Low thermal resistance
- Capable of handling 10:1 VSWR @ 32 V, 960 MHz, +3 dB Input Overdrive = 500 W (CW) output power
- Pb-Free and RoHS compliant

### RF Characteristics

#### Single-carrier WCDMA Specifications (device with straight leads, tested in Infineon test fixture)

$V_{DD} = 28\text{ V}$ ,  $I_{DQ} = 2.8\text{ A}$ ,  $P_{OUT} = 112\text{ W}$  average,  $f = 960\text{ MHz}$ , 3GPP signal, channel bandwidth = 3.84 MHz, PAR = 10 dB @ 0.01% CCDF probability

Characteristic	Symbol	Min	Typ	Max	Unit
Gain	$G_{ps}$	18	20	—	dB
Drain Efficiency	$\eta_D$	33.5	34	—	%
Adjacent Channel Power Ratio	ACPR	—	-36	-31.5	dBc

All published data at  $T_{CASE} = 25^\circ\text{C}$  unless otherwise indicated

**ESD:** Electrostatic discharge sensitive device—observe handling precautions!

**DC Characteristics**

Characteristic	Conditions	Symbol	Min	Typ	Max	Unit
Drain-Source Breakdown Voltage	$V_{GS} = 0\text{ V}$ , $I_{DS} = 10\text{ mA}$	$V_{(BR)DSS}$	65	—	—	V
Drain Leakage Current	$V_{DS} = 28\text{ V}$ , $V_{GS} = 0\text{ V}$	$I_{DSS}$	—	—	1.0	$\mu\text{A}$
	$V_{DS} = 63\text{ V}$ , $V_{GS} = 0\text{ V}$		—	—	10.0	$\mu\text{A}$
On-State Resistance	$V_{GS} = 10\text{ V}$ , $V_{DS} = 0.1\text{ V}$	$R_{DS(on)}$	—	0.05	—	$\Omega$
Operating Gate Voltage	$V_{DS} = 28\text{ V}$ , $I_{DQ} = 2.8\text{ A}$	$V_{GS}$	2.5	3.9	4.5	V
Gate Leakage Current	$V_{GS} = 10\text{ V}$ , $V_{DS} = 0\text{ V}$	$I_{GSS}$	—	—	1.0	$\mu\text{A}$

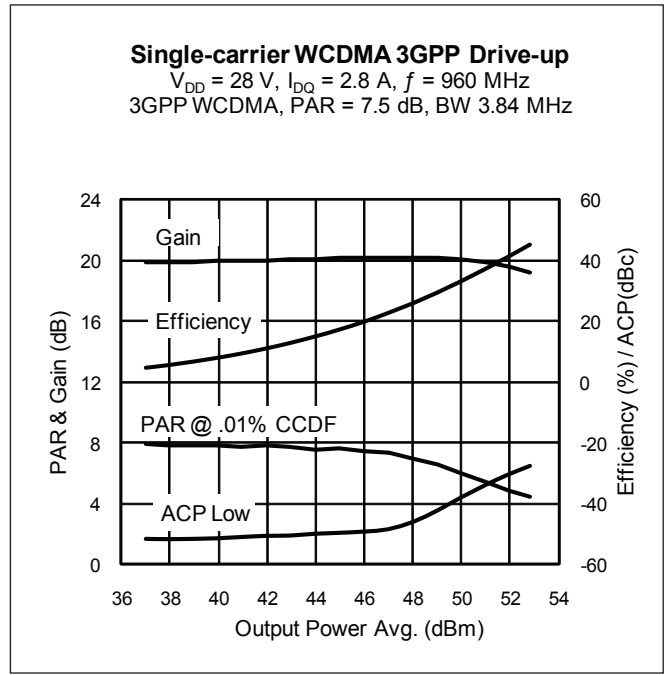
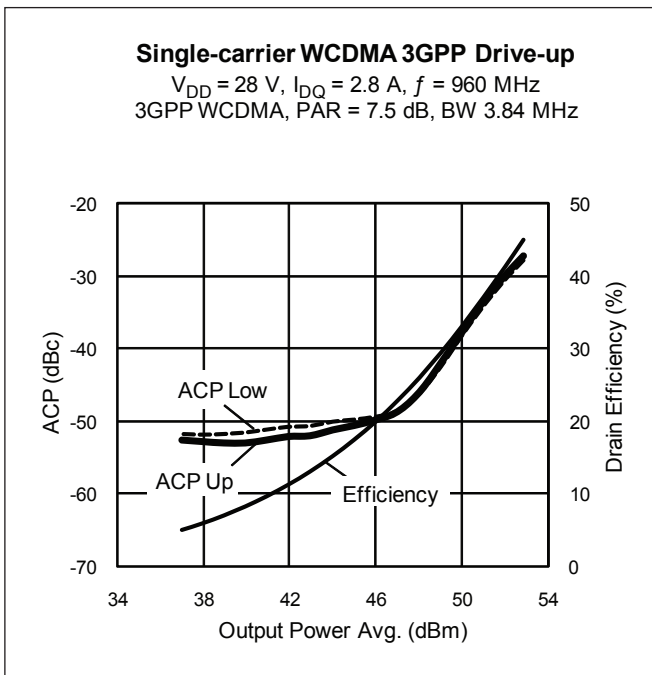
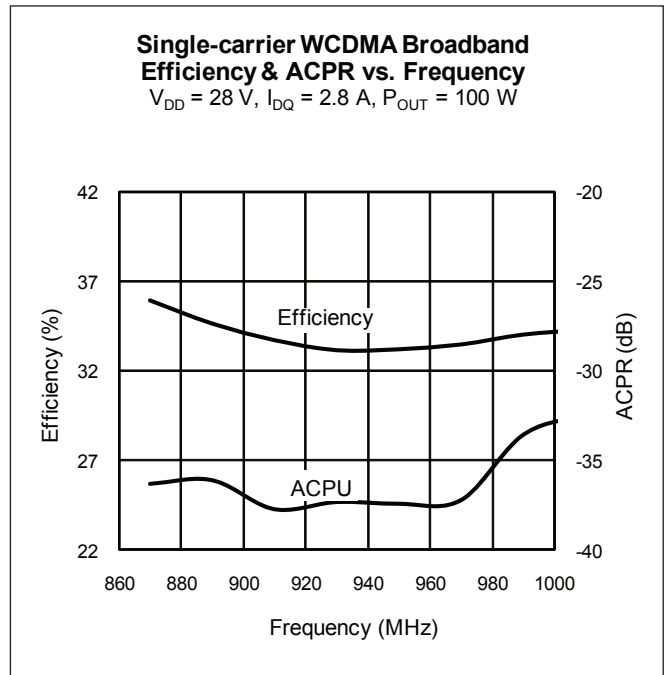
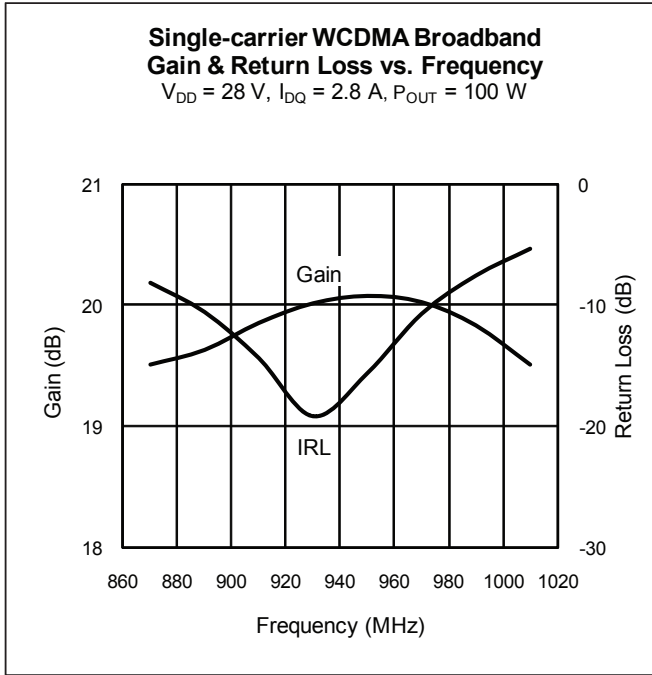
**Maximum Ratings**

Parameter	Symbol	Value	Unit
Drain-Source Voltage	$V_{DSS}$	65	V
Gate-Source Voltage	$V_{GS}$	-6 to +10	V
Junction Temperature	$T_J$	200	$^{\circ}\text{C}$
Storage Temperature Range	$T_{STG}$	-40 to +150	$^{\circ}\text{C}$
Thermal Resistance ( $T_{CASE} = 70^{\circ}\text{C}$ , 360 W CW)	$R_{\theta JC}$	0.12	$^{\circ}\text{C/W}$

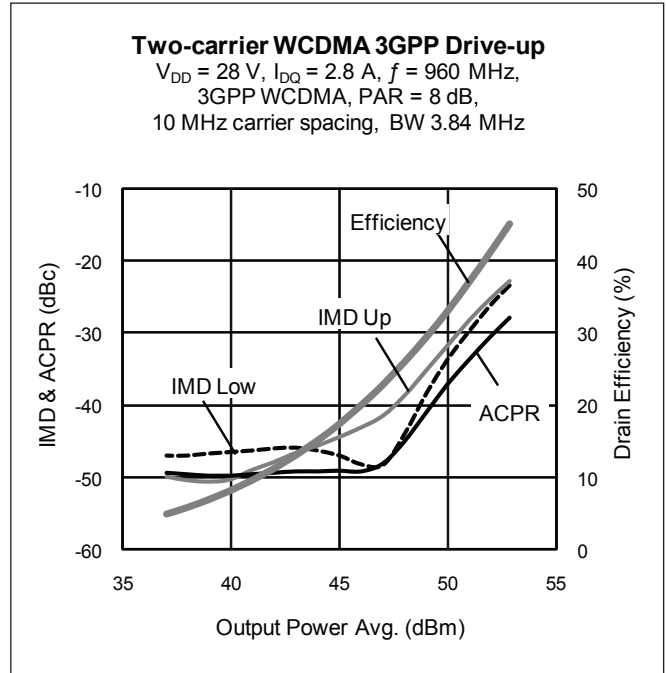
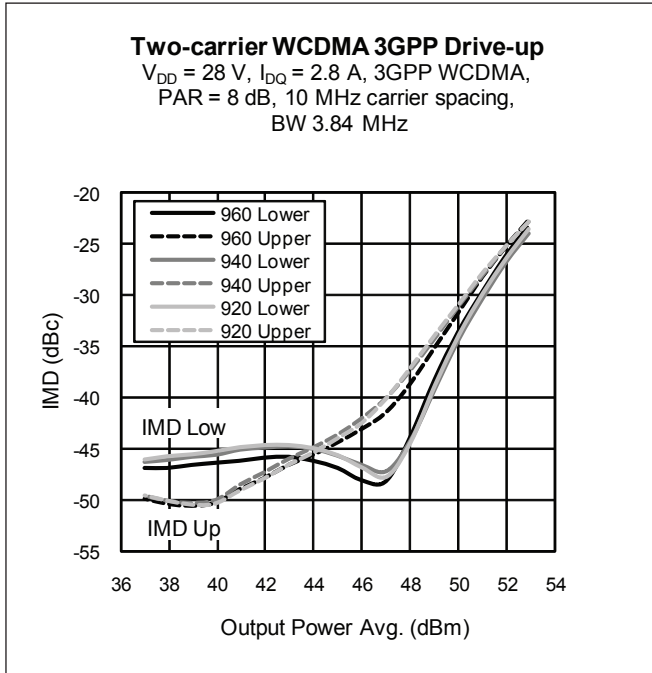
**Ordering Information**

Type and Version	Order Code	Package	Package Description	Shipping
PTFB093608SV V2 R250	PTFB093608SVV2R250XTMA1	H-37275G-6/2	Earless flange	Tape & Reel, 250 pcs

**Typical Performance** (data taken in a production test fixture, device leads in gullwing configuration)

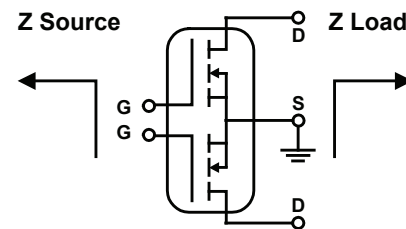


Typical Performance (cont.)

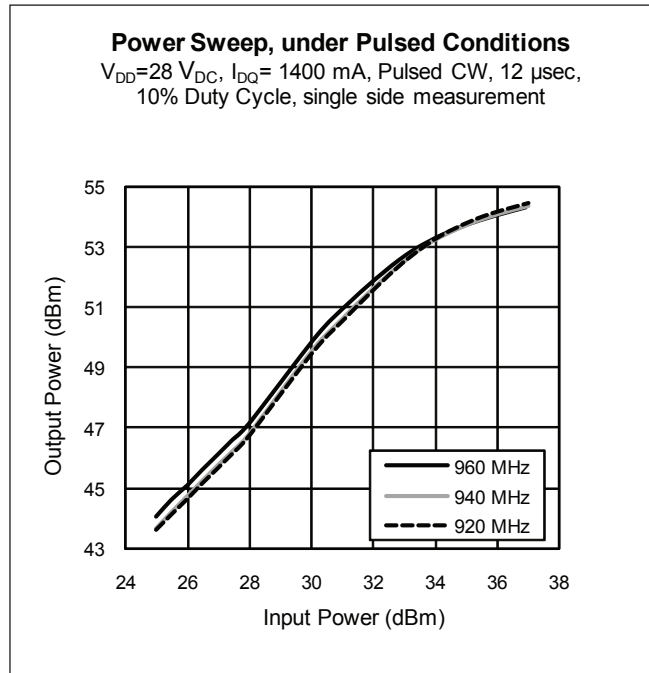


Broadband Circuit Impedance

Frequency MHz	Z Source $\Omega$		Z Load $\Omega$	
	R	jX	R	jX
910	1.84	-1.74	0.89	-1.52
920	1.78	-1.73	0.86	-1.46
930	1.72	-1.72	0.83	-1.40
940	1.66	-1.71	0.81	-1.35
950	1.61	-1.69	0.79	-1.29
960	1.55	-1.66	0.77	-1.23
970	1.50	-1.64	0.75	-1.17



### Alternative Peak-tune Load Pull Characteristics



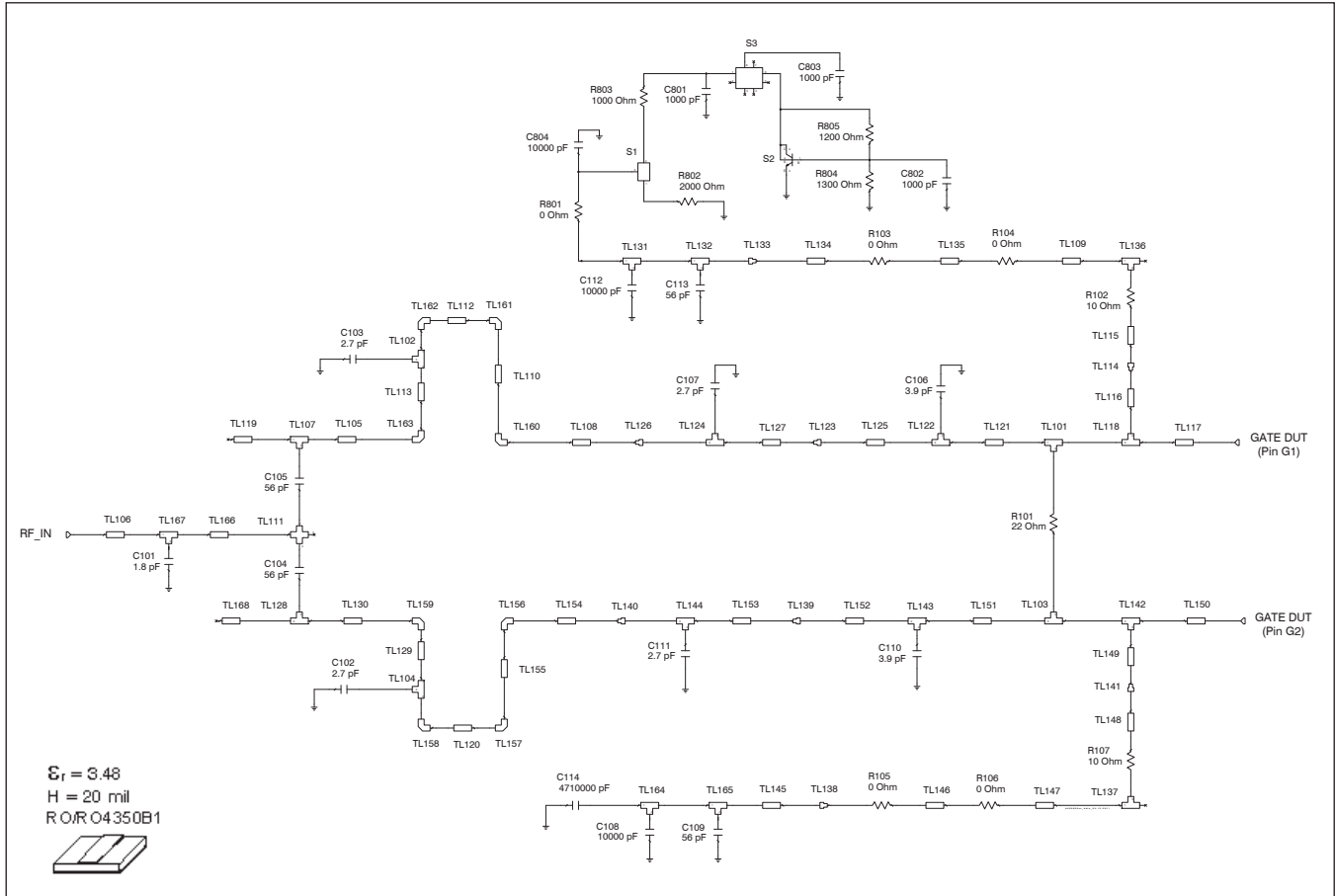
Frequency	P <sub>1dB</sub>	
	dBm	W
920	53.95	248
940	53.80	240
960	53.58	228

### Impedance at P<sub>1dB</sub>

Frequency	Z Source $\Omega$		Z Load $\Omega$	
	R	jX	R	jX
920	3.76	2.08	1.35	2.42
940	4.99	2.64	1.27	2.48
960	4.72	2.70	1.22	2.42

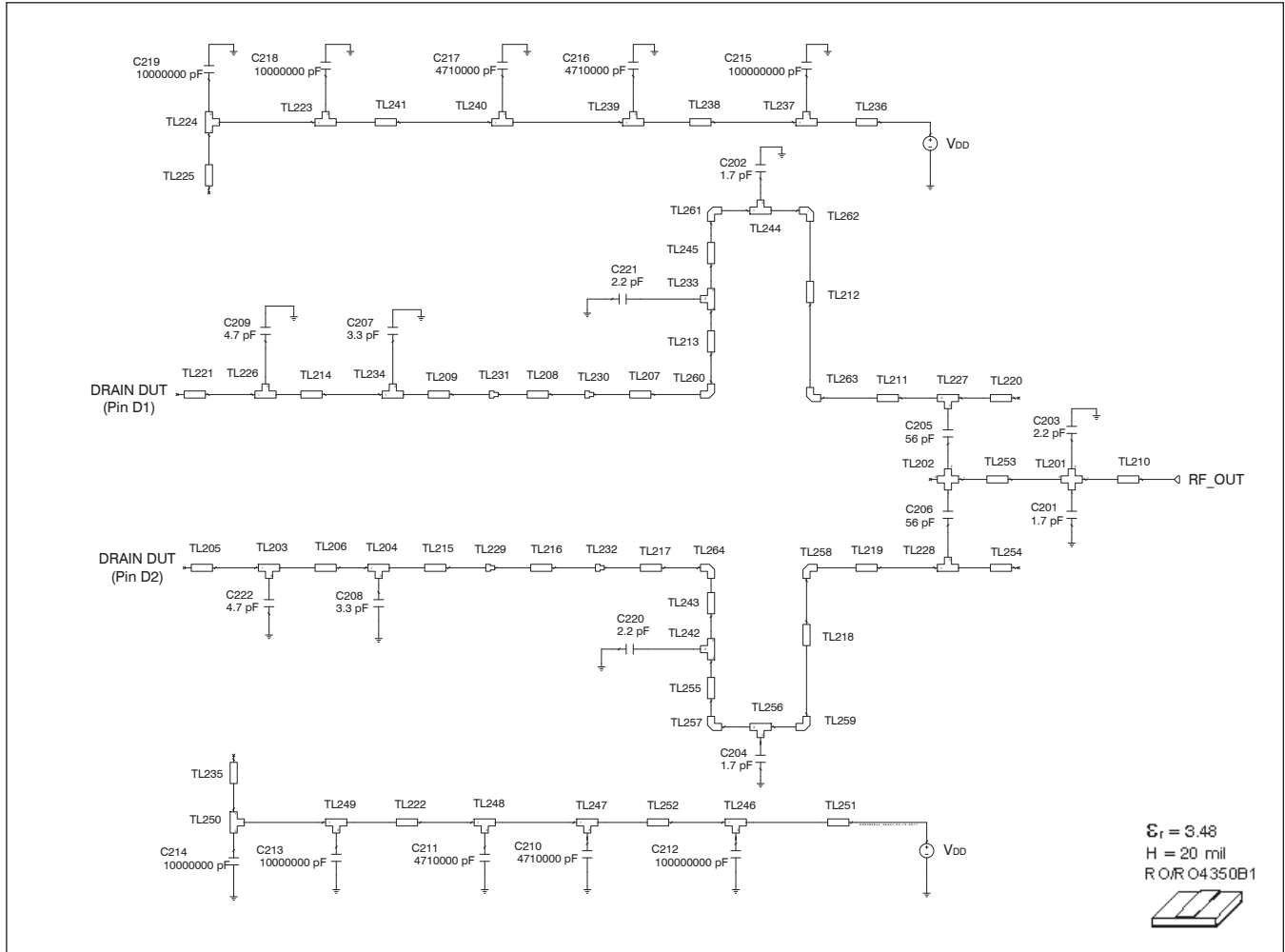
Note: Load pull test fixture tuned for peak P<sub>1dB</sub> output power at 28 V.  
 Measurement on single side.

### Reference Circuit



Reference circuit input schematic for  $f = 960 \text{ MHz}$

Reference Circuit (cont.)



Reference circuit output schematic for  $f = 960 \text{ MHz}$

**Reference Circuit (cont.)**

Description	
DUT	PTFB093608SV
PCB	0.508 mm [.020"] thick, $\epsilon_r = 3.48$ , Rogers 4350, 1 oz. copper

**Electrical Characteristics at 960 MHz**

Transmission Line	Electrical Characteristics	Dimensions: mm	Dimensions: mils
<b>Input</b>			
TL101, TL103, TL122, TL143		W1 = 0.013, W2 = 0.013, W3 = 0.002	W1 = 13, W2 = 520, W3 = 60
TL102, TL104	0.001 $\lambda$ , 51.98 $\Omega$	W1 = 1.087, W2 = 1.087, W3 = 0.127	W1 = 43, W2 = 43, W3 = 5
TL105, TL130	0.005 $\lambda$ , 51.98 $\Omega$	W = 1.087, L = 0.914	W = 43, L = 36
TL106	0.034 $\lambda$ , 51.98 $\Omega$	W = 1.087, L = 6.431	W = 43, L = 253
TL107, TL128	0.000 $\lambda$ , 51.98 $\Omega$	W1 = 1.087, W2 = 1.087, W3 = 0.025	W1 = 43, W2 = 43, W3 = 1
TL108, TL154	0.034 $\lambda$ , 51.98 $\Omega$	W = 1.087, L = 6.342	W = 43, L = 250
TL109, TL147	0.006 $\lambda$ , 34.08 $\Omega$	W = 2.032, L = 1.016	W = 80, L = 40
TL110, TL155	0.042 $\lambda$ , 51.98 $\Omega$	W = 1.087, L = 8.026	W = 43, L = 316
TL111		W1 = 1.087, W2 = 1.829, W3 = 1.087, W4 = 1.829	W1 = 43, W2 = 72, W3 = 43, W4 = 72
TL112	0.013 $\lambda$ , 51.98 $\Omega$	W = 1.087, L = 2.543	W = 43, L = 100
TL113, TL129	0.033 $\lambda$ , 51.98 $\Omega$	W = 1.087, L = 6.198	W = 43, L = 244
TL114, TL141		W1 = 0.508, W2 = 2.896	W1 = 20, W2 = 114
TL115, TL148	0.011 $\lambda$ , 26.07 $\Omega$	W = 2.896, L = 2.032	W = 114, L = 80
TL116, TL149	0.026 $\lambda$ , 78.27 $\Omega$	W = 0.508, L = 5.080	W = 20, L = 200
TL117, TL150	0.024 $\lambda$ , 7.03 $\Omega$	W = 13.208, L = 4.064	W = 520, L = 160
TL118, TL142		W1 = 0.013, W2 = 0.013, W3 = 0.001	W1 = 13, W2 = 520, W3 = 80
TL119, TL168	0.006 $\lambda$ , 51.98 $\Omega$	W = 1.087, L = 1.143	W = 43, L = 45
TL120	0.013 $\lambda$ , 51.98 $\Omega$	W = 1.087, L = 2.550	W = 43, L = 100
TL121, TL151	0.015 $\lambda$ , 7.03 $\Omega$	W = 13.208, L = 2.591	W = 520, L = 102
TL123, TL139		W1 = 0.003, W2 = 0.013, Offset = 0.005	W1 = 3, W2 = 520, Offset = 192
TL124, TL144		W1 = 0.003, W2 = 0.003, W3 = 0.003	W1 = 3, W2 = 137, W3 = 110
TL125, TL152	0.095 $\lambda$ , 7.03 $\Omega$	W = 13.208, L = 16.434	W = 520, L = 647
TL126		W1 = 0.001, W2 = 0.003, Offset = 0.001	W1 = 1, W2 = 137, Offset = 47
TL127, TL153	0.041 $\lambda$ , 22.60 $\Omega$	W = 3.467, L = 7.356	W = 137, L = 290
TL131, TL132	0.010 $\lambda$ , 19.85 $\Omega$	W1 = 4.064, W2 = 4.064, W3 = 1.778	W1 = 160, W2 = 160, W3 = 70
TL133, TL138		W1 = 0.002, W2 = 0.004, Offset = -0.001	W1 = 2, W2 = 160, Offset = -40
TL134	0.014 $\lambda$ , 34.08 $\Omega$	W = 2.032, L = 2.540	W = 80, L = 100
TL135, TL146	0.092 $\lambda$ , 34.08 $\Omega$	W = 2.032, L = 17.018	W = 80, L = 670
TL136, TL137	0.016 $\lambda$ , 34.08 $\Omega$	W1 = 2.032, W2 = 2.032, W3 = 2.896	W1 = 80, W2 = 80, W3 = 114
TL140		W1 = 0.001, W2 = 0.003, Offset = 0.001	W1 = 1, W2 = 137, Offset = 47
TL145	0.014 $\lambda$ , 18.88 $\Omega$	W = 4.318, L = 2.540	W = 170, L = 100

*table continued on page 9*



Reference Circuit (cont.)

Electrical Characteristics at 960 MHz

Transmission Line	Electrical Characteristics	Dimensions: mm	Dimensions: mils
<b>Input</b>			
TL156, TL157, TL158, TL159, TL160, TL161, TL162, TL163		W = 1.087	W = 43
TL164, TL165	0.010 $\lambda$ , 18.88 $\Omega$	W1 = 4.318, W2 = 4.318, W3 = 1.778	W1 = 170, W2 = 170, W3 = 70
TL166	0.086 $\lambda$ , 51.98 $\Omega$	W = 1.087, L = 16.208	W = 43, L = 638
TL167	0.015 $\lambda$ , 51.98 $\Omega$	W1 = 1.087, W2 = 1.087, W3 = 2.794	W1 = 43, W2 = 43, W3 = 110
<b>Output</b>			
TL201		W1 = 1.087, W2 = 2.794, W3 = 1.087 W4 = 2.794	W1 = 43, W2 = 110, W3 = 43, W4 = 110
TL202		W1 = 1.087, W2 = 1.829, W3 = 1.087 W4 = 1.829	W1 = 43, W2 = 72, W3 = 43, W4 = 72
TL203, TL204, TL226		W1 = 0.013, W2 = 0.013, W3 = 0.002	W1 = 13, W2 = 520, W3 = 70
TL205, TL221	0.031 $\lambda$ , 7.03 $\Omega$	W = 13.208, L = 5.385	W = 520, L = 212
TL206, TL214	0.101 $\lambda$ , 7.03 $\Omega$	W = 13.208, L = 17.399	W = 520, L = 685
TL207	0.034 $\lambda$ , 51.98 $\Omega$	W = 1.087, L = 6.350	W = 43, L = 250
TL208, TL216	0.056 $\lambda$ , 22.60 $\Omega$	W = 3.467, L = 10.150	W = 137, L = 400
TL209, TL215	0.003 $\lambda$ , 7.03 $\Omega$	W = 13.208, L = 0.559	W = 520, L = 22
TL210	0.056 $\lambda$ , 51.98 $\Omega$	W = 1.087, L = 10.643	W = 43, L = 419
TL211	0.005 $\lambda$ , 51.98 $\Omega$	W = 1.087, L = 0.927	W = 43, L = 37
TL212	0.033 $\lambda$ , 51.98 $\Omega$	W = 1.087, L = 6.327	W = 43, L = 249
TL213, TL243	0.006 $\lambda$ , 51.98 $\Omega$	W = 1.087, L = 1.156	W = 43, L = 46
TL217	0.034 $\lambda$ , 51.98 $\Omega$	W = 1.087, L = 6.342	W = 43, L = 250
TL218	0.033 $\lambda$ , 51.98 $\Omega$	W = 1.087, L = 6.322	W = 43, L = 249
TL219	0.005 $\lambda$ , 51.98 $\Omega$	W = 1.087, L = 0.927	W = 43, L = 37
TL220, TL254	0.005 $\lambda$ , 51.98 $\Omega$	W = 1.087, L = 1.016	W = 43, L = 40
TL222, TL241	0.006 $\lambda$ , 20.93 $\Omega$	W = 3.810, L = 1.016	W = 150, L = 40
TL223, TL249	0.003 $\lambda$ , 20.93 $\Omega$	W1 = 3.810, W2 = 3.810, W3 = 0.508	W1 = 150, W2 = 150, W3 = 20
TL224, TL250	0.021 $\lambda$ , 20.93 $\Omega$	W1 = 3.810, W2 = 3.810, W3 = 3.810	W1 = 150, W2 = 150, W3 = 150
TL225, TL235	0.037 $\lambda$ , 20.93 $\Omega$	W = 3.810, L = 6.604	W = 150, L = 260
TL227, TL228	0.001 $\lambda$ , 51.98 $\Omega$	W1 = 1.087, W2 = 1.087, W3 = 0.127	W1 = 43, W2 = 43, W3 = 5
TL229, TL231		W1 = 0.013, W2 = 0.003, Offset = 0.005	W1 = 13, W2 = 137, Offset = 192
TL230, TL232		W1 = 0.003, W2 = 0.001, Offset = 0.001	W1 = 3, W2 = 43, Offset = 47
TL233, TL242, TL244, TL256		W1 = 0.001, W2 = 0.001, W3 = 0.003	W1 = 1, W2 = 43, W3 = 120
TL234		W1 = 0.013, W2 = 0.013, W3 = 0.002	W1 = 13, W2 = 520, W3 = 70
TL236, TL251	0.040 $\lambda$ , 20.93 $\Omega$	W = 3.810, L = 7.112	W = 150, L = 280
TL237, TL246	0.028 $\lambda$ , 20.93 $\Omega$	W1 = 3.810, W2 = 3.810, W3 = 5.080	W1 = 150, W2 = 150, W3 = 200

table continued on page 10

Reference Circuit (cont.)

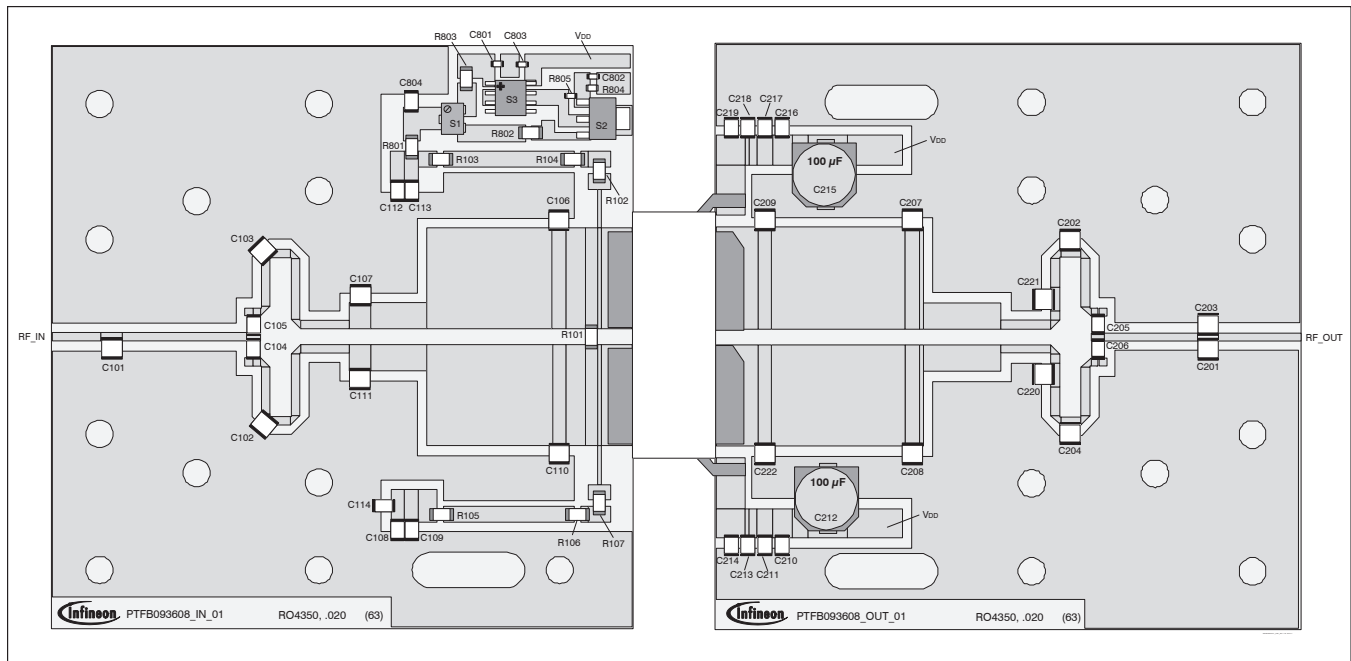
Electrical Characteristics at 960 MHz

Transmission Line	Electrical Characteristics	Dimensions: mm	Dimensions: mils
Output			
TL238, TL252	0.011 $\lambda$ , 20.93 $\Omega$	W = 3.810, L = 2.032	W = 150, L = 80
TL239, TL247	0.014 $\lambda$ , 20.93 $\Omega$	W1 = 3.810, W2 = 3.810, W3 = 2.540	W1 = 150, W2 = 150, W3 = 100
TL240, TL248	0.011 $\lambda$ , 20.93 $\Omega$	W1 = 3.810, W2 = 3.810, W3 = 2.032	W1 = 150, W2 = 150, W3 = 80
TL245	0.020 $\lambda$ , 51.98 $\Omega$	W = 1.087, L = 3.825	W = 43, L = 151
TL253	0.064 $\lambda$ , 51.98 $\Omega$	W = 1.087, L = 11.996	W = 43, L = 472
TL255	0.020 $\lambda$ , 51.98 $\Omega$	W = 1.087, L = 3.820	W = 43, L = 150
TL257, TL258, TL259, TL260, TL261, TL262, TL263, TL264		W = 1.087	W = 43

Circuit Assembly Information

Test Fixture Part No. LTN/PTFB093608SV

Find Gerber files for this test fixture on the Infineon Web site at <http://www.infineon.com/rfpower>

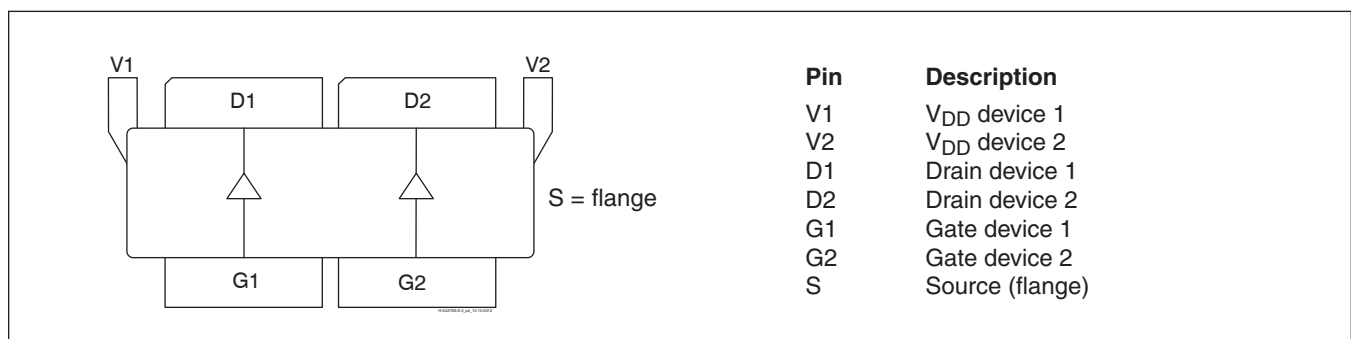


Reference circuit assembly diagram (not to scale)

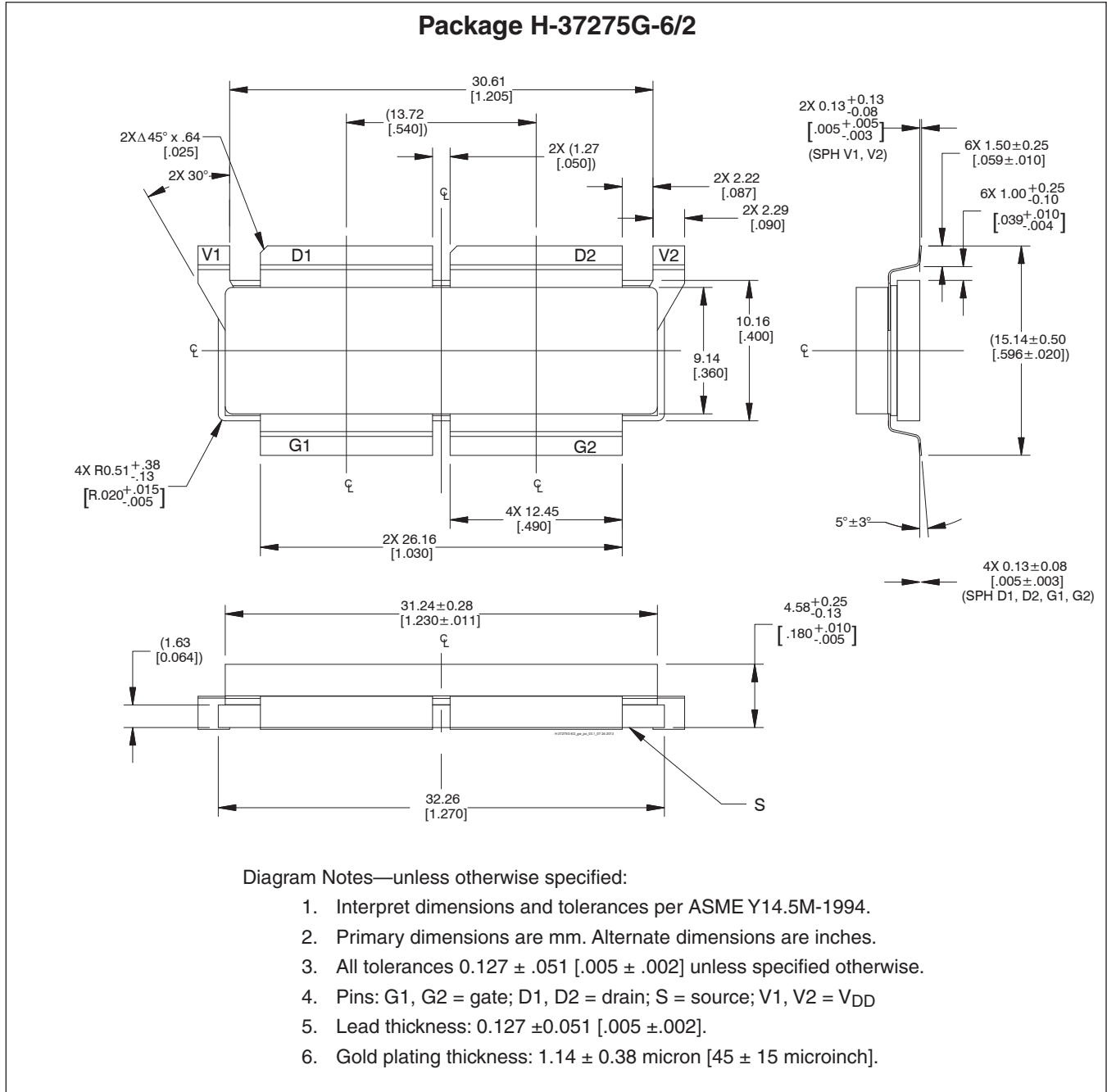
**Reference Circuit** (cont.)

**Components Information**

Component	Description	Suggested Manufacturer	P/N
<b>Input</b>			
C101	Chip capacitor, 1.8 pF	ATC	ATC100B1R8BW500XB
C102, C103	Chip capacitor, 2.7 pF	ATC	ATC100B2R7BW500XB
C104, C105, C109, C113	Chip capacitor, 56 pF	ATC	ATC100B560JW500XB
C106, C110	Chip capacitor, 3.9 pF	ATC	ATC100B3R9CW500XB
C107, C111	Chip capacitor, 2.7 pF	ATC	ATC100B2R7CW500XB
C108, C112, C804	Chip capacitor, 10000 pF	ATC	ATC200B103MW
C114	Chip capacitor, 4.71 $\mu$ F	ATC	493-2372-2-ND
C801, C802, C803	Chip capacitor, 1000 pF	ATC	PCC1772CT-ND
R101	Resistor, 22 $\Omega$	Digi-Key	P22ECT-ND
R102, R107	Resistor, 10 $\Omega$	Digi-Key	P10ECT-ND
R103, R104, R105, R106, R801	Resistor, 0 $\Omega$	Digi-Key	P0ECT-ND
R802	Resistor, 2000 $\Omega$	Digi-Key	P2.0KECT-ND
R803	Resistor, 1000 $\Omega$	Digi-Key	P1.0KECT-ND
R804	Resistor, 1300 $\Omega$	Digi-Key	P1.3KGCT-ND
R805	Resistor, 1200 $\Omega$	Digi-Key	P1.2KGCT-ND
S1	Potentiometer, 2k $\Omega$	Digi-Key	3224W-202ECT-ND
S2	Transistor	Digi-Key	BCP56-ND
S3	Voltage Regulator	Digi-Key	LM78L05ACM-ND
<b>Output</b>			
C201, C202, C204	Chip capacitor, 1.7 pF	ATC	ATC100B1R7BW500XB
C203, C220, C221	Chip capacitor, 2.2 pF	ATC	ATC100B2R2BW500XB
C205, C206	Chip capacitor, 56 pF	ATC	ATC100B560JW500XB
C207, C208	Chip capacitor, 3.3 pF	ATC	ATC100B3R3BW500XB
C209, C222	Chip capacitor, 4.7 pF	ATC	ATC100B4R7BW500XB
C210, C211, C216, C217	Chip capacitor, 4.71 $\mu$ F	ATC	490-1864-2-ND
C212, C215	Capacitor, 100 $\mu$ F	Digi-Key	PCE4442TR-ND
C213, C214, C218, C219	Capacitor, 10 $\mu$ F	Digi-Key	587-1818-2-ND

**Pinout Diagram** (top view)


Package Outline Specifications



Find the latest and most complete information about products and packaging at the Infineon Internet page <http://www.infineon.com/rfpower>

## Revision History

Revision	Date	Data Sheet Type	Page	Subjects (major changes since last revision)
04	2012-02-23	Production	All 1, 2, 12	Updated from V2 to V3 for general release Updated package and gold plating thickness to 0.25 micron
05	2015-01-22	Production	All 2 1, 2, 12	Revised from V3 to V2 for general release Added thermal resistance condition Updated package and gold plating thickness in diagram notes

### We Listen to Your Comments

Any information within this document that you feel is wrong, unclear or missing at all?  
Your feedback will help us to continuously improve the quality of this document.  
Please send your proposal (including a reference to this document) to:

[highpowerRF@infineon.com](mailto:highpowerRF@infineon.com)

To request other information, contact us at:  
+1 877 465 3667 (1-877-GO-LDMOS) USA  
or +1 408 776 0600 International



**Edition 2015-01-22**

**Published by**  
**Infineon Technologies AG**  
**81726 Munich, Germany**

**© 2011 Infineon Technologies AG**  
**All Rights Reserved.**

### Legal Disclaimer

The information given in this document shall in no event be regarded as a guarantee of conditions or characteristics. With respect to any examples or hints given herein, any typical values stated herein and/or any information regarding the application of the device, Infineon Technologies hereby disclaims any and all warranties and liabilities of any kind, including without limitation, warranties of non-infringement of intellectual property rights of any third party.

### Information

For further information on technology, delivery terms and conditions and prices, please contact the nearest Infineon Technologies Office ([www.infineon.com/rfpower](http://www.infineon.com/rfpower)).

### Warnings

Due to technical requirements, components may contain dangerous substances. For information on the types in question, please contact the nearest Infineon Technologies Office.

Infineon Technologies components may be used in life-support devices or systems only with the express written approval of Infineon Technologies, if a failure of such components can reasonably be expected to cause the failure of that life-support device or system or to affect the safety or effectiveness of that device or system. Life support devices or systems are intended to be implanted in the human body or to support and/or maintain and sustain and/or protect human life. If they fail, it is reasonable to assume that the health of the user or other persons may be endangered.