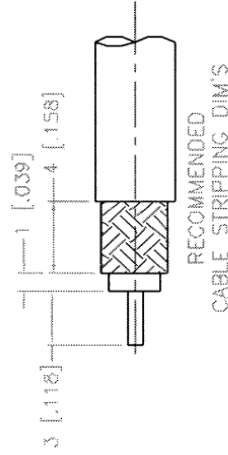
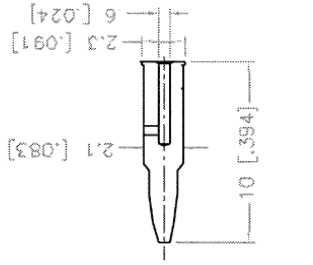
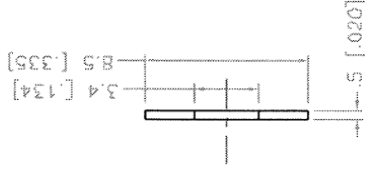
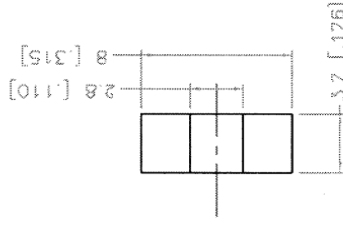
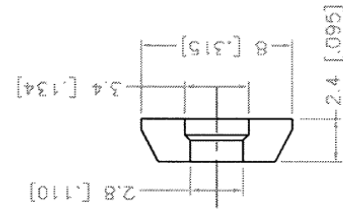
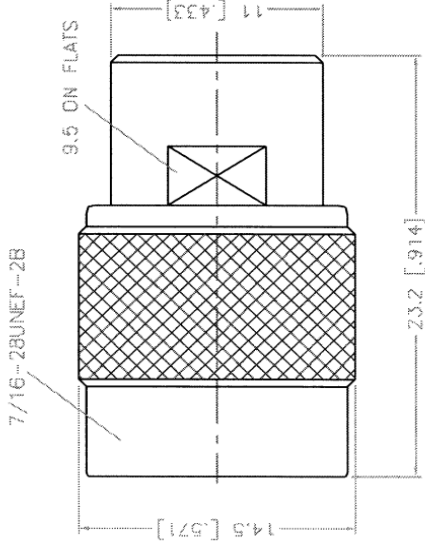


REV.	DATE	DESCRIPTION
NC	12/10/97	INITIAL RELEASE



DESCRIPTION		FINISH		APPROVALS		DATE	
1	BODY	BRASS	NICKEL	DRAWN	G.R.S.	12/10/97	
2	INSULATOR	DELTRIN	NATURAL	CHECKED			
3	TOP HAT	BRASS	NICKEL	ISSUED			
4	GASKET	SILICONE	RED				
5	WASHER	BRASS	NICKEL				
6	HEX NUT	BRASS	NICKEL				
7	CONTACT PIN	BRASS	GOLD				
8							

UNLESS OTHERWISE SPECIFIED DIMENSIONS ARE IN MILLIMETERS		UNLESS OTHERWISE SPECIFIED DIMENSIONS IN [] ARE IN INCHES	
DIMENSIONS IN [] ARE IN INCHES FOR CUSTOMER REFERENCE ONLY		TOLERANCES FOR MILLIMETERS ARE:	
0.5-6	± 0.2	6-30	± 0.4
30-120	± 0.6	120-315	± 1
315-1000	± 1.6	1000-2000	± 2.4

DO NOT SCALE DRAWING	
----------------------	--

TITLE	
TNC CLAMP PLUG	
RG174, 316 CABLE	
SIZE	DWG. NO.
A	99001
FSOM NO.	122402.DWG
SCALE	PART NO.
NA	122402
SHEET	1 OF 1