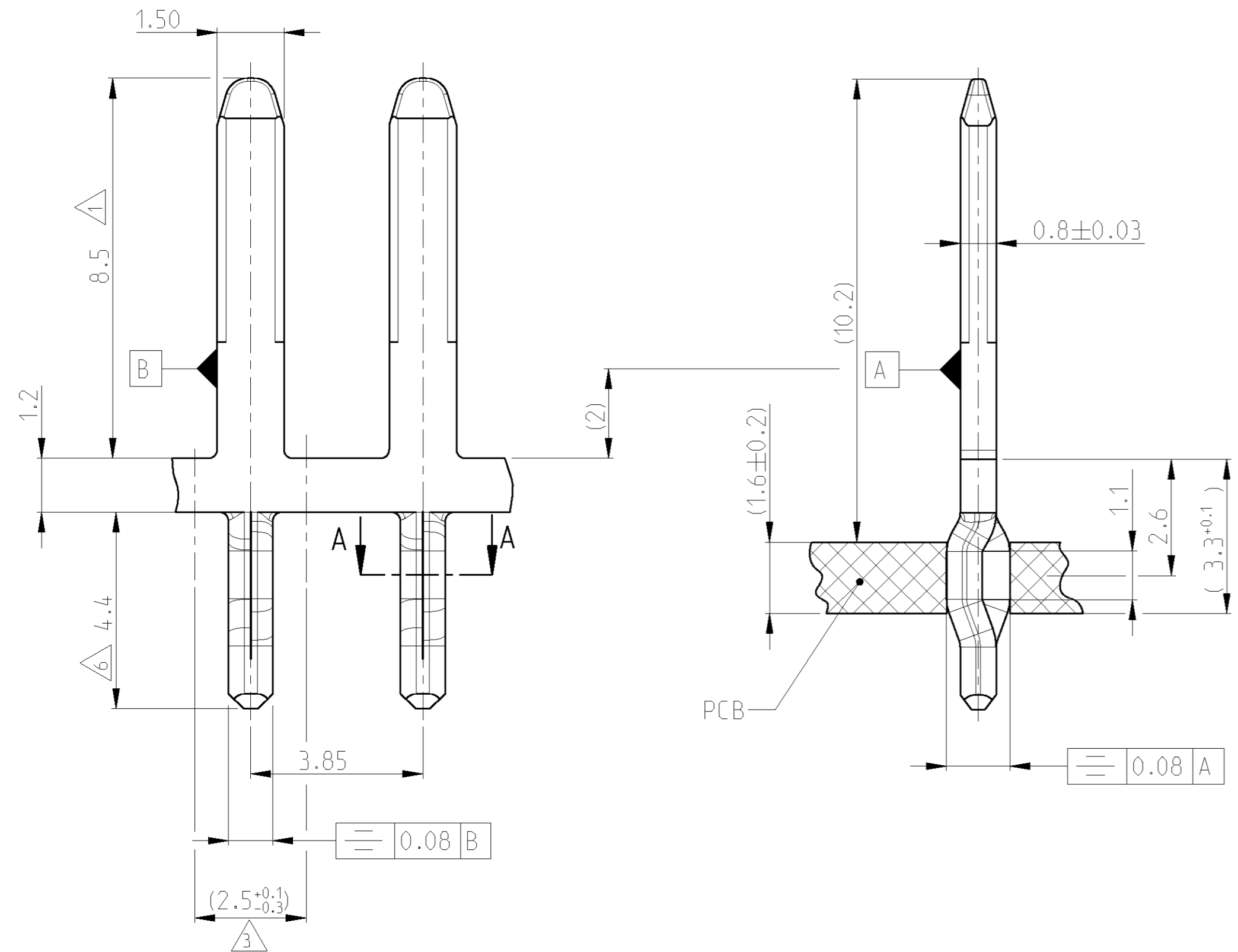


LOC	DIST	REVISIONS			
P	LTR	DESCRIPTION	DATE	DWN	APVD
A1	-	Note 5 von Kunststoffspule auf Hartfaserspule geändert	14NOV2005	PNI	JRY

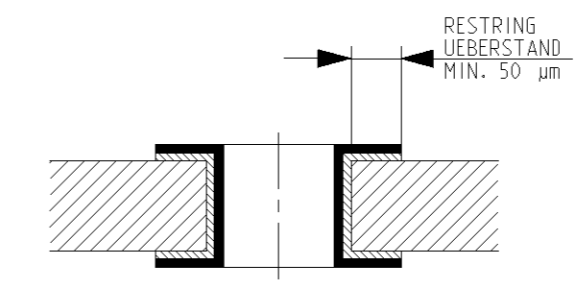


PCB

NOTES:  
BEMERKUNGEN:

- ① 2 μm - 4 μm Sn OVER 1.2 μm - 2.7 μm Ni  
2 μm - 4 μm Sn UEBER 1.2 μm - 2.7 μm Ni

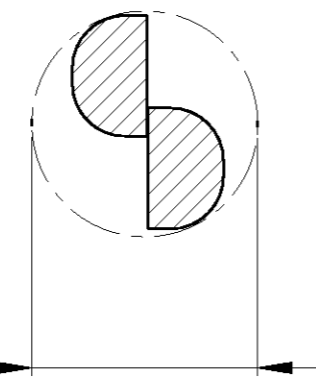
2



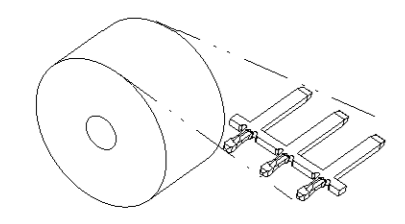
PLATED THROUGH HOLE SPECIFICATION SPEZIFIKATION FUER DURCHPLATIERTE BOHRUNGEN	
Cu THICKNESS KUPFER-SCHICHTDICKE	25-50 μm
Sn THICKNESS ZINN-SCHICHTDICKE	4-15 μm
DRILLED HOLE Ø1.5±0.025 BOHRLOCH-Ø1.5±0.025	FINISHED HOLE Ø1.29 <sup>+0.15</sup> PLATIIERTER LOCH-Ø1.29 <sup>+0.15</sup>

- ③ DIMENSION OF LOOSE PIESE  
MASS FUER EINZELTEIL
- ④ TO BE REELED ON PACAKE REEL WITH INTERLEAVING PAPER  
PAPPSPULEN MIT ZWISCHENLAGENPAPIER
- ⑤ TO BE REELED ON HARD FIBER REEL WITH INTERLEAVING PAPER  
HARTFASERSPULEN MIT ZWISCHENLAGENPAPIER
- ⑥ 0.7 μm - 2 μm Sn OVER 1.2 μm - 2.7 μm Ni (ACTION PIN AREA)  
0.7 μm - 2 μm Sn UEBER 1.2 μm - 2.7 μm Ni (ACTION PIN BEREICH)

A-A  
20:1



DIRECTION OFF  
TOP OF REEL



- 1- -2
- 1- -3

- ④
- ⑤

TYCO PART NO.	REV.	MATERIAL	SURFACE	REEL PACKING
1-1452692-3	A	Cu Sn 4	①	⑤
1-1452692-2	A	Cu Sn 4	①	④

THIS DRAWING IS A CONTROLLED DOCUMENT FOR TYCO ELECTRONICS CORPORATION IT IS SUBJECT TO CHANGE AND THE CONTROLLING ENGINEERING ORGANIZATION SHOULD BE CONTACTED FOR THE LATEST REVISION.		DWN P. Nickelfeld 20 JUL 2004	tyco Electronics AMP GmbH D - 64625 Bensheim
DIMENSIONS: mm		CHK J. Ryll 21 JUL 2004	
TOLERANCES UNLESS OTHERWISE SPECIFIED: 0 PLC ±0.2 1 PLC ±0.1 2 PLC ± 3 PLC ± 4 PLC ± ANGLES ± FINISH		APVD -	NAME TAB 1.5 x 0.8 WITH ACTION PIN Flachstecker 1.5 x 0.8 mit ACTION PIN
MATERIAL		PRODUCT SPEC 108-18867	SIZE A2
		APPLICATION SPEC 114-18570	CAGE CODE 00779
		WEIGHT -	DRAWING NO 1452692
		CUSTOMER DRAWING	RESTRICTED TO -
		SCALE 10:1	SHEET 1 OF 1
			REV A1