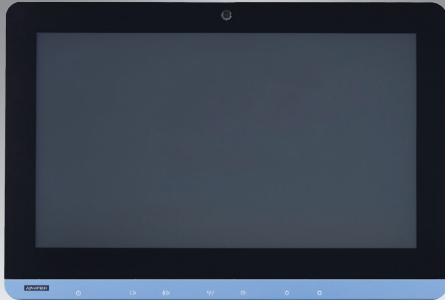


# POC-W152C

## 15.6" Widescreen Point-of-Care Terminal



### Features

- Runs on an Intel® Bay Trail J1900 processor with a fanless, high performance profile
- 15.6" HD resolution with edge-to-edge and bezel-less design
- USB 3.0 and PCIe(x1) expansion slot, mini PCIe slot x 1
- Offers a multi-touch option to deliver a truly unmatched touchscreen experience
- IP43 enclosure to protect against dust and water splashing for ease of cleaning
- Isolated design provides unique electric leakage protection for COM ports, LAN ports, and optional USB port
- Optional Bluetooth, RFID, inner WLAN module, Li-ion battery pack, and auto-focus 5MP camera

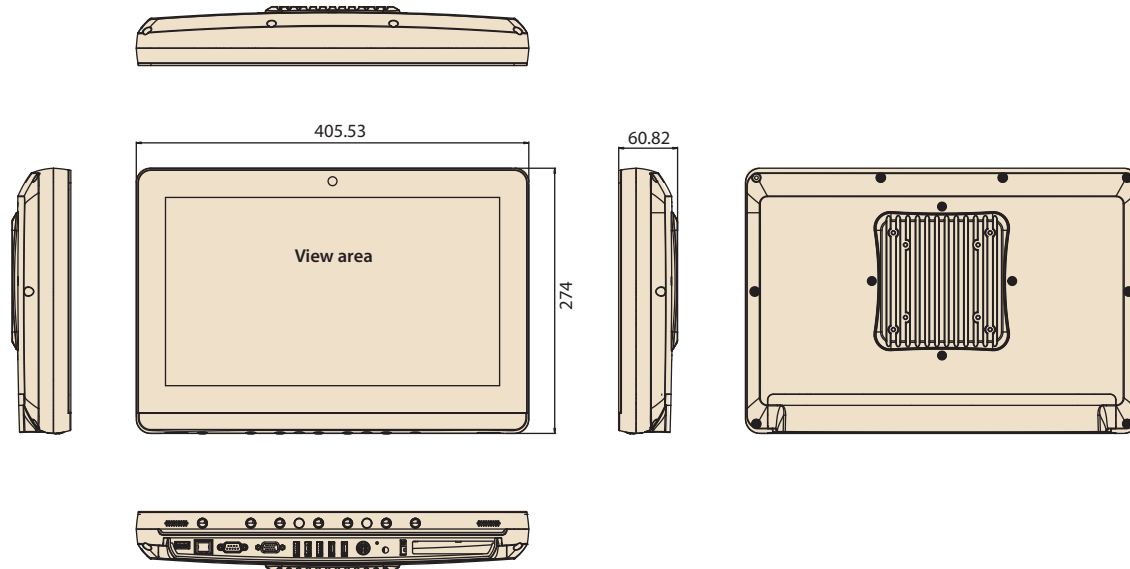


### Specifications

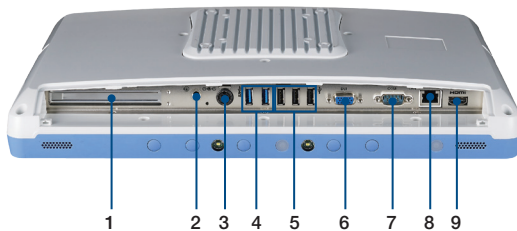
Computing System	CPU	Intel® Bay Trail J1900 Processor
	Memory	Up to 8GB DDR3L 1600MHz
	Graphics Controller	Intel HD Graphics
	Operating System	Windows 7, Windows 8 Embedded Standard, Windows 8 Industry Pro, Windows 10
Display	Display Size	15.6" TFT LCD (16:9)
	Type	VA
	Max Resolution	1366 x 768
	Max. Colors	16.7 M colors (6-bits+A-FRC)
	Pixel Pitch (mm)	0.252 x 0.252
	Viewing Angle	160°/160°
	Luminance	300 cd/m <sup>2</sup>
	Contrast Ratio	500:1
Expansion Slot	Mini PCIe	1 x mini PCIe (half-size)
	mSATA	(optional)
	PCIe	1 x PCIe (x1)
Storage	HDD	1 x 2.5" SATA, Support 5V/12V, Height up to 9.5mm, Easy installation
I/O Ports	Serial Ports	1 x RS-232/422/485 serial port
	USB Ports	2 x USB 3.0 ports 3 x USB 2.0 ports
	HDMI	1 x HDMI
	VGA Port	1 x VGA
	LAN	1 x Gigabit Ethernet (RJ45 isolation)
	Audio	2 x speakers (2 W)
Power Supply	AC Model	External Power Adapter
	Input Voltage	100 ~ 240 V <sub>AC</sub> , 1.2 ~ 0.5 A, 47 ~ 63 Hz
	Output Voltage	+18 V <sub>DC</sub> , 5.55 A max. (100 watts)
Optional Function	UPS Battery	3S2P 4200mAh, supports at least 0.5 hr backup operation
	WLAN	Integrated wireless 802.11 a/b/g/n
	Bluetooth	Bluetooth 4.0
	Smart Card Reader	Complies with ISO7816-1,2,3,T=1 and T=0 protocol
	RFID	Passive RFID / Active RFID
	Web cam	2MP Camera / 5MP Camera
Touch Screen	Type	P-cap Multi-touch or Res TS, True Flat Design
	Light transmission	P-cap 90%; Res. TS 75%
	Controller	USB interface
	Surface	P-cap. AR / Res. AG
IP Rating	Front Panel	IP65
	Entire Panel	IP43
Certification		CE, FCC Class B, UL60601-1, EN60601-1 approved
Environment	Temperature	0 ~ 40° C (Operating); -20 ~ 60° C (Storage/Transportation)
	Humidity	10 ~ 90% @ 40° C (Non-condensing) (Operating), 5 ~ 90% (Storage/Transportation)
	Shock Resistance	20G peak acceleration (11ms duration)
Physical Characteristics	Dimensions (W x H x D)	405.53 x 274 x 60.82 mm
	Weight	4.65 Kg (10.25 lb)

## Dimensions

Unit: mm

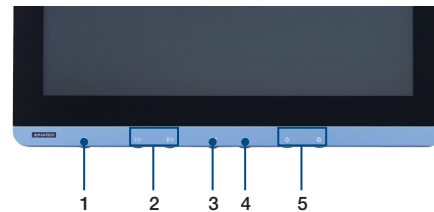


## I/O Ports



- 1. PCIe (x4) card slot
- 2. Equipotential Terminal Pin
- 3. Power DC-in
- 4. 2 x USB 3.0 ports
- 5. 3 x USB 2.0 ports
- 6. VGA port
- 7. COM port
- 8. Gigabit Ethernet Interfaces (RJ-45)
- 9. HDMI-out port

## Function Keys



- 1. Power
- 2. Volume Down/Up
- 3. Touchscreen Status Control
- 4. Read Light control
- 5. Brightness Decrease/Increase

## Ordering Information

Part Number	Description	HDD	RAM
POC-W152-C11D-ACE	POC-152 bare w/J1900/P-cap	-	4G
POC-W152-C11D-ATE	POC-152 bare w/J1900/Res.	-	4G

## Option Modules

Part Number	Description
POC-W152-BTTE	Battery module (4200mAh Li-ion battery)
POC-W152-WF0E	802.11 ac/a/b/g/n + Bluetooth 4.1

## Accessories

Part Number	Description
PDC-W215-Stand-H1E (black, 2-8kg)	PDC-W215 STAND_H1-741 type_2-8kg Black
1702002600	Power Cable (USA) 1.8 M
1702002605	Power Cable (Europe) 1.8 M