

Customer Information Sheet

DRAWING No.: H3192-XX

SHEET 2 OF 2

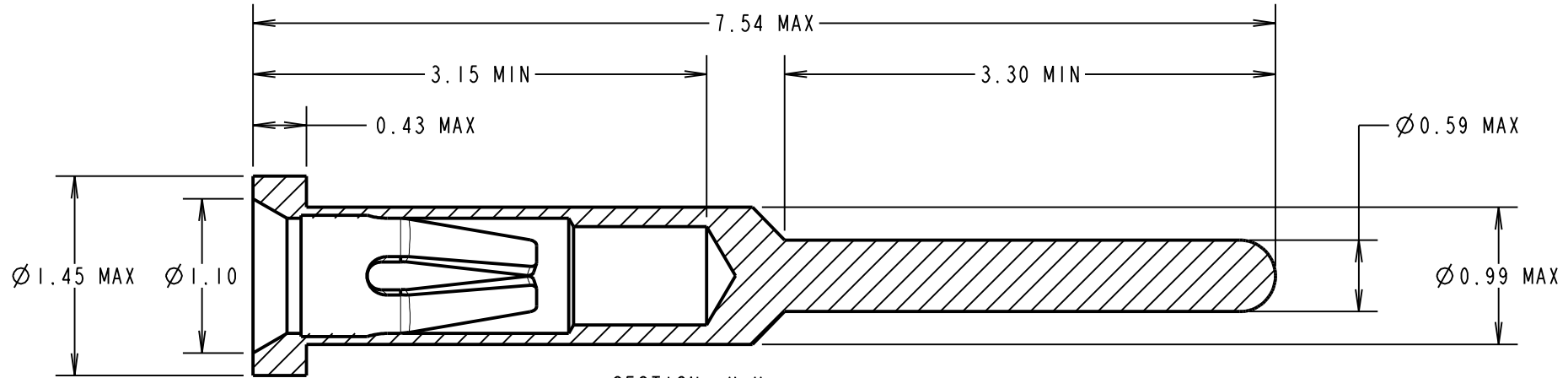
IF IN DOUBT - ASK



NOT TO SCALE

THIRD ANGLE PROJECTION

ALL DIMENSIONS IN mm



SECTION X-X

SPECIFICATION:

MATERIAL:

CONTACT SHELL = BRASS
 CONTACT CLIP = BERYLLIUM COPPER
 FINISH (NICKEL ALL OVER):
 01 = 4μ TIN SHELL, 0.15μ GOLD CLIP
 05 = 0.1μ GOLD SHELL, 0.15μ GOLD CLIP
 46 = 4μ 100% TIN SHELL, 2.4μ 100% TIN CLIP

ELECTRICAL:

CURRENT RATING AT 25°C = 2A MAX
 CURRENT RATING AT 85°C = 1.75A MAX
 CONTACT RESISTANCE = 25mΩ MAX

MECHANICAL:

INSERTION FORCE (∅0.5mm GAUGE) = 6N MAX, 2N MIN
 WITHDRAWAL FORCE (∅0.5mm GAUGE) = 1.5N MAX, 0.5N MIN
DURABILITY:

01, 05 FINISH = 500 OPERATIONS
 46 FINISH = 50 OPERATIONS

ENVIRONMENTAL:

OPERATING TEMPERATURE = -55°C TO +125°C
 FOR COMPLETE SPECIFICATION, SEE COMPONENT
 SPECIFICATION C006XX (LATEST ISSUE)

ORDER CODE:

H3192-XX

FINISH:

01 - GOLD CLIP, TIN SHELL
 05 - GOLD CLIP, GOLD SHELL
 46 - 100% TIN CLIP, 100% TIN SHELL

NOTES:

1. RECOMMENDED PIN LENGTH = 3.15mm MAX.
2. RECOMMENDED MOUNTING HOLE SIZE = ∅1.00-1.10mm.
3. RECOMMENDED PIN SIZE = ∅0.46-0.51mm.
4. CONTACT DEPTH = 2.30mm MAX

MSP	4	04.11.14	12661
NAME	ISS.	DATE	C/NOTE
APPROVED:		M.PERREN	
CHECKED:		M.PLESTED	
DRAWN:		M.PERREN	
CUSTOMER REF.:			
ASSEMBLY DRG:			

HARWIN

www.harwin.com
 technical@harwin.com

THIS DRAWING AND ANY
 INFORMATION OR DESCRIPTIVE
 MATTER SET OUT HEREON ARE
 CONFIDENTIAL AND COPYRIGHT
 PROPERTY OF THE HARWIN
 GROUP AND MUST NOT BE
 DISCLOSED, LOANED, COPIED
 OR USED FOR MANUFACTURING,
 TENDERING OR FOR ANY
 OTHER PURPOSE WITHOUT
 THEIR WRITTEN PERMISSION.

TOLERANCES

X. = ±1mm
 X.X = ±0.25mm
 X.XX = ±0.10mm
 X.XXX = ±0.01mm

ANGLES = ±5°
 UNLESS STATED

MATERIAL:

SEE ABOVE

FINISH: SEE ABOVE

S/AREA:

mm²

TITLE:

SUB-MINIATURE
 SOCKET ASSEMBLY

DRAWING NUMBER:

H3192-XX

SHT
 2
 OF
 2