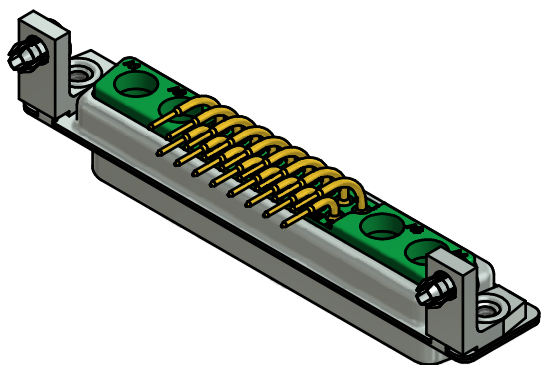
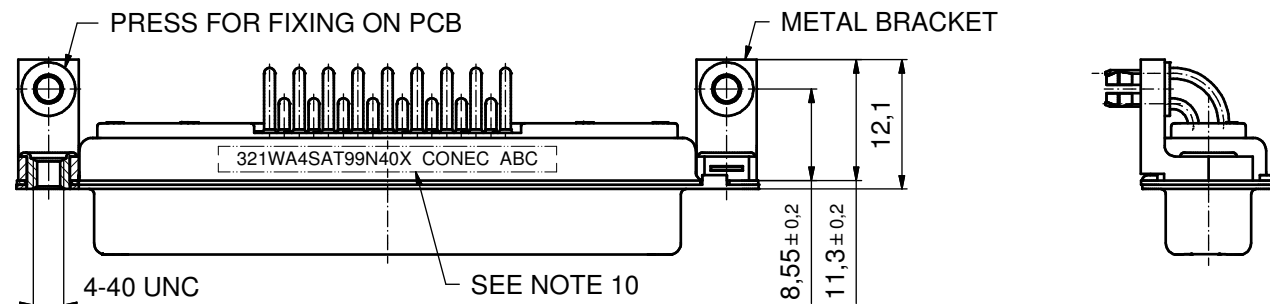
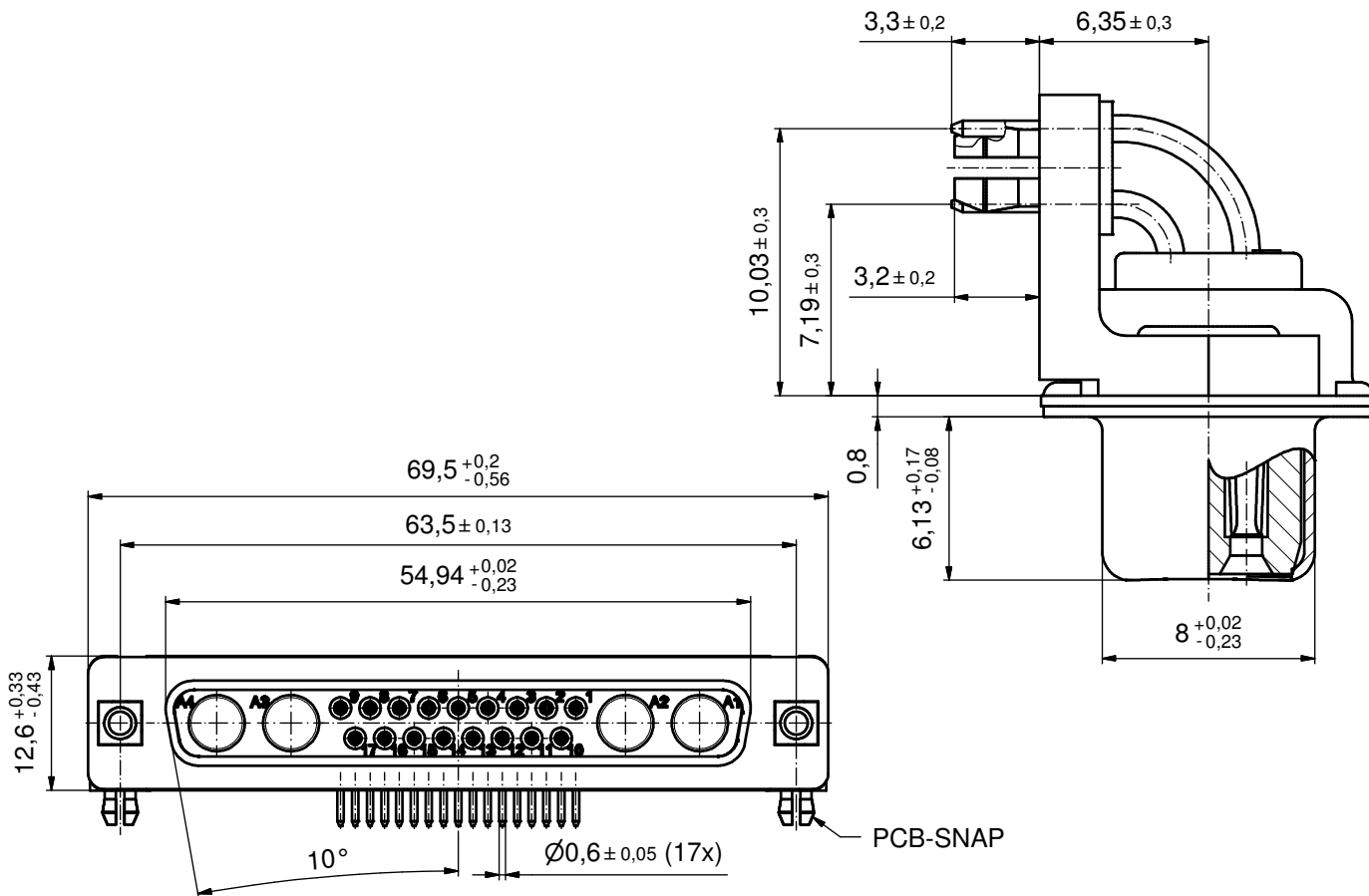


(5:1)



NOTES:

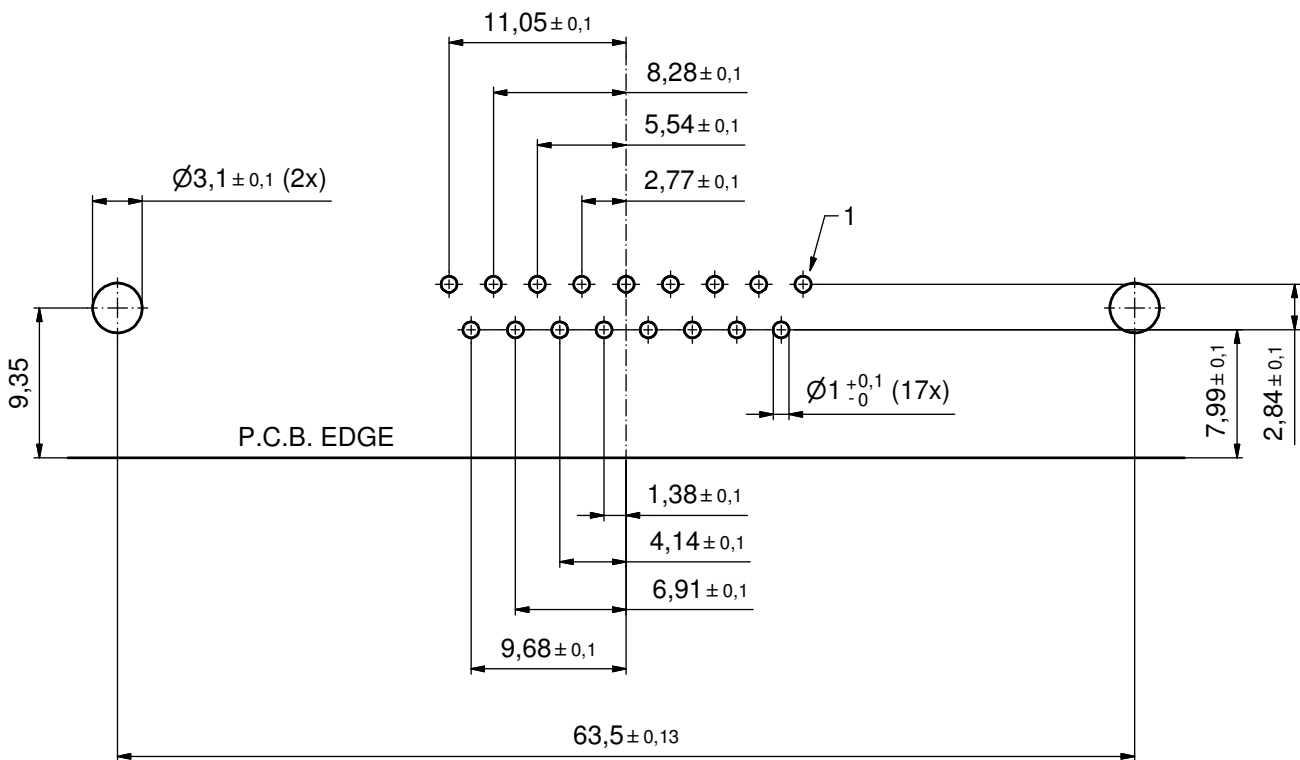
1. METALSHELLS: STEEL; min. 315µm TIN over 40-80µm NICKEL
2. INSULATORS: PBT GF UL 94 V-0; GREEN
3. SIGNAL CONTACTS: COPPER ALLOY
PLATING: GOLD FLASH over NICKEL
4. NO CONTACTS ON POS. A1 - A4
5. METAL BRACKETS: ZINC DIE CAST; 300µm COPPER/40-120µm NICKEL/120-200µm TIN
6. THREADED INSERTS: COPPER ALLOY; min. 200µm TIN over 80µm NICKEL
7. PCB-SNAPS: COPPER ALLOY; min. 200µm TIN over 80µm NICKEL
PCB-HOLE: $\varnothing 3,1 \pm 0,1$; PCB THICKNESS 1,6mm
8. P.C.B. HOLE DRILLINGS ON SHEET 2
9. MAXIMUM TORQUE VALUE FOR THREAD: 6 in.LB
10. CONNECTOR IS PART MARKED: 321WA4SAT99N40X CONEC ABC

Directive 2002/95/EC RoHS compliant

THIS DRAWING MAY NOT BE COPIED OR REPRODUCED IN ANY WAY, AND MAY NOT BE PASSED ON TO A THIRD PARTY WITHOUT WRITTEN PERMISSION. OWNERSHIP AND COPYRIGHT OF CONEC GmbH DO NOT ALTER CAD DRAWING BY HAND	tolerance		dim. in mm		scale:	2:1 (5:1)	
					material:	SEE NOTES	
	date	name		title:			
	drawn	04.01.13	Henneboel		D-SUB COMB. FEMALE 90°		
	appd.	04.01.13	Koch		21WA4S		
	norm			with threaded insert, metal bracket and snap			
	d-old			dwg no:			
	a	Original			13K1A4144		
	rev.	description	date	name	part no: 321WA4SAT99N40X		
					DIN-A3 sh: 1/2		



P.C.B. HOLE DRILLING
(P.C.B. TOP SIDE)



THIS DRAWING MAY NOT BE COPIED OR REPRODUCED IN ANY WAY, AND MAY NOT BE PASSED ON TO A THIRD PARTY WITHOUT WRITTEN PERMISSION. OWNERSHIP AND COPYRIGHT OF CONEC GmbH DO NOT ALTER CAD DRAWING BY HAND					tolerance		scale: 3:1	
					dim. in mm		material: SEE SHEET 1	
					date	name	title: P.C.B. HOLE DRILLINGS D-SUB COMBINATION FEMALE 90° 21WA4S with threaded insert, metal bracket and snap	
					drawn 04.01.13	Henneboel		
					appd. 04.01.13	Koch		
					norm			
					d-old		dwg no:	
	a	Original			CONEC [®]		13K1A4144	DIN-A3
	rev.	description	date	name			part no: SEE SHEET 1	sh: 2/2