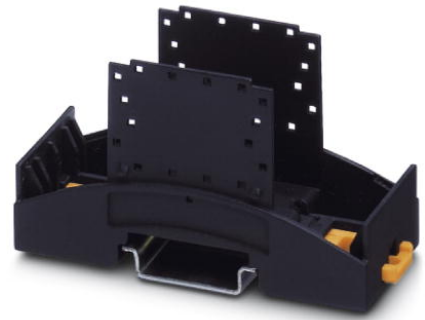



# BC 35,6 UT HBUS BK

Order No.: 2896254

<http://eshop.phoenixcontact.de/phoenix/treeViewClick.do?UID=2896254>

Lower part for installation housing BC 35,6...

**Commercial data**

GTIN (EAN)	 4 046356 096706
sales group	F061
Pack	10 pcs.
Customs tariff	85369010
Catalog page information	Page 554 (CC-2009)

**Product notes**WEEE/RoHS-compliant since:  
10/04/2005

<http://www.download.phoenixcontact.com>  
Please note that the data given here has been taken from the online catalog. For comprehensive information and data, please refer to the user documentation. The General Terms and Conditions of Use apply to Internet downloads.

**Technical data****General**

Housing type	Installation component housing
Housing material	polycarbonate
Color	black

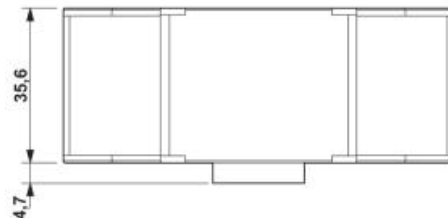
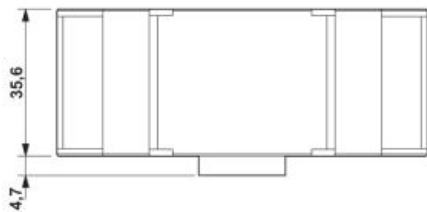
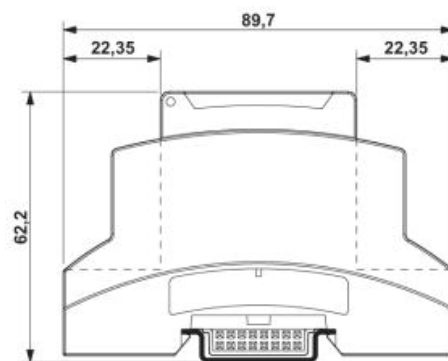
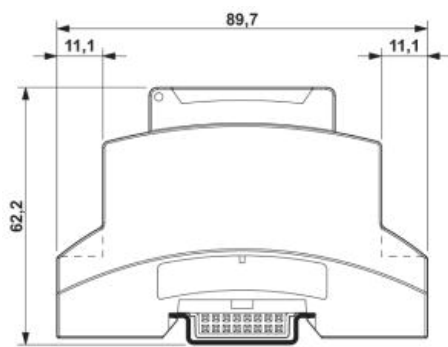
**Dimensions / positions**

Length	89.7 mm
--------	---------

Width	35.6 mm
<b>Technical data</b>	
Ambient temperature (operation)	-40 °C ... 125 °C
Inflammability class acc. to UL 94	V0
Power dissipation at 20°C in the horizontal mounting position	4.78 W

**Diagrams/Drawings**

Dimensioned drawing



The dimensional drawing shows the item along with the lower part of the housing (terminal installation depth 11.1 mm) and the housing cover

The dimensional drawing shows the item along with the lower part of the housing (terminal installation depth 22.35 mm) and the housing cover

**Address**

PHOENIX CONTACT Inc., USA  
586 Fulling Mill Road  
Middletown, PA 17057, USA  
Phone (800) 888-7388  
Fax (717) 944-1625  
<http://www.phoenixcon.com>



© 2010 Phoenix Contact  
Technical modifications reserved;