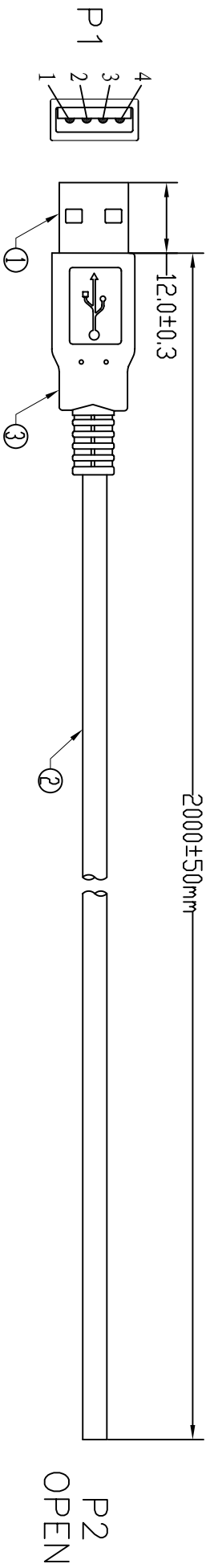
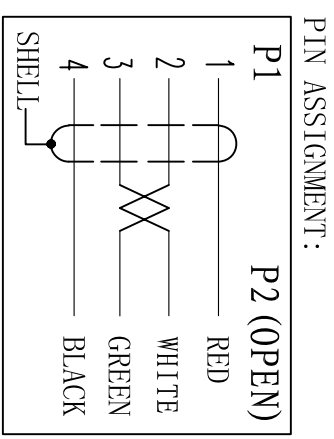
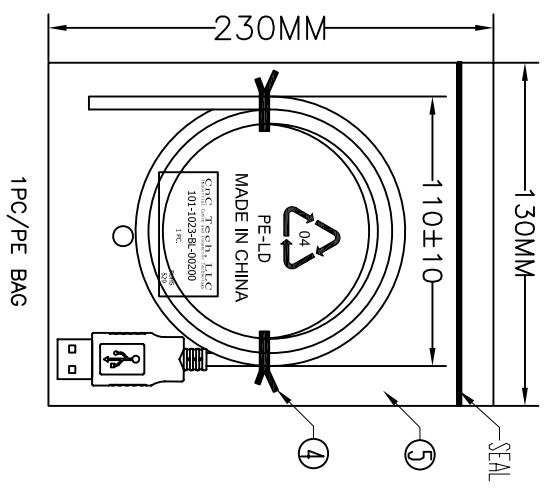


UNIT:mm



CABLE WHITE PRINT
 USB CABLE E189529 **RU** AWM 2725 28AWG/1PR AND
 24AWG/2C 80°C 30V VW-1

Electrical test:
 1. 100% short open, miswire test
 2. Conduct resistance: 2 Ohm(max)
 3. Insulation resistance: 5Mohm(min)
 4. dielectric test: DC 300V



⑥	PE BAG	1/10	CLEAR SIZE:280*330*0.05mm PRINT BLACK"MADE IN CHINA"+ "10PCS".
⑤	PE BAG	1	CLEAR SIZE:130*230*0.05mm PRINT BLACK"MADE IN CHINA"+ "1PC".
④	TIE	2	BLACK L=100mm
③	OUT JACKET	6g	BLACK PVC-40P (MOULD NO.:WM-40)
②	CABLE	1	BLACK USB1.1 UL2725 28#/1P+24#/2C+AB 0D:4.7mm L=2000±10
①	CONN	1	USB A MALE NICKEL PIN G/F 4PCS TYPE
NO.	NAME	Q'TY	SPECIFICATION

CNC Tech, LLC				
Industrial Cable and Connector Technology				
DRAWN	ZHONGHS	DRAWING NO		
CHECKED		CUSTOMER		
APPROVAL		ITEM NO.	101-1023-BL-00200	
DECIDED		DATE	2012-02-14	
VERSIONS/EDITED	A/0	PROJECTION		

4 3 2 1