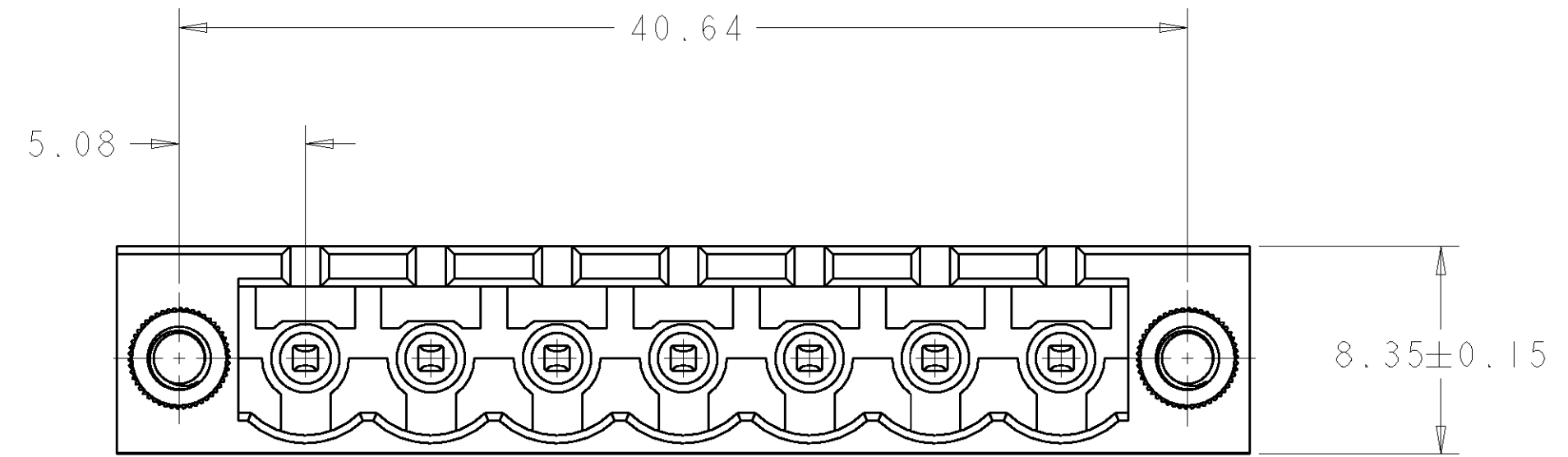
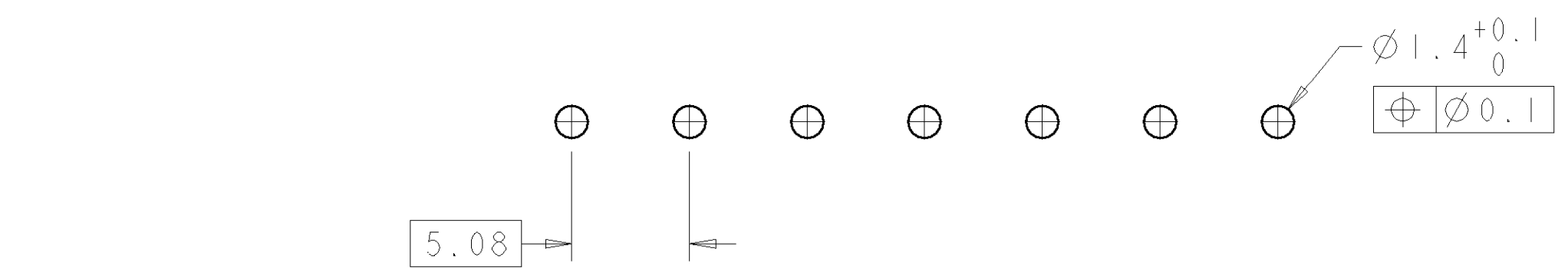
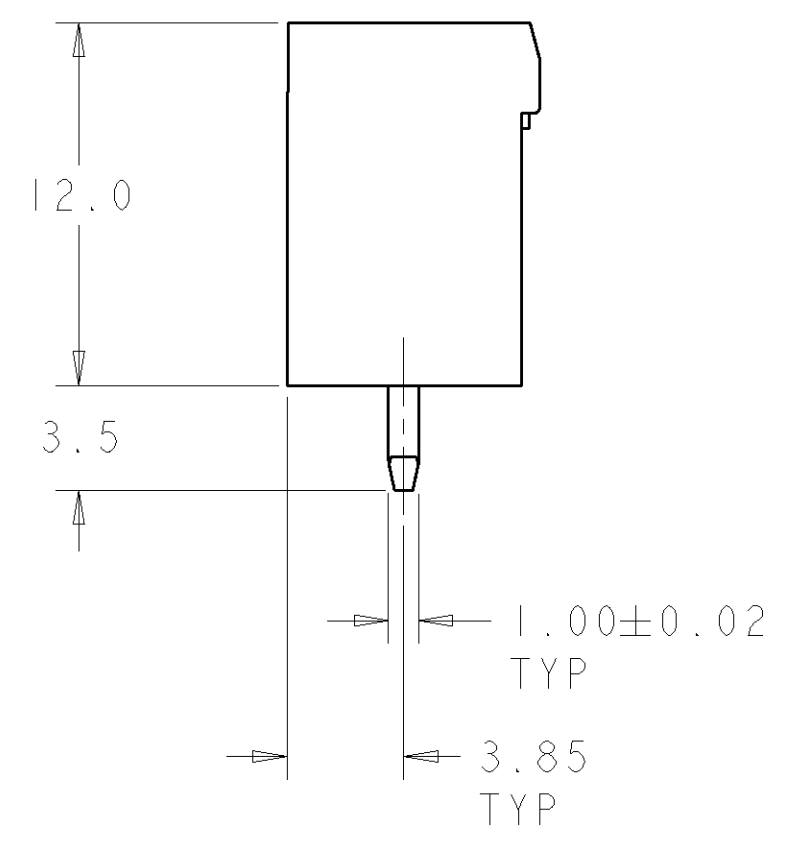
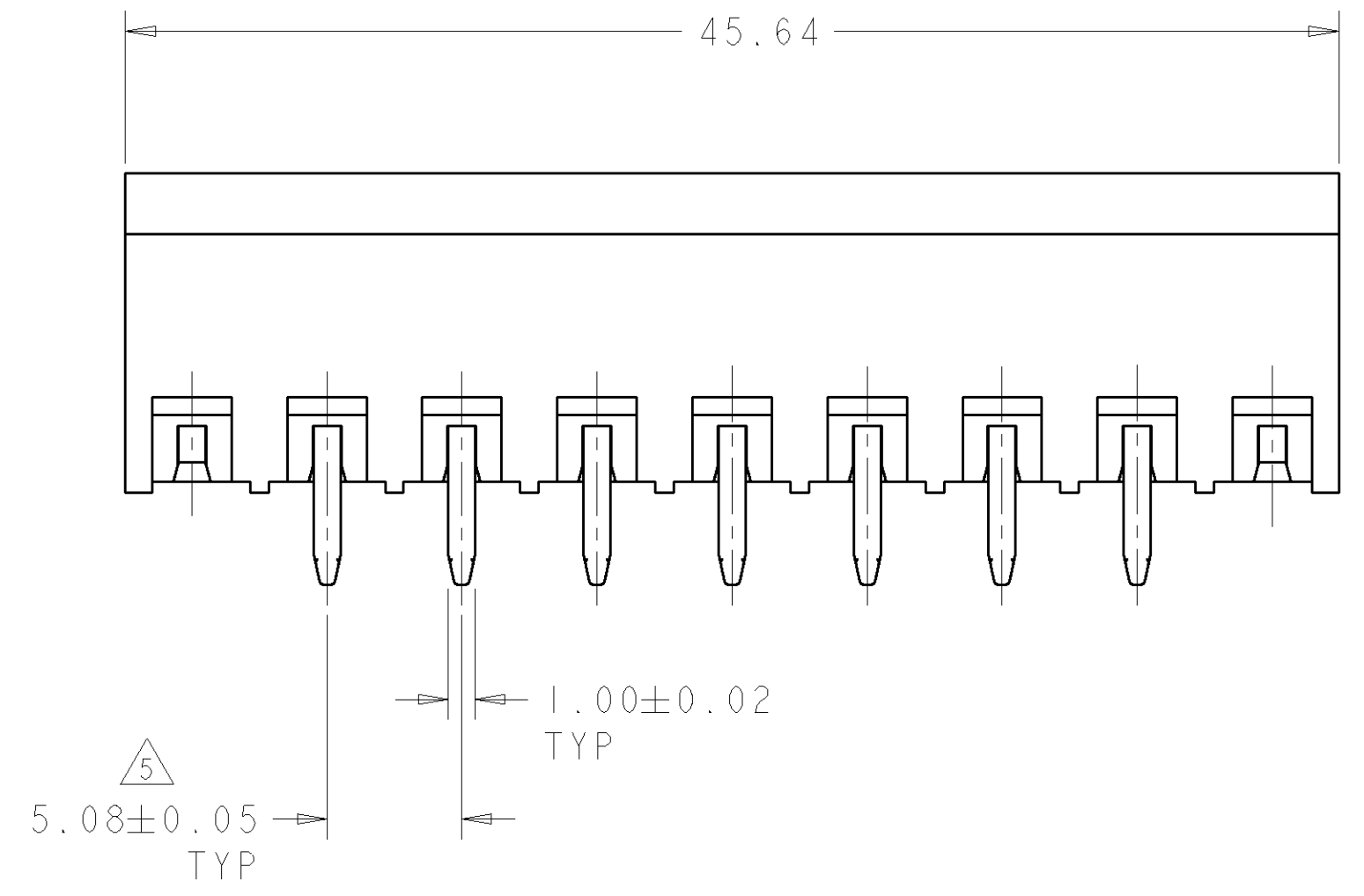


THIS DRAWING IS UNPUBLISHED. RELEASED FOR PUBLICATION 20
 © COPYRIGHT 20 BY TYCO ELECTRONICS CORPORATION. ALL RIGHTS RESERVED.

LOC	DIST	REVISIONS			
P	LTR	DESCRIPTION	DATE	DWN	APVD
		0 PRELIMINARY	-	-	-
		A RELEASED EC 063B-0666-03	15AUG2003	SW	CR



- △ MATERIALS AND FINISH:
 HOUSING: PA 6-6, UL 94V-0, COLOR: GRAY.
 TERMINAL: PHOSPHOR BRONZE, TIN PLATED.
- 2. SUITABLE FOR 1.6 - 2.4mm PC BOARD THICKNESS.
- 3. RECOGNIZED UNDER THE COMPONENT PROGRAM OF UNDERWRITERS LABORATORIES INC. FILE No. E60677.
- 4. IMQ CERTIFICATE WITH SURVEILLANCE ON CONFORMITY WITH IEC 998-1/998-2-1.
- △ NOT CUMULATIVE TOLERANCE.



RECOMMENDED PC BOARD LAYOUT

7	1546708-7
NO OF POSN	PART NUMBER

THIS DRAWING IS A CONTROLLED DOCUMENT FOR TYCO ELECTRONICS CORPORATION. IT IS SUBJECT TO CHANGE AND THE CONTROLLING ENGINEERING ORGANIZATION SHOULD BE CONTACTED FOR THE LATEST REVISION.		DWN S. WELDON 14JUL2003	BUCHANAN Tyco Electronics Harrisburg, PA 17105-3608
DIMENSIONS: mm		CHK C. RICHARD 14JUL2003	
TOLERANCES UNLESS OTHERWISE SPECIFIED:		APVD C. RICHARD 14JUL2003	
0 PLC ± 1 PLC ±0.3 2 PLC ±0.25 3 PLC ±0.000 4 PLC ±0.000 ± ANGLES ± FINISH		NAME TERMINAL BLOCK HEADER ASSEMBLY, VERTICAL, WITH LOCKING SCREW, 5.08mm PITCH PRODUCT SPEC - APPLICATION SPEC - WEIGHT -	
MATERIAL	△ -	CUSTOMER DRAWING	SIZE A2 CAGE CODE 00779 DRAWING NO. 1546708 RESTRICTED TO -
SCALE 4:1			SHEET 1 OF 1 REV A