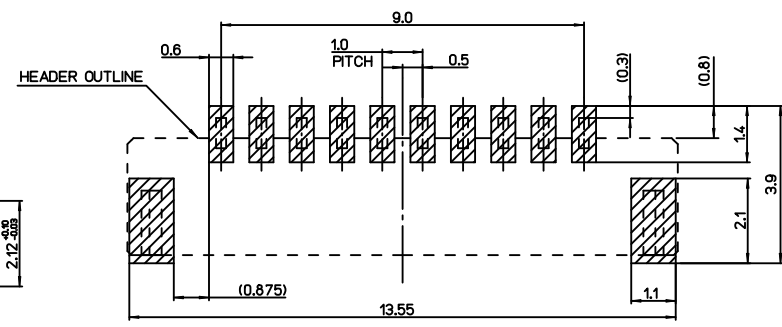
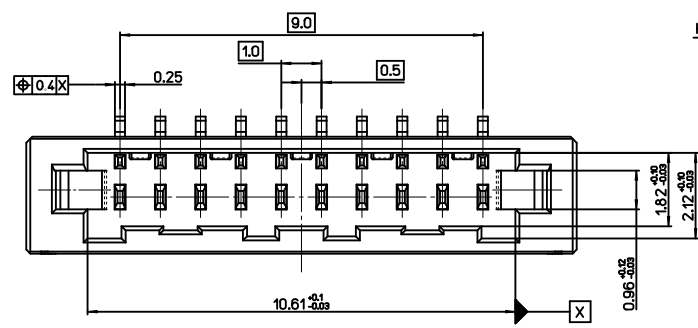
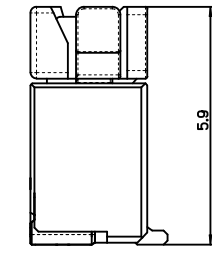


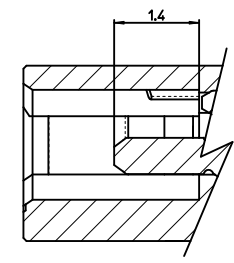
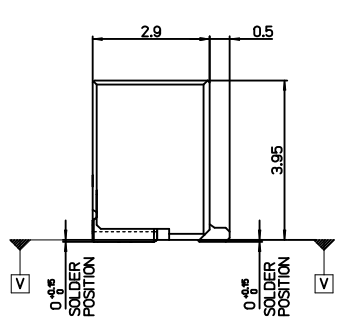
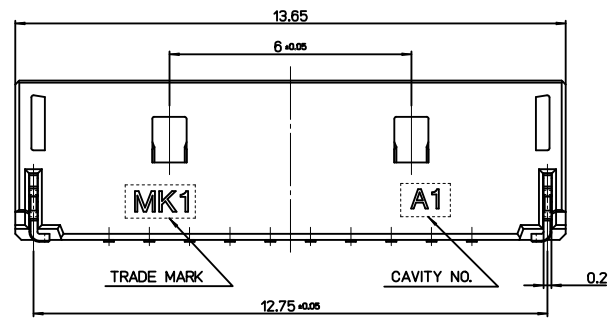
10 9 8 7 6 5 4 3 2 1



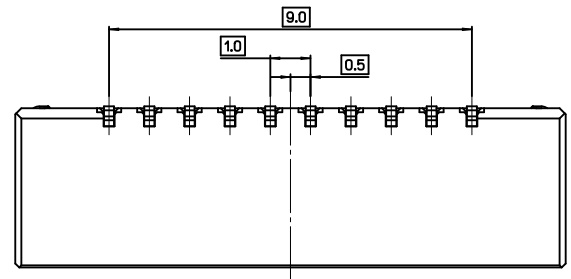
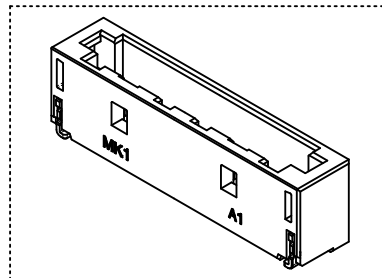
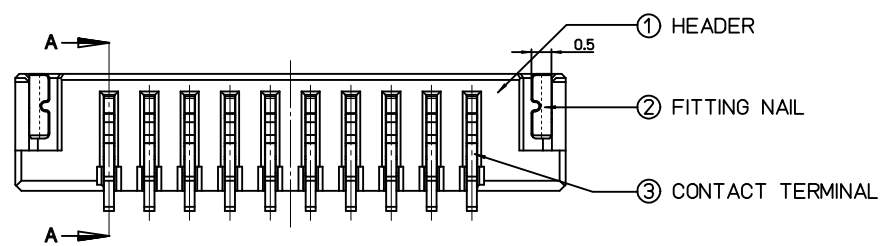
RECOMMENDED PCB LAY OUT  
[GENERAL TOLERANCE ±0.05]



MATED CONDITION(REF.)



SECTION A-A



- NOTES.
- MATED WITH : 104142-1000
  - MATERIALS.
    - HEADER : LCP E130i, GLASS FILLED, UL 94V-0 HALOGEN FREE, COLOR OF NATURAL
    - CONTACT TERMINAL : PHOSPHOR BRONZE, 0.25mm Thickness
    - FITTING NAIL : PHOSPHOR BRONZE, 0.2mm Thickness
  - FINISHES.
    - CONTACT TERMINAL : PURE-TIN PLATING ON OVERALL. THICKNESS : 3.0µm~5.0µm UNDER PLATING Ni OVERALL. THICKNESS : 1.25µm~3.75µm
    - FITTING NAIL : PURE-TIN PLATING ON OVERALL. THICKNESS : 3.0µm~5.0µm UNDER PLATING Ni OVERALL. THICKNESS : 1.25µm~3.75µm
  - COPLANALITY OF SOLDER TAIL (PEAK TEMP. : 260°C) BEFORE & AFTER REFLOW : 0.08MAX

ORDER NUMBER	104141-1010
--------------	-------------

DESIGN UNITS	METRIC	THIRD ANGLE PROJECTION
--------------	--------	------------------------

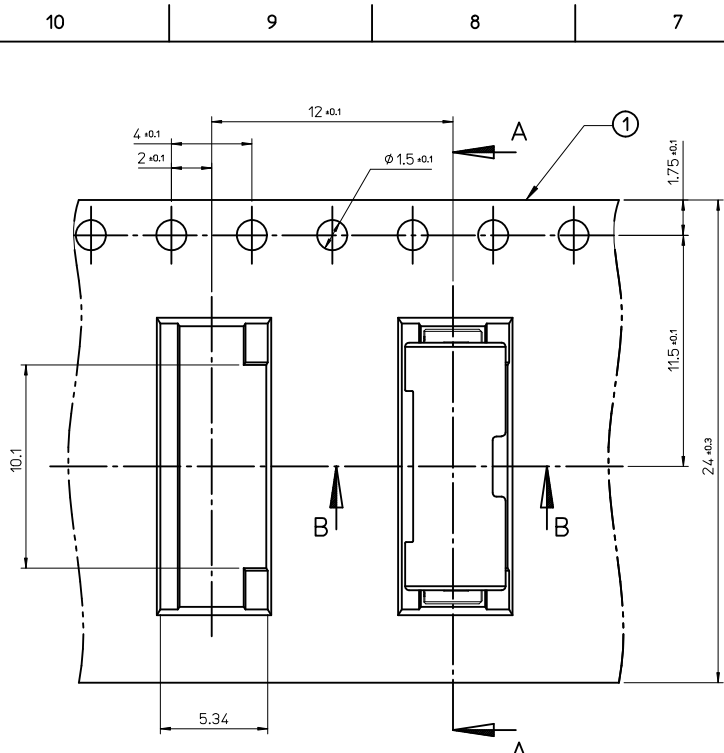
1.0MM W-T-B CONN.  
HEADER ASS'Y-10P(S/T)

**molex** MOLEX INCORPORATED

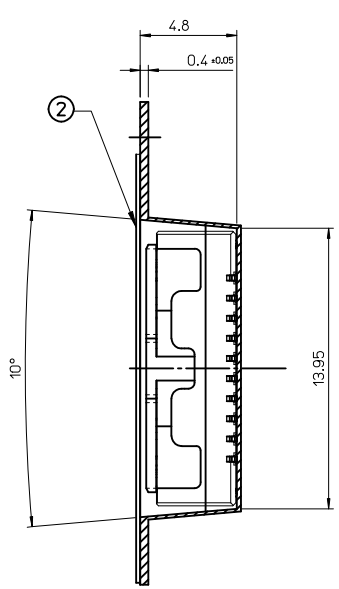
MATERIAL NO.	1041411010	DOCUMENT NO.	SD-104141-001	SHEET NO.	1 OF 01
--------------	------------	--------------	---------------	-----------	---------

NEW RELEASED EC NO: KOR2012-0057 DRWN: CBCHIN 2011/12/19 CHKD: SHCHU 2011/12/19 APPR: YUNSIKKIM 2011/12/22	QUALITY SYMBOLS ▽=0 ◻=0	GENERAL TOLERANCES (UNLESS SPECIFIED)		DIMENSION STYLE MM ONLY		SCALE 8:1	DRAFT WHERE APPLICABLE MUST REMAIN WITHIN DIMENSIONS	
			mm	INCH	DRAWN BY CBCHIN	DATE 2011/12/19		TITLE
		4 PLACES	± ---	± ---	CHECKED BY SHCHU	DATE 2011/12/19		
		3 PLACES	± ---	± ---	APPROVED BY YUNSIKKIM	DATE 2011/12/22		
			ANGULAR ± 1 °					

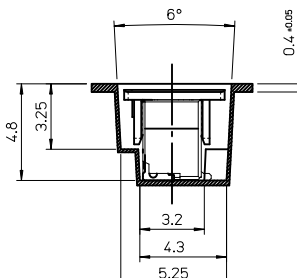
9 8 7 6 5 4 3 2 1



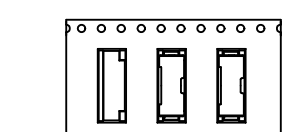
PULL OUT DIRECTION



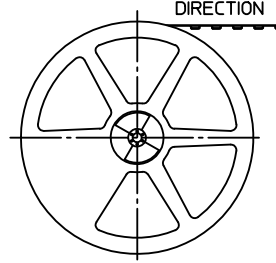
SECTION A-A



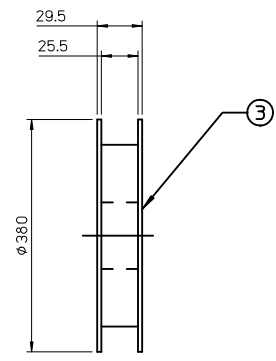
SECTION B-B



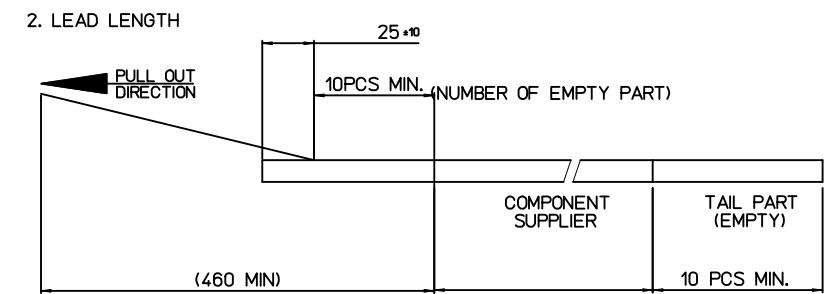
PULL OUT DIRECTION



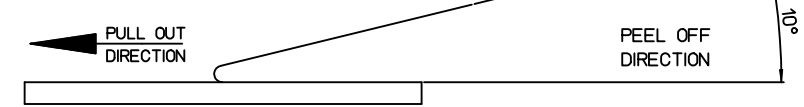
PLASTIC BOBBIN



NOTES  
1. QUANTITY OF CONNECTORS : 1500 PCS/REEL



3. PEELING OFF FORCE OF COVER TAPE : 0.1N~0.59N(10.2GF~60GF)  
(PEELING DIRECTION AS SHOW IN FOLLOW FIG.)  
PEELING OFF SPEED : 300mm/Min.(Ref.)



4. FLASH IN ANY PORTION SHOULD BE LESS THAN 0.20mm MAX.  
5. UNLESS OTHERWISE SPECIFIED INNER R0.2 MAX  
6. DRAFT ANGLE 3°MAX

3	PLASTIC BOBBIN	HI P.S	WHITE
2	COVER TAPE	PET ANTISTATIC	21.3m
1	CARRIER (EMBOSSED) TAPE	PET ANTISTATIC	
NO.	DESCRIPTION	MATERIAL	REMARK

ORDER NUMBER	104141-1010
DESIGN UNITS	METRIC
THIRD ANGLE PROJECTION	

NEW RELEASED	EC NO: KOR2012-0057
DRWN:CBCHIN	2011/12/19
CHKD:SHCHU	2011/12/19
APPR:YUNSIKKIM	2011/12/22
REV	DESCRIPTION
A	

QUALITY SYMBOLS	▽=0	▽=0
GENERAL TOLERANCES (UNLESS SPECIFIED)	mm	INCH
4 PLACES	± ---	± ---
3 PLACES	± ---	± ---
2 PLACES	± 0.25	± ---
1 PLACE	± 0.25	± ---
ANGULAR ± 1°		
DRAFT WHERE APPLICABLE MUST REMAIN WITHIN DIMENSIONS		

DIMENSION STYLE		SCALE
MM ONLY		1:1
DRAWN BY	DATE	TITLE
CBCHIN	2011/12/19	EMBOSSED PACKAGE
CHECKED BY	DATE	1.0MM W-T-B CONN.
SHCHU	2011/12/19	HEADER ASS'Y-10P(S/T)
APPROVED BY	DATE	
YUNSIKKIM	2011/12/22	
MATERIAL NO.	DOCUMENT NO.	
1041411010	SD-104141-002	

MOLEX INCORPORATED		SHEET NO.
		1 OF 1
THIS DRAWING CONTAINS INFORMATION THAT IS PROPRIETARY TO MOLEX INCORPORATED AND SHOULD NOT BE USED WITHOUT WRITTEN PERMISSION		