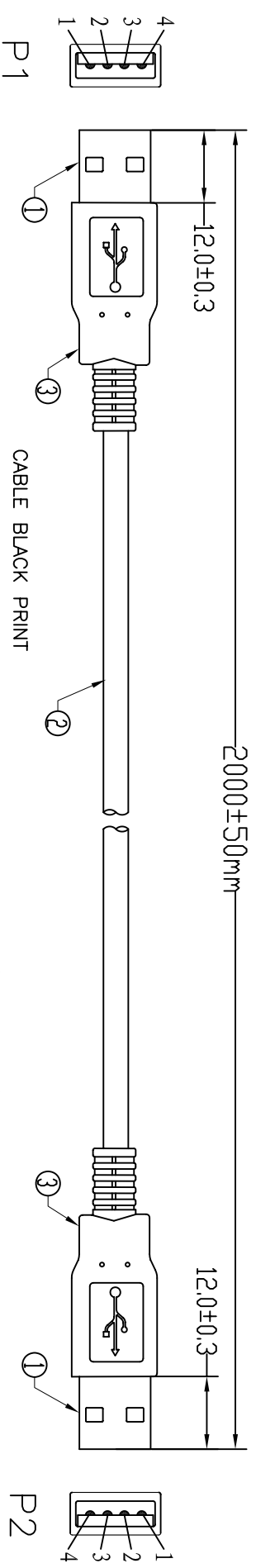
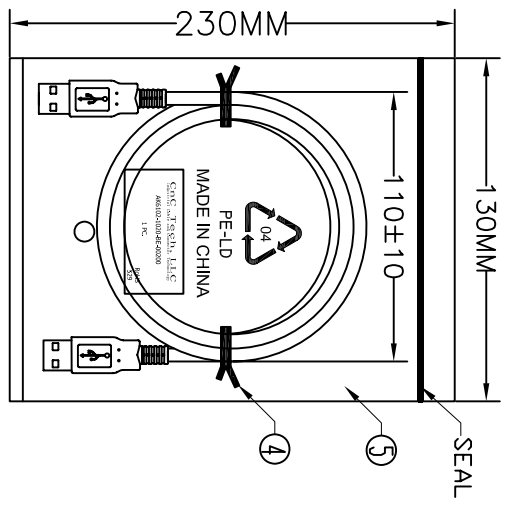
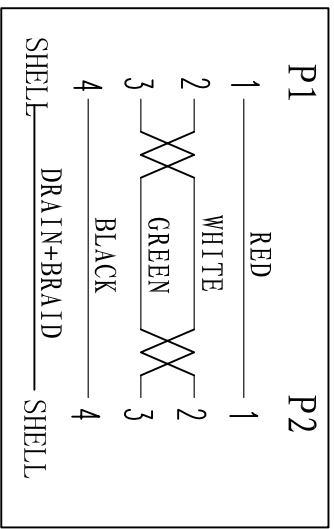


UNIT:mm



CABLE BLACK PRINT
 HI-SPEED USB Revision 2.0 SHIELDED 28AWG/1P+24AWG/2C
 E189529 **RU** AWM STYLE 2725 80°C 30V VW-1 VEGA TECH

PIN ASSIGNMENT:



Electrical test:
 1. 100% short, open, miswire test
 2. Conduct resistance: 2 Ohm(max)
 3. Insulation resistance: 5Mohm(min)
 4. dielectric test: DC 300V

⑥	PE BAG	1/10	CLEAR SIZE:280*330*0.05mm PRINT BLACK"MADE IN CHINA"+ "10PCS".
⑤	PE BAG	1	CLEAR SIZE:130*230*0.05mm PRINT BLACK"MADE IN CHINA"+ "1PC".
④	TIE	2	WHITE L=100mm
③	OUT JACKET	12g	BEIGE(V-29#) PVC-40P (MOULD NO:WM-40)
②	CABLE	1	BEIGE(V-29#) USB2.0 UL2725 28AWG/1P+26AWG/2C+AEB OD:4.7mm L=2000±10
①	CONN	2set	USB A MALE NICKEL PIN G/F 4PCS TYPE
NO.	NAME	Q'TY	SPECIFICATION

CNC Tech, LLC
 Industrial Cable and Connector Technology

DRAWN	ZHONGHS	DRAWING NO	
CHECKED		CUSTOMER	
APPROVAL		ITEM NO.	102-1020-BE-00200
DECIDED		DATE	2012-02-14
VERSIONS/EDITED	A/0	PROJECTION	