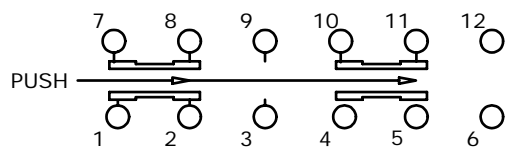
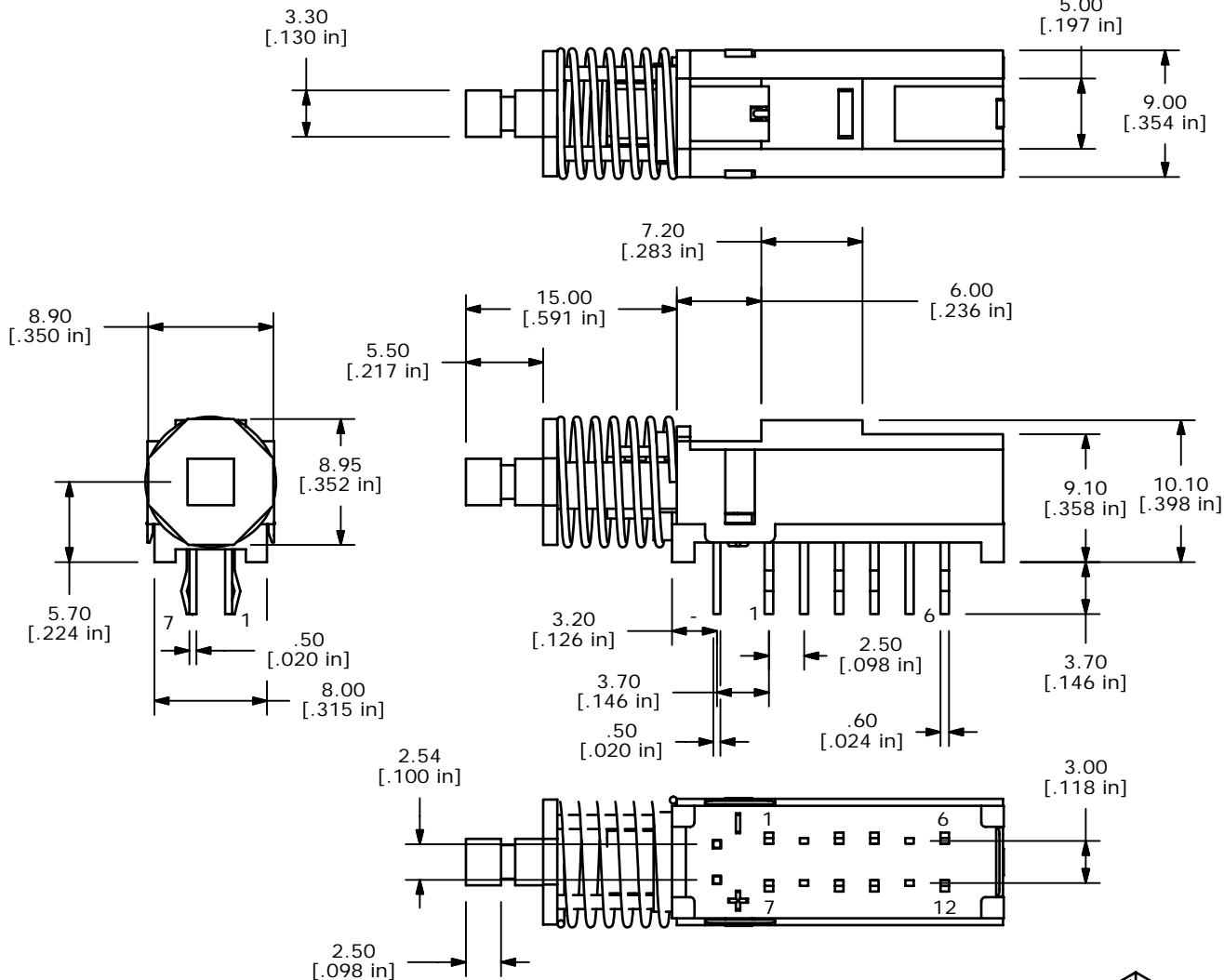


PCB LAYOUT B



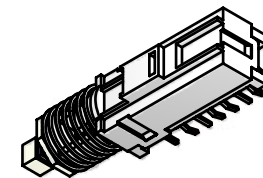
CIRCUIT DIAGRAM B



NOTES:

1. ALL DIMENSIONS IN MM [INCH]
2. GENERAL TOLERANCE: x.x=±0.4mm
x.xx=±0.25mm
3. RATING: DC 30V, 0.3A
4. OPERATING FORCE: 200±100gf
5. TRAVEL: 3.3mm FULL TRAVEL B
6. LIFE CYCLES: 10,000 CYCLES
7. OPERATING TEMPERATURE: -20°C TO 70°C
8. CONTACT RESISTANCE: 20mΩ MAX. B
9. INSULATION RESISTANCE: 100MΩ MIN@ 500VDC.
- ▲ 10. LED COLOR: RED
11. ▲ DENOTES CRITICAL PARAMETER.
12. 2002/95/EC (RoHS) COMPLIANT.

▲ LED SPECS	UNITS	RED
FORWARD CURRENT	mA	20
FORWARD VOLTAGE @20mA	V	1.7 Typ-2.6 Max
LUMINOUS INTENSITY @ 10mA	MCD	1.6-2.6



B	19529	DRAWING UPDATE / CLEAN UP	12/14/10	BGL
A	18805	New-Release	1/20/10	rc
REV	PCR NO	DESCRIPTION	DATE	BY

TITLE WBL4UOARQ				
SCALE	DATE	DR	DWG	REV
2	1/20/2010	rc	B400002	B

THE INFORMATION CONTAINED IN THIS DOCUMENT IS PROPRIETARY TO E-SWITCH AND IS NOT TO BE COPIED OR TRANSFERRED