

THE INFORMATION CONTAINED HEREIN IS CONSIDERED "PROPRIETARY" TO BEL FUSE INC. AND SHALL NOT BE COPIED, REPRODUCED OR DISCLOSED WITHOUT THE WRITTEN APPROVAL OF BEL FUSE INC.

PRELIMINARY



SCHMATIC

ELECTRICAL CHARACTERISTICS @ 25°C

URNS RATIO

TX 1CT : 1  
RX 1CT : 1

CL @ 100kHz/100mVRMS

8mA DC BIAS 350µH MIN.

INS. LOSS

1MHz TO 100MHz -1.0 dB MAX

RET. LOSS (MIN)

1MHz-30MHz -18 dB  
30MHz-60MHz  $-18+20\text{LOG}(F/30\text{MHz})$  dB  
60MHz-80MHz -12 dB

CROSS TALK (TX - RX)

500kHz-100MHz -35 dB MIN

CM TO CM REJ

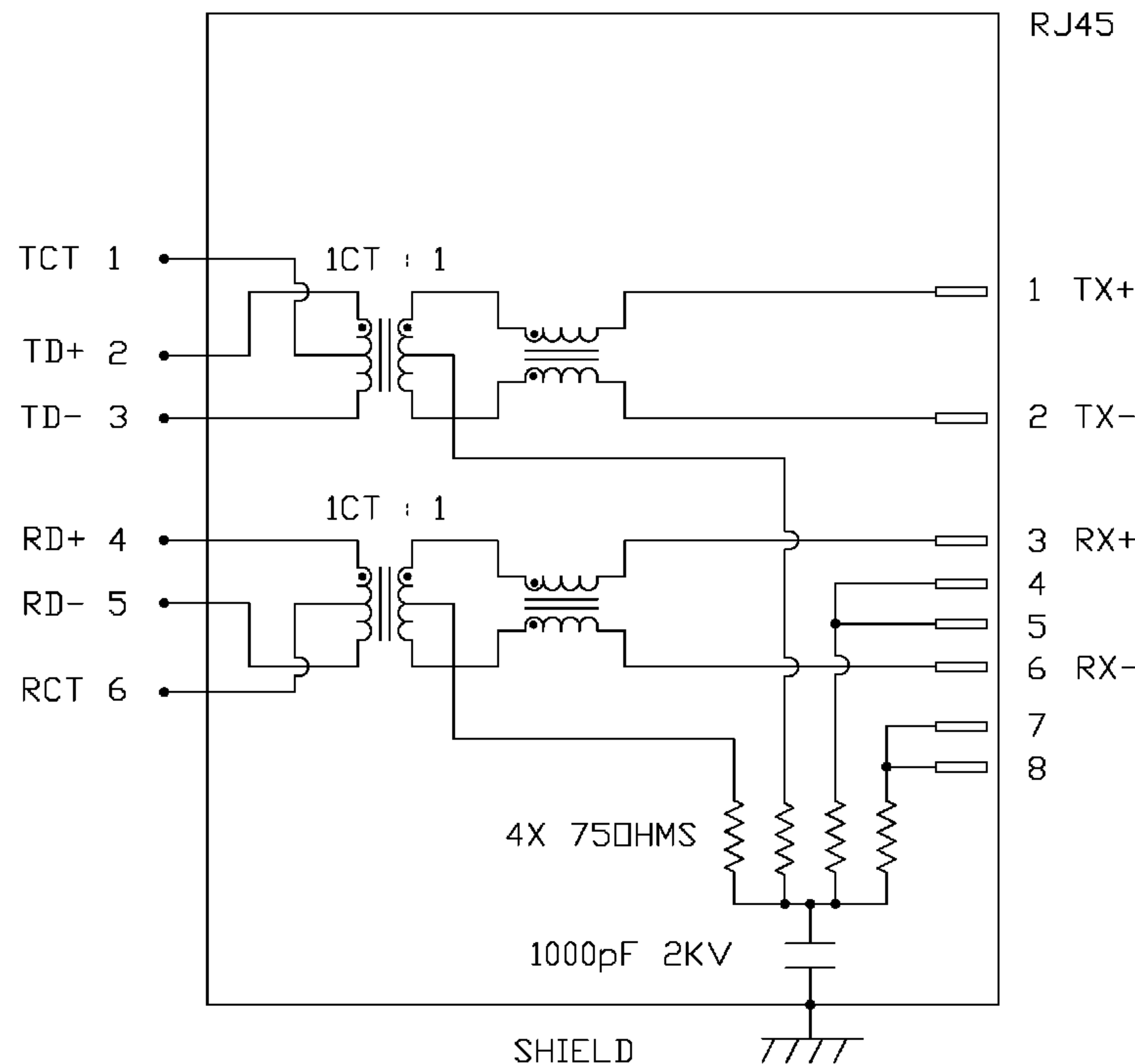
100kHz-100MHz -30 dB MIN

CM TO DM REJ

100kHz-100MHz -35 dB MIN

HIPOT (Isolation Voltage):

1500 Vrms or 2250VDC

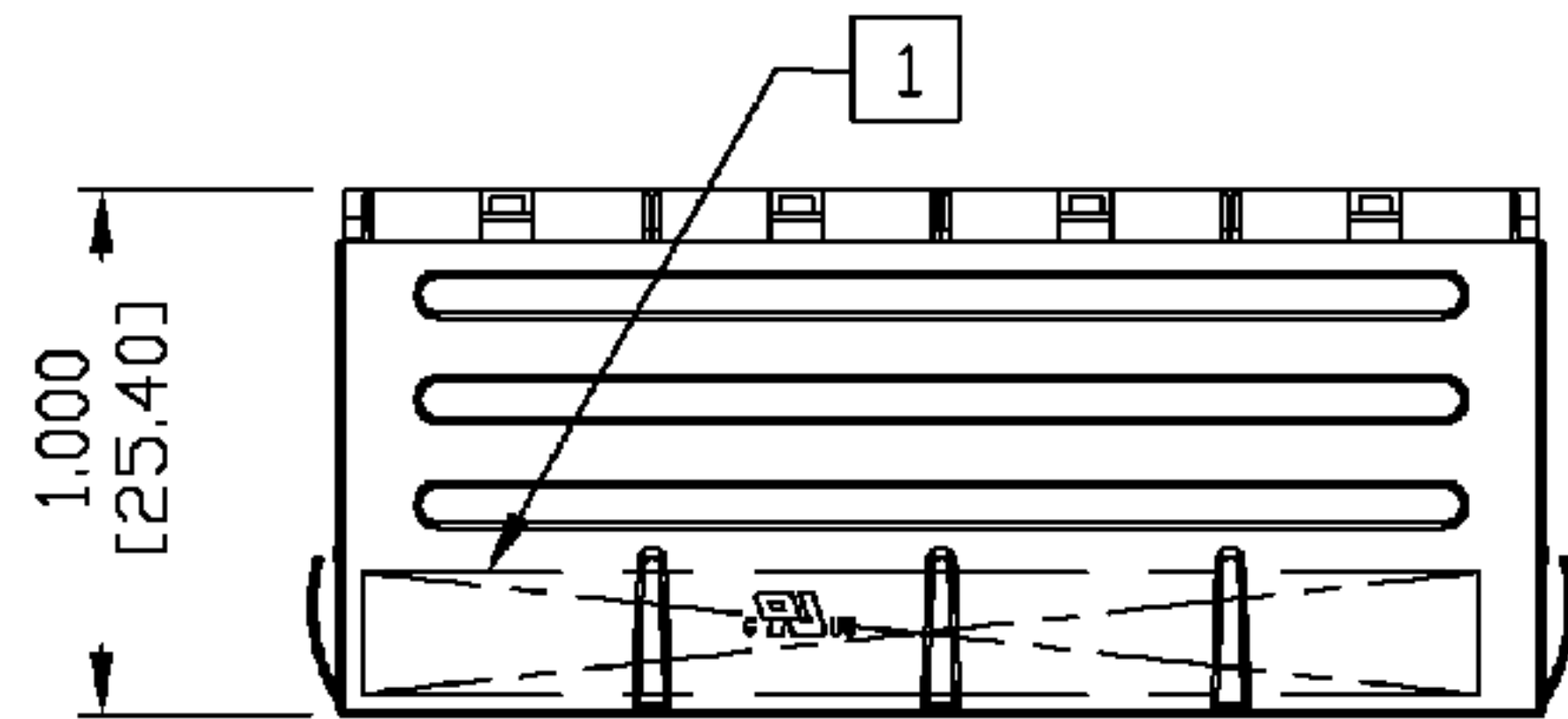


ORIGINATED BY CHUNG	DATE 04-05-06	TITLE 1X4 MagJack® FOR MDIX	PART NO. / DRAWING NO. 08B11X4T36-F	STANDARD DIM. TOL. IN INCH	[ ] METRIC DIM. AS REFERENCE	<p>COMPONENTS FOR A CONNECTED PLANET</p>	
DRAWN BY DE	DATE 04-05-06	08B1-1X4T-36-F	FILE NAME 08B11X4T36-FPA.DWG	.X	UNIT : INCH [mm]		REV. : PA
				.XX	SCALE : N/A		SIZE : A4
				.XXX			PAGE : 2

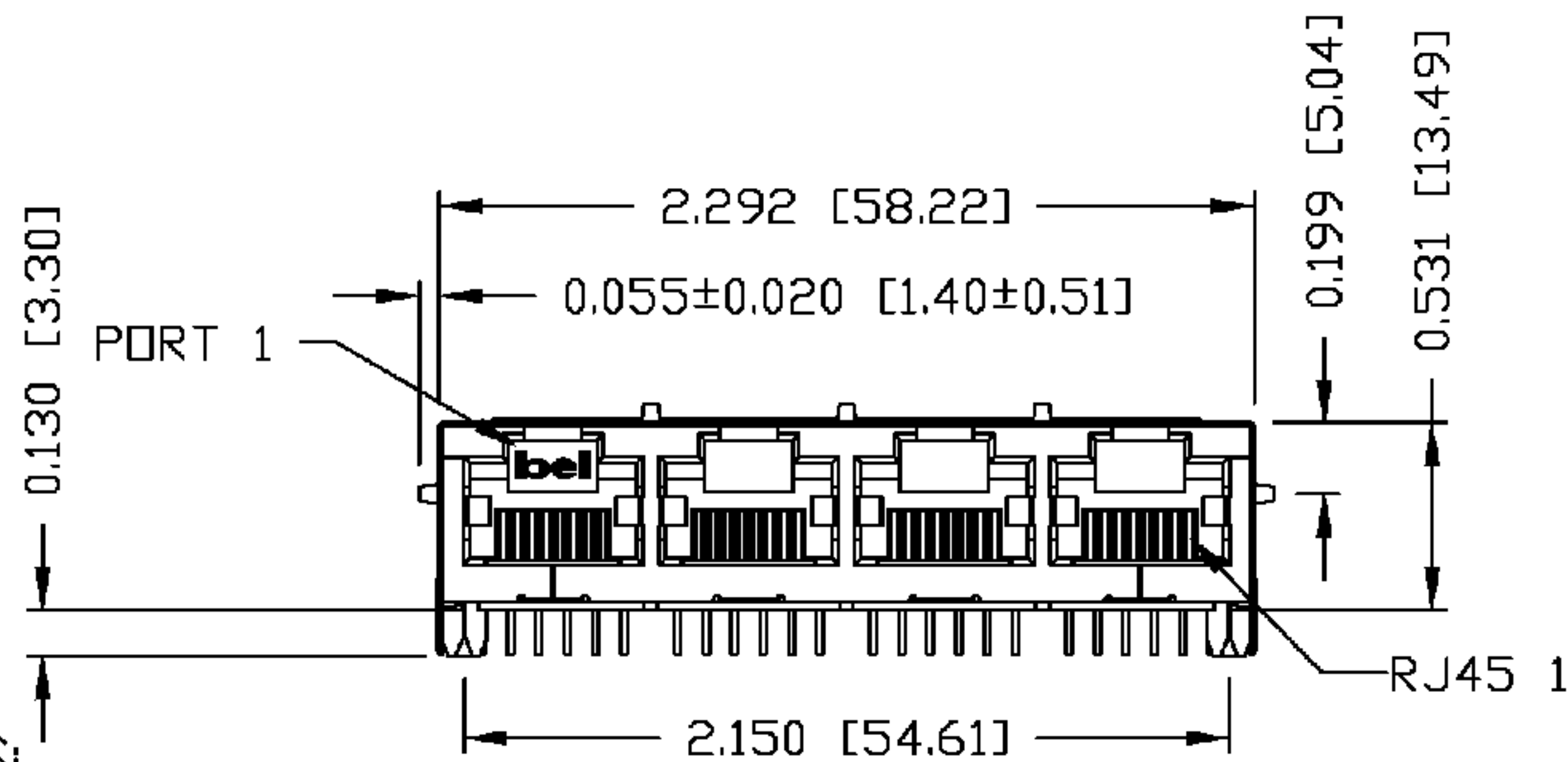
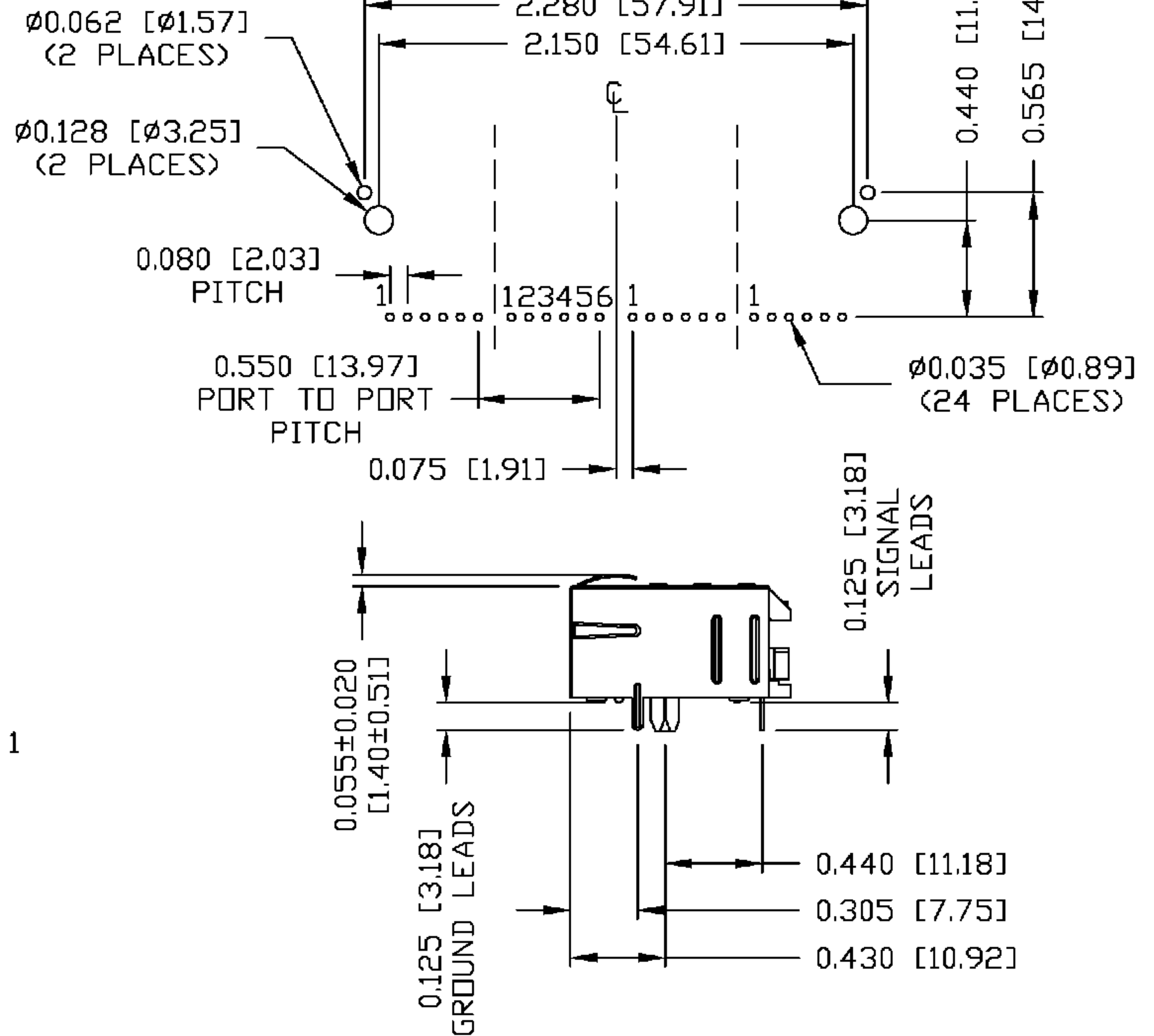
THE INFORMATION CONTAINED HEREIN IS CONSIDERED "PROPRIETARY" TO BEL FUSE INC. AND SHALL NOT BE COPIED, REPRODUCED OR DISCLOSED WITHOUT THE WRITTEN APPROVAL OF BEL FUSE INC.

PRELIMINARY

RoHS  
2002/95/EC



RECOMMENDED PCB FOOTPRINT  
COMPONENT SIDE VIEW



NOTES:

- PLASTIC HOUSING: THERMOPLASTIC PBT  
FLAMMABILITY RATING UL 94V-0
- CONTACTS PLATING: 15 MICRO-INCH HARD GOLD PLATING
- PINS: TIN-COATED COPPER WIRE, DIA 0.018 INCH.
- METAL SHIELD: NICKEL PLATED ON COPPER ALLOY.  
(ALL GROUND LEADS ARE SOLDER DIPPED)
- JACK CAVITY CONFORMS TO FCC RULES AND REGULATIONS.

1. MARK PART WITH MFG LOGO, MFG NAME, PART NUMBER, AND DATE CODE.

2. RoHS COMPLIANCE, PER EU DIRECTIVE 2002/95/EC.

ORIGINATED BY QIN	DATE 04-05-06	TITLE 1X4 MagJack® FOR MDIX	PART NO. / DRAWING NO. 08B11X4T36-F	STANDARD DIM. TOL. IN INCH .X	[ ] METRIC DIM. AS REFERENCE UNIT : INCH [mm]	REV. : PA
DRAWN BY TING	DATE 04-05-06	08B1-1X4T-36-F	FILE NAME 08B11X4T36-FPA.DWG	.XX	SCALE : N/A	SIZE : A4
				.XXX ±0.010		PAGE : 3

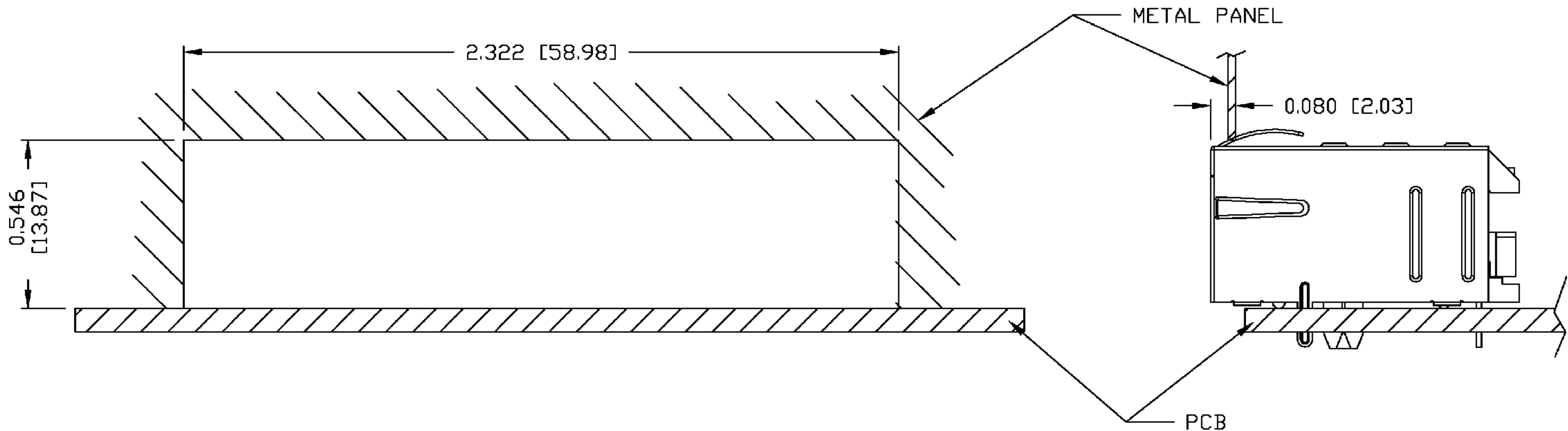


THE INFORMATION CONTAINED HEREIN IS CONSIDERED "PROPRIETARY" TO BEL FUSE INC. AND SHALL NOT BE COPIED, REPRODUCED OR DISCLOSED WITHOUT THE WRITTEN APPROVAL OF BEL FUSE INC.



SUGGESTED PANEL OPENING

PRELIMINARY



NOTES:

THE DISTANCE OF PANEL INSIDE SURFACE RELATIVE TO FRONT SURFACE OF PART IS ONLY A SUGGESTION. IN CASE THIS DISTANCE IS DIFFERENT, THE REQUIRED PANEL OPENING DIMENSIONS CHANGE ACCORDINGLY.

PACKING INFORMATION

PACKING TRAY : 0200-0148-17

PACKING QUANTITY : 30 PCS FINISHED GOODS PER TRAY.

10 TRAYS (300 PCS FINISHED GOODS) PER CARTON BOX.

NOTE : CARDBOARDS ARE PLACED BETWEEN LAYERS OF PACKING TRAY INSIDE CARTON BOX.

(INCLUDE THE UPPERMOST AND LOWERMOST TRAY)

ORIGINATED BY QIN	DATE 04-05-06	TITLE 1X4 MagJack® FOR MDIX 08B1-1X4T-36-F	PART NO. / DRAWING NO. 08B11X4T36-F		STANDARD DIM. TOL. IN INCH		[ ] METRIC DIM. AS REFERENCE	
	DRAWN BY TING		DATE 04-05-06	FILE NAME 08B11X4T36-FPA.DWG	.X .XX .XXX	±0.004	UNIT : INCH [mm] SCALE : N/A	REV. : PA SIZE : A4 PAGE : 4

