

RECOMMENDED PCB LAYOUT

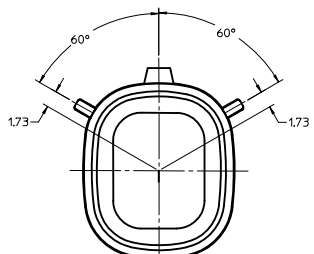
- NOTES:
1. TERMINAL MAT'L: ALLOY C26000, CARTRIDGE BRASS
 2. WAFER MAT'L: 30% GLASS FILLED LCP, 94V-0, COLOR BLACK.
 3. TERMINAL PLATING:
 - OPTION 4 - 1.54µm MIN MATTE TIN OVERALL OVER 1.25µm NICKEL OVERALL
 - OPTION 1 - 2.54µm MIN MATTE TIN OVERALL OVER 1.25µm NICKEL OVERALL
 - OPTION 2 - 1.25µm NICKEL OVERALL 2.54µm MIN SELECT MATTE TIN PC TAIL AREA 0.05-0.25µm SELECT GOLD CONTACT AREA
 - OPTION 3 - 1.25µm NICKEL OVERALL 2.54µm MIN SELECT MATTE TIN PC TAIL AREA 0.75µm SELECT GOLD CONTACT AREA
 4. HEADER ASSEMBLIES ARE TUBE PACKAGED PER PK-36518-340.
 5. ALL THE POSITIONAL TOLERANCES SHOULD BE MEASURED AT TIP OF THE TERMINALS.
 6. DATUMS SHOULD BE CONSIDERED FROM THE EDGES OF THE HOUSING.
 7. POSITION TOLERANCE OF PIN AT MATING SIDE SHOULD BE MAINTAINED AT 0.3MM IN THE FINAL MODULE BY CUSTOMER.
 8. [G] DENOTES DIMENSIONS THAT CAN BE QUALIFIED WITH A GAUGE
 9. **BLADE GEOMETRY DOES NOT CONFORM TO USCAR SPECIFICATIONS.**

Position Tol. del. added EC NO: 12017-0047 DRW:RGV CHKD: APPR:VUTTARKAR 2016/11/11 2017/01/24	QUALITY SYMBOLS	GENERAL TOLERANCES (UNLESS SPECIFIED)		DIMENSION STYLE MM ONLY		SCALE 4:1	DESIGN UNITS METRIC	THIRD ANGLE PROJECTION	
	▽=0	mm	INCH	DRAWN BY TMCLELL	DATE 1/18/05	TITLE			
	▽=0	4 PLACES ± ---	± ---	CHECKED BY TMCLELL	DATE 1/18/05	MX150 DUAL ROW UNSHROUDED VERTICAL HEADER ASSEMBLY 			
	▽=0	3 PLACES ± ---	± ---	APPROVED BY BANAK IS	DATE 1/18/05				
		2 PLACES ± 0.13	± ---	MATERIAL NO.		DOCUMENT NO.	SHEET NO.		
		1 PLACE ± 0.25	± ---	SEE CHART		SD-75757-002	1 OF 2		
		0 PLACE ±	±	DRAFT WHERE APPLICABLE MUST REMAIN WITHIN DIMENSIONS THIS DRAWING CONTAINS INFORMATION THAT IS PROPRIETARY TO MOLEX INCORPORATED AND SHOULD NOT BE USED WITHOUT WRITTEN PERMISSION					

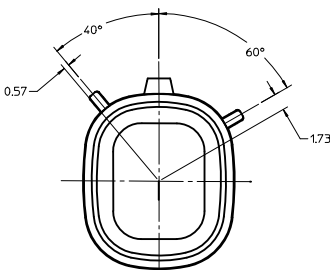
2 x 2	1	75757-5121	3.05	16.09	75757-1121	3.05	11.20	75757-1122	4.75	11.20	7.0	3.50 REF
	2	75757-5221			75757-1221			75757-1222				
	3	75757-5321			75757-1321			75757-1322				
	4	75757-5421			75757-1421			75757-1422				
2 x 3	1	75757-5131			75757-1131			75757-1132			10.5	7.00
	2	75757-5231			75757-1231			75757-1232				
	3	75757-5331			75757-1331			75757-1332				
	4	75757-5431			75757-1431			75757-1432				
2 x 4	1	75757-5141			75757-1141			75757-1142			14.0	10.50
	2	75757-5241			75757-1241			75757-1242				
	3	75757-5341			75757-1341			75757-1342				
	4	75757-5441			75757-1441			75757-1442				
2 x 6	1	75757-5161			75757-1161			75757-1162			21.0	17.50
	2	75757-5261			75757-1261			75757-1262				
	3	75757-5361			75757-1361			75757-1362				
	4	75757-5461			75757-1461			75757-1462				
2 x 8	1	75757-5181	75757-1181	75757-1182	28.0	24.50						
	2	75757-5281	75757-1281	75757-1282								
	3	75757-5381	75757-1381	75757-1382								
	4	75757-5481	75757-1481	75757-1482								
2 x 10	1	75757-5101	75757-1101	75757-1102	35.0	31.50						
	2	75757-5201	75757-1201	75757-1202								
	3	75757-5301	75757-1301	75757-1302								
	4	75757-5401	75757-1401	75757-1402								
CKT SIZE	PLATING OPTION	MATERIAL NUMBER	*C* DIM	*F* DIM	MATERIAL NUMBER	*C* DIM	*F* DIM	MATERIAL NUMBER	*C* DIM	*F* DIM	*A* DIM	*B* DIM

SEE SHEET 1 EC NO: I2017-0047 DRAWN BY: G CHKD: APPR: VITTARKAR 2017/04/24	QUALITY SYMBOLS ∇=0 ∇=0 ∇=0	GENERAL TOLERANCES (UNLESS SPECIFIED)		DIMENSION STYLE MM ONLY		SCALE 1:1	DESIGN UNITS METRIC	THIRD ANGLE PROJECTION	
				DRAWN BY TMCLELL	DATE 1/18/05	TITLE MX150 DUAL ROW UNSHROUDED VERTICAL HEADER ASSEMBLY			
				CHECKED BY TMCLELL	DATE 1/18/05	molex			
				APPROVED BY BANAKIS	DATE 1/18/05	MATERIAL NO. SEE CHART	DOCUMENT NO. SD-75757-002	SHEET NO. 2 OF 2	
		ANGULAR ±1/2°		DRAFT WHERE APPLICABLE MUST REMAIN WITHIN DIMENSIONS		THIS DRAWING CONTAINS INFORMATION THAT IS PROPRIETARY TO MOLEX INCORPORATED AND SHOULD NOT BE USED WITHOUT WRITTEN PERMISSION			

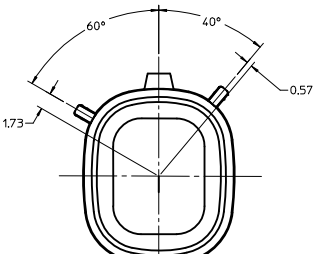
CUSTOMER SHROUD DESIGN DETAILS



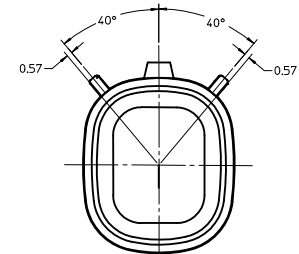
KEYING OPTION "A"
SUGGESTED COLOR: BLACK



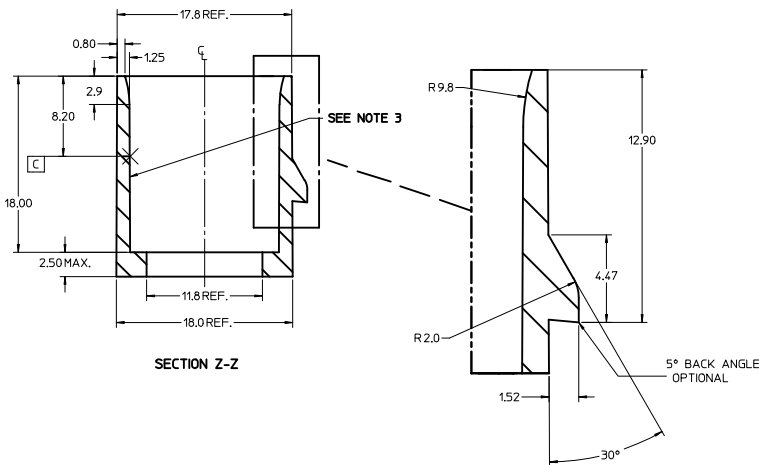
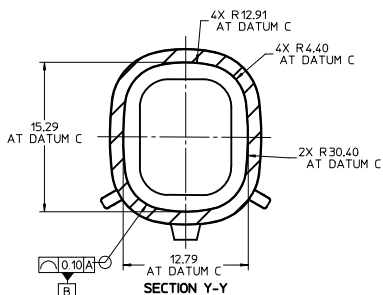
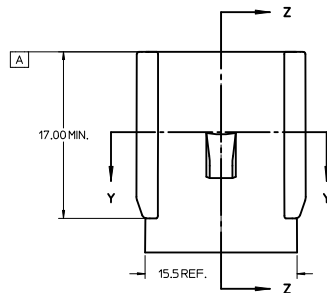
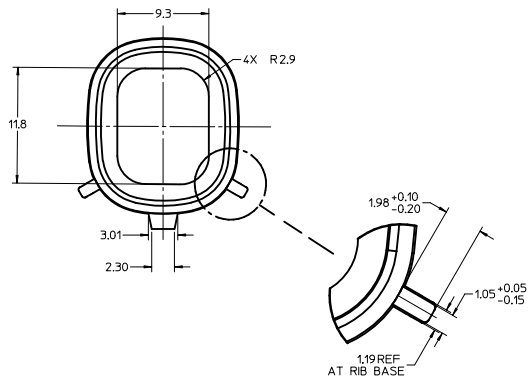
KEYING OPTION "B"
SUGGESTED COLOR: GREY



KEYING OPTION "C"
SUGGESTED COLOR: BROWN



KEYING OPTION "D"
SUGGESTED COLOR: GREEN

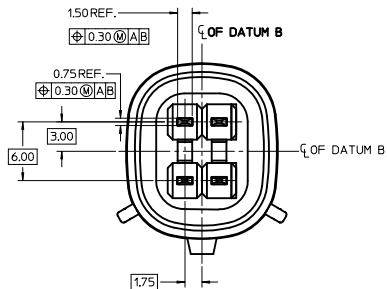


SECTION Z-Z

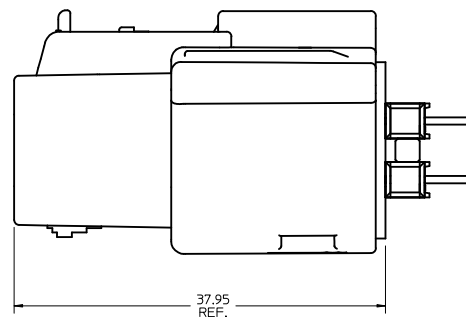
NOTES:

1. REFER TO MOLEX SALES DRAWING SD-75757-002 FOR THE HEADER ASSEMBLY PRODUCT DETAILS AND RECOMMENDED PCB LAYOUT.
2. KEYING OPTIONS A-D AND SUGGESTED COLORS COMPLY TO THE POLARIZATION STANDARDS ESTABLISHED FOR MATING WITH A MX150 FEMALE CONNECTOR.
3. INTERIOR SHROUD SURFACE MUST BE FREE OF DEFECTS AND PARTING LINES ALL AROUND TO ENSURE PROPER SEALING OF THE MATING MX150 FEMALE CONNECTOR.
4. A FULL SHROUD ON THE MATING CONNECTOR IS REQUIRED TO INSURE THE HEADER SHROUD POLARIZATION FEATURES (OPTIONS A-D) WILL FUNCTION PROPERLY. THE FULL SHROUD ALSO PREVENTS SCOOP DAMAGE TO THE HEADER CONTACTS.
5. PERMISSIBLE DRAFT ANGLE 0.25° MAXIMUM.
6. RADII ON ALL CORNERS SHOWN SHARP OR ALL UNSPECIFIED RADII 0.25 EXCEPT AS NOTED.
7. DIMENSIONS SHOWN ABOUT A CENTERLINE ARE SYMMETRICAL ABOUT THAT CENTERLINE WITHIN HALF THE SPECIFIED TOLERANCE.

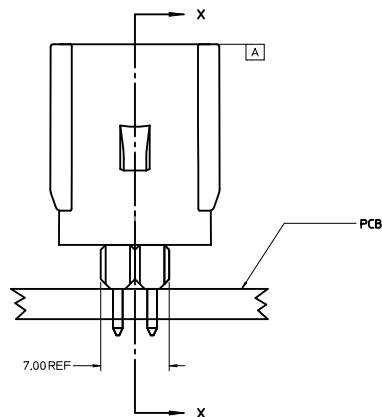
ADDED ASSY VIEW EC NO: UJCP2011-2680 DRAWN BY: DRWNDRSCA CHYD: APPR: JCOMERCL 2011/03/07	QUALITY SYMBOLS ▽=0 ▽=0		GENERAL TOLERANCES (UNLESS SPECIFIED)		DIMENSION STYLE MM ONLY		SCALE 4:1	DESIGN UNITS METRIC	THIRD ANGLE PROJECTION
	4 PLACES ± --- ± --- 3 PLACES ± --- ± --- 2 PLACES ± 0.01 ± --- 1 PLACE ± 0.2 ± ---		mm INCH		DRAWN BY: JJANTELEZIO 05/08/2006 CHECKED BY: DATE TMCLELL 05/08/2006 APPROVED BY: DATE BANAKIS 05/08/2006		MATERIAL NO: 75757-2020		DOCUMENT NO: AS-75757-202
	DRAFT WHERE APPLICABLE MUST REMAIN WITHIN DIMENSIONS		ANGULAR ±1/2°		MOLEX INCORPORATED		SHEET NO. 1 OF 2		APPLICATION SPEC 2X2 MX150 HEADER SHROUD DETAILS
	SIZE D		THIS DRAWING CONTAINS INFORMATION THAT IS PROPRIETARY TO MOLEX INCORPORATED AND SHOULD NOT BE USED WITHOUT WRITTEN PERMISSION		MOLEX INCORPORATED		MOLEX INCORPORATED		MOLEX INCORPORATED



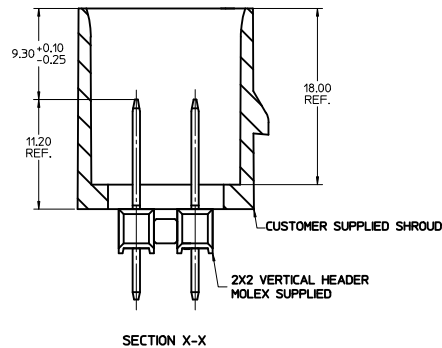
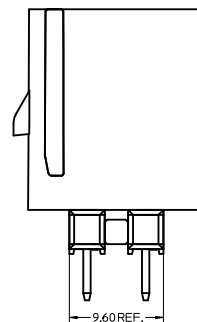
NOTES:
 1. ADHERENCE TO THE HEADER APPLICATION DETAILS IS IMPERATIVE TO ENSURE PROPER SHROUD SEALING AND CONTACT ALIGNMENT WHEN MATED WITH A MX150 FEMALE CONNECTOR.



CONNECTOR ASSEMBLY



HEADER APPLICATION DETAILS



SEE SHT 1 IEC NO: UCP2011-2680 DRAWN BY: DRWN:ROSICA CHKD: APPR: JCOMERCL 2011/03/04 2011/03/07	QUALITY SYMBOLS	GENERAL TOLERANCES (UNLESS SPECIFIED)	DIMENSION STYLE	SCALE	DESIGN UNITS	THIRD ANGLE PROJECTION	
	$\nabla=0$	mm INCH	MM ONLY	4:1	METRIC	Ø \square	
	$\nabla=0$	4 PLACES \pm --- \pm --- 3 PLACES \pm --- \pm --- 2 PLACES ± 0.01 \pm --- 1 PLACE ± 0.2 \pm --- ANGULAR $\pm 1/2^\circ$	DRAWN BY: JJANTELEZIO CHECKED BY: TMCLELL APPROVED BY: BANAKIS	DATE: 05/08/2006 DATE: 05/08/2006 DATE: 05/08/2006	TITLE: APPLICATION SPEC 2X2 MX150 HEADER SHROUD DETAILS	MATERIAL NO: 75757-2020	DOCUMENT NO: AS-75757-202
	DRAFT WHERE APPLICABLE MUST REMAIN WITHIN DIMENSIONS	SIZE D	MOLEX INCORPORATED SHEET NO. 2 OF 2 THIS DRAWING CONTAINS INFORMATION THAT IS PROPRIETARY TO MOLEX INCORPORATED AND SHOULD NOT BE USED WITHOUT WRITTEN PERMISSION				