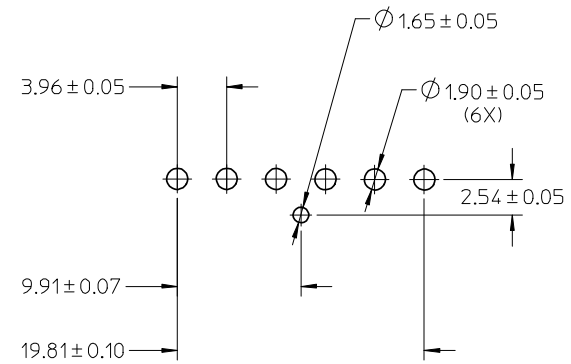
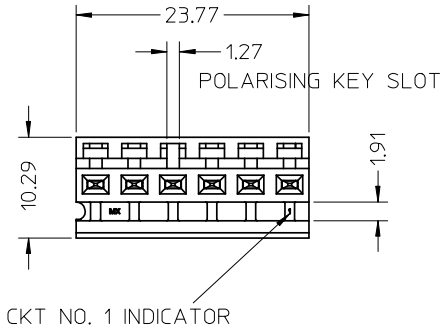
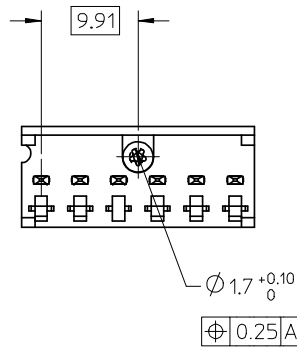
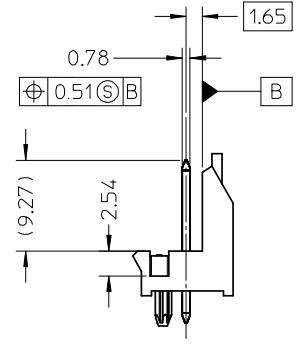
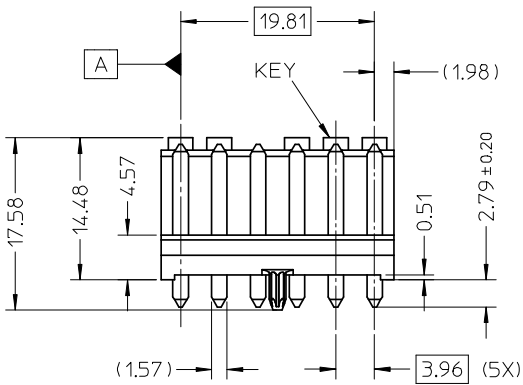


10 9 8 7 6 5 4 3 2 1



RECOMENDED PCB LAYOUT



- NOTES:
- AXIAL PIN PUSHOUT FORCE: 2LBS (0.91 KG) MIN.
  - MATERIALS:  
PIN - BRASS, ALLOY 260  
PLATING - POST ELECTRO-PLATE 5.08 $\mu$ M MIN TIN OVER 1.27 $\mu$ M MIN TIN OVERALL, MATTE FINISH (AS PER ES-88-224 CODE)  
WAFER - CODE "P": POLYESTER, 15% GF, 94V-0,COLOR:BK
  - PS-8619 APPLIES
  - NO POLARIZING KEY AT CIRCUIT #4

<b>ENTER DESCRIPTION</b> EC NO: I2008-0572 DRWN:RRANGAPPA01 2008/04/10 CHKD:KPRASAD 2008/04/10 APPR:KPRASAD 2008/04/10	<b>QUALITY SYMBOLS</b> ▽=0 ▽=0	GENERAL TOLERANCES (UNLESS SPECIFIED)		DIMENSION STYLE <b>MM ONLY</b>		SCALE <b>2:1</b>	DESIGN UNITS <b>METRIC</b>	THIRD ANGLE PROJECTION			
		4 PLACES $\pm$ --- $\pm$ ---	mm INCH	DRAWN BY RAGHU	DATE 2008/04/04	TITLE <b>HEADER SINGLE ROW 3.96MM PITCH</b>					
		3 PLACES $\pm$ --- $\pm$ ---	$\pm$ 0.25 $\pm$ ---	CHECKED BY KPRASAD	DATE 2008/04/04	MOLEX INCORPORATED					
		2 PLACES $\pm$ 0.25 $\pm$ ---	$\pm$ 0.35 $\pm$ ---	APPROVED BY KPRASAD	DATE 2008/04/04	MATERIAL NO. <b>366420001</b>		DOCUMENT NO. <b>SDA-8619-0609</b>	SHEET NO. <b>1 OF 1</b>		
DRAFT WHERE APPLICABLE MUST REMAIN WITHIN DIMENSIONS		ANGULAR $\pm$ 1 °		THIS DRAWING CONTAINS INFORMATION THAT IS PROPRIETARY TO MOLEX INCORPORATED AND SHOULD NOT BE USED WITHOUT WRITTEN PERMISSION							

9 8 7 6 5 4 3 2 1