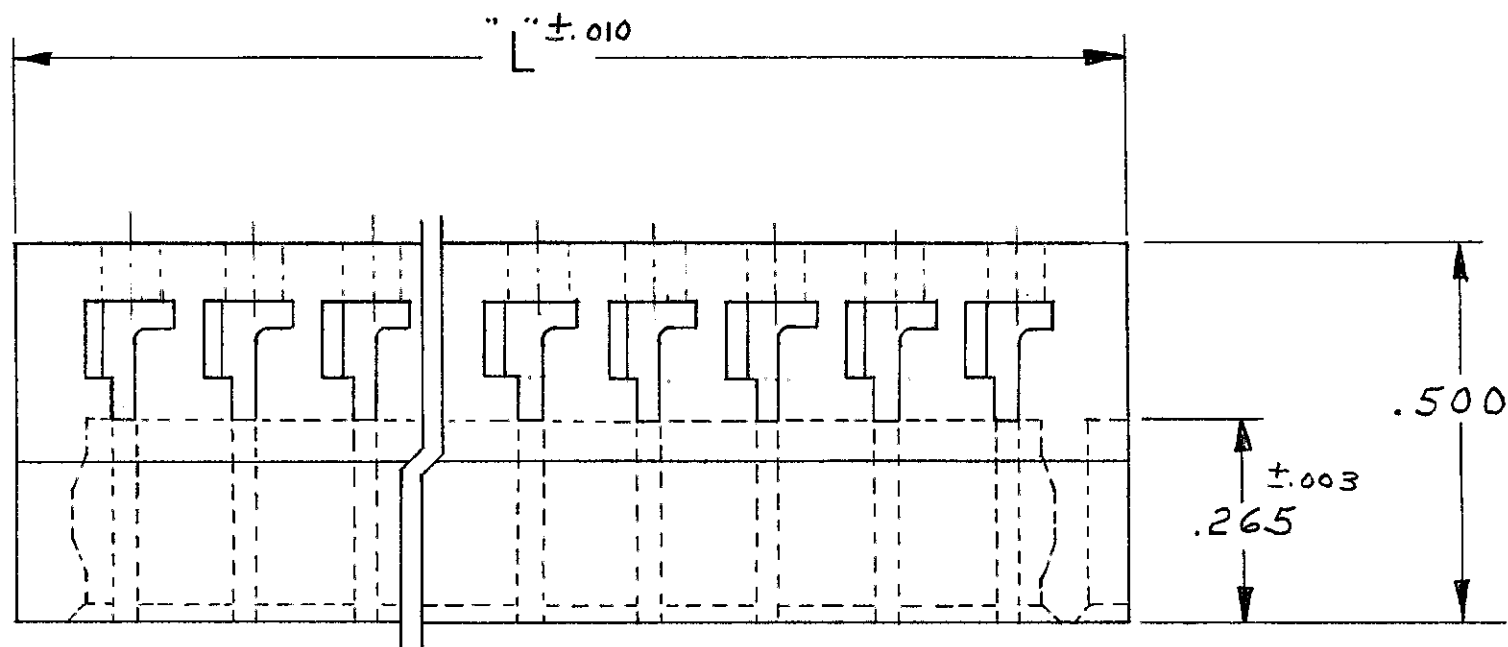
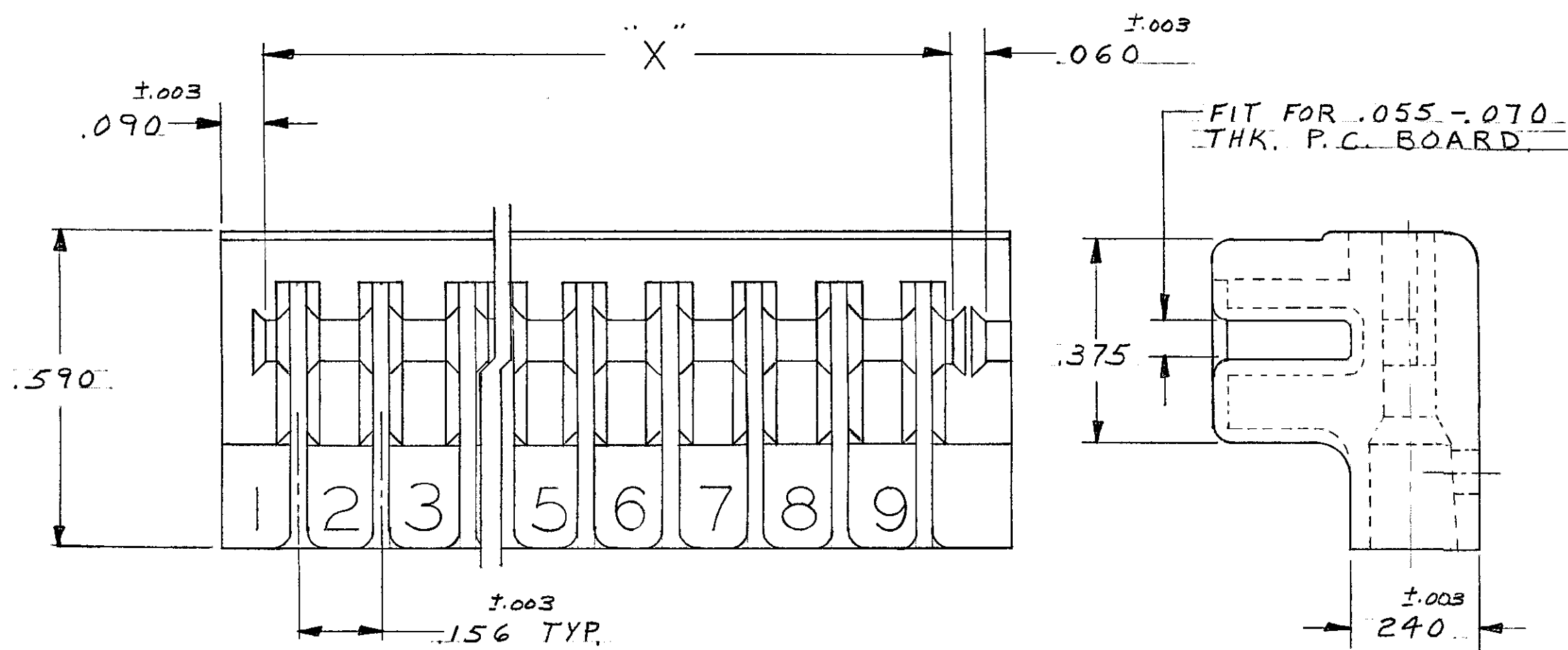


© COPYRIGHT 1976 BY AMP INCORPORATED, HARRISBURG, PA. ALL INTERNATIONAL RIGHTS RESERVED. AMP INCORPORATED PRODUCTS COVERED BY U. S. AND FOREIGN PATENTS AND/OR PATENTS PENDING.

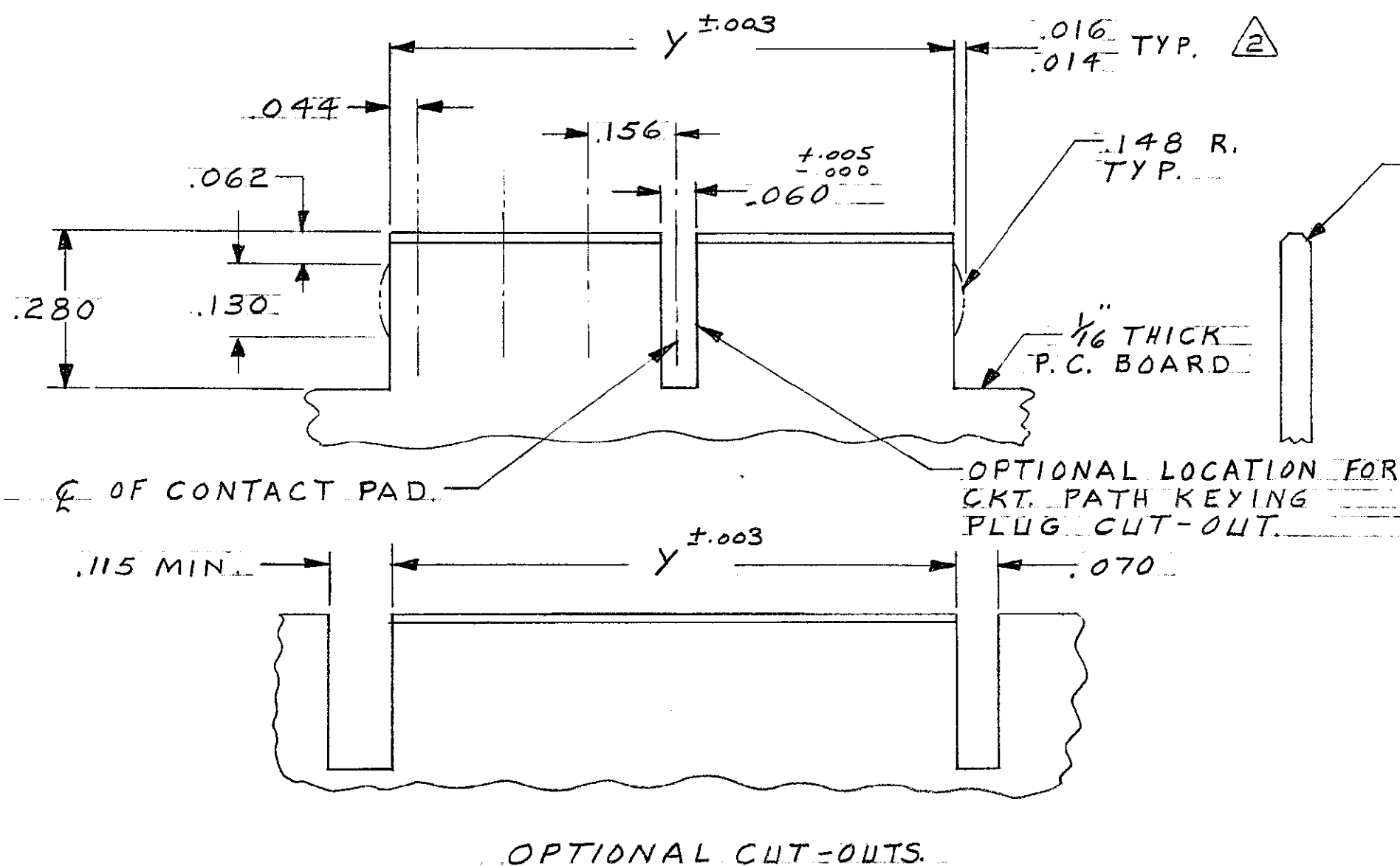
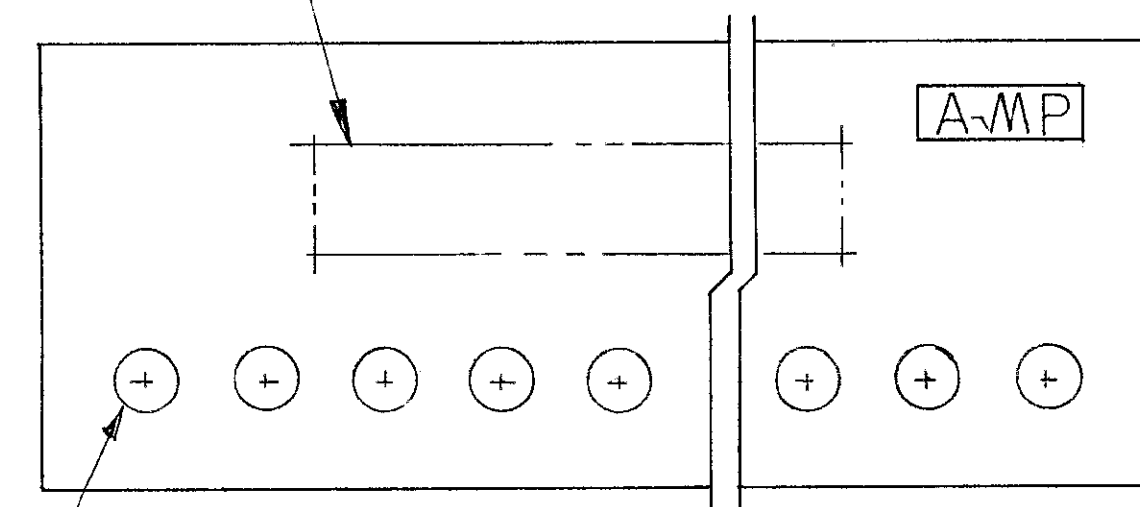
| REVISIONS |   |      |     |                        |               |
|-----------|---|------|-----|------------------------|---------------|
| P         | F | ZONE | LTR | DESCRIPTION            | DATE APPROVED |
| 0         | ✓ |      |     | RELEASED WAC 5125-90   |               |
| 1         | ✓ |      | A   | OBSOLETE AD3686        | 8/89 CP JJP   |
| 2         | ✓ |      | B   | REV PER 0010-1143-55   | 11/95 P.B.    |
| 3         |   |      | C   | REV PER EC 0G3C-233-01 | 02OCT01 MM    |



1. REFER TO 60215, 583284 & 530501 FOR TERMINALS.
2. THE RETAINING DIMPLES ARE OPTIONAL IN BOTH CUT-OUTS.
3. CONTACT CAVITIES ENLARGED FOR 18-16AWG LEADS WITH MAXIMUM INSULATION DIA. OF .130.



AMP, PART NO. & DATE CODE MARKED OR MOLDED APPROX. AREA. DATE CODE (OPT.)



|          |       |       |       |      |          |
|----------|-------|-------|-------|------|----------|
| OBSOLETE | 1.805 | 2.028 | 1.818 | 12   | 530555-3 |
|          | 1.337 | 1.560 | 1.350 | 9    | 530555-2 |
|          | .400  | .624  | .414  | 3    | 530555-1 |
|          | Y     | L     | X     | POS. | PART NO  |

|  |                   |   |   |
|--|-------------------|---|---|
| UNLESS OTHERWISE SPECIFIED DIMENSIONS ARE IN INCHES.<br>TOLERANCES ON:<br>DECIMALS ±.005<br>ANGLES ± | CONTRACT NO       | AMP INCORPORATED<br>Harrisburg, Pa.                   |   |
|  | MATERIAL<br>NYLON |   |   |
| FINISH<br>#  | DSGN APPD         | NAME<br>HOUSING, DUO-TYNE FLAG WITH TEST PROBE ACCESS | SIZE CODE IDENT NO DRAWING NO<br>C 00779 530555 |
|  | OTHER APPD        | SCALE 4-1   | SHEET 1 OF 1                                    |

CUST. 530555