

Product Information

SFP-S53-20-W Series

100M SFP Modules



Features

- ❖ Single + 3.3 V power Supply
- ❖ Small Form Factor Pluggable MSA Compliant.
- ❖ PECL Differential Inputs and Output
- ❖ TTL Signal Detect Indicator.
- ❖ For Single Mode Applications
- ❖ Compliant with SONET / SDH Standard
- ❖ LC Duplex Connector
- ❖ Class 1 Laser International Safety Standard IEC 825 Compliant
- ❖ Bi-directional Linking Distance Up to 20 km.
- ❖ Industrial Operation Temp.: -40°C to +85 °C
- ❖ RoHS Compliant

HENRICHTM
Henrich Electronics Corporation

Main Office

Tel: 860-487-9869

Fax: 860-487-9478

www.henrich-inc.com

Introduction

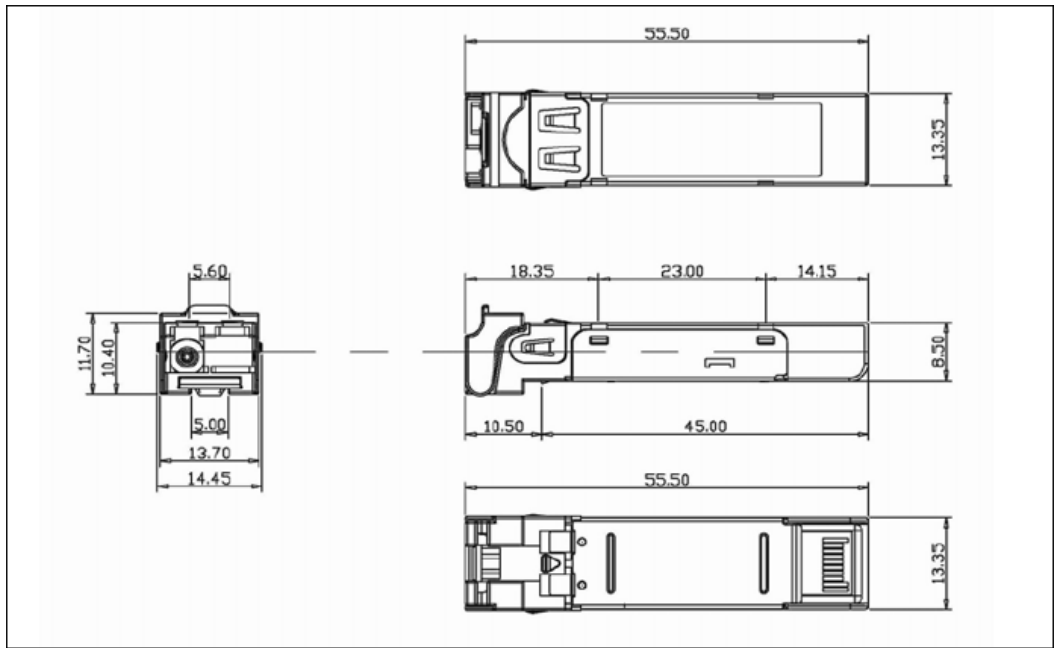
The transceiver from Henrich is a small form factor pluggable module for serial optical data communications applications, specifying SONET OC-3 / SDH STM-1 / IEEE 802.3u. This module is designed for single mode fiber with cost-effective and high performance by using 1310 nm transmitter and 1550 nm receiver. It is with the SFP 20-pin connector to allow hot plug capability.

Specifications

| Absolute Maximum Ratings | |
|--|---------------------------|
| Supply Voltage | 0~5V |
| Storage Temperature | -40 to +85°C |
| Operating Temperature | 0 to +70°C |
| Lead Soldering Limits | MAX: 260/10°C /sec |
| General Specifications | |
| Data Rate | Typ: 155Mbps |
| Supported Link Length on 9/125µm SMF | 20Km |
| Transmitter Electrical Characteristics | |
| Supply Voltage | 3.15 to 3.45V, type:3.3V |
| Data Differential Input Voltage | 300 to 1600mV |
| Disable Input Voltage | -1.81 to -1.48V |
| Enable Input Voltage | -1.16 to -0.88V |
| Transmitter Optical Characteristics | |
| Output Optical Power on 9µm SMF : | -14 to -8dBm |
| Center Wavelength : | 1530 to 1570nm, Type:1550 |
| Spectral Width (RMS) | Type: 2nm |
| Optical Rise Time (20%-80%) | Max: 2ns |
| Optical Fall Time (20%-80%) | Max: 2ns |
| Extinction Ratio | Min: 10dB |

| Receiver Electrical Characteristics | |
|-------------------------------------|--------------------------|
| Supply Voltage | 3.15 to 3.45V, type:3.3V |
| Data Differential Output Voltage | 300 to 1000mV |
| Data Output Rise Time (20%-80%) | Max: 0.35ns |
| Data Output Fall Time (20%-80%) | Max: 0.35ns |
| Receiver Optical Characteristics | |
| Maximum Receiver Power | Min: -3dBm |
| Receiver Sensitivity | Type: -34dBm |
| Operating Wavelength | 1250 to 1350nm |
| Signal Detect-Asserted | Max:- 34dBm avg. |
| Signal Detect-Deasserted | Min: -46dBm avg. |
| Signal Detect-Hysteresis | Min:0.5dB |

Dimension drawings



Units:mm

Ordering Information

| | |
|--------------|---|
| SFP-S35-20-W | Single Mode Fiber Port with LC Connector, 20KM, RX1550nm, Industrial Wide Temperature:-40°C to +75°C. |
|--------------|---|